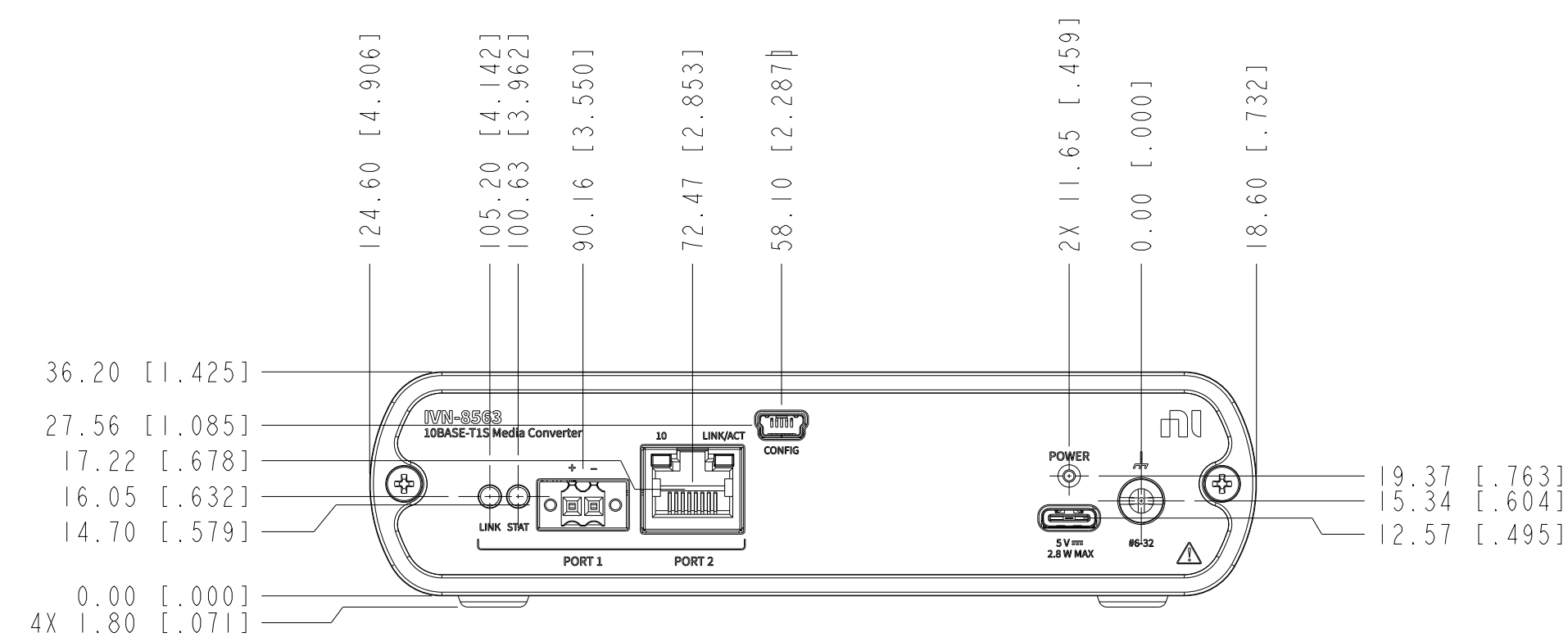
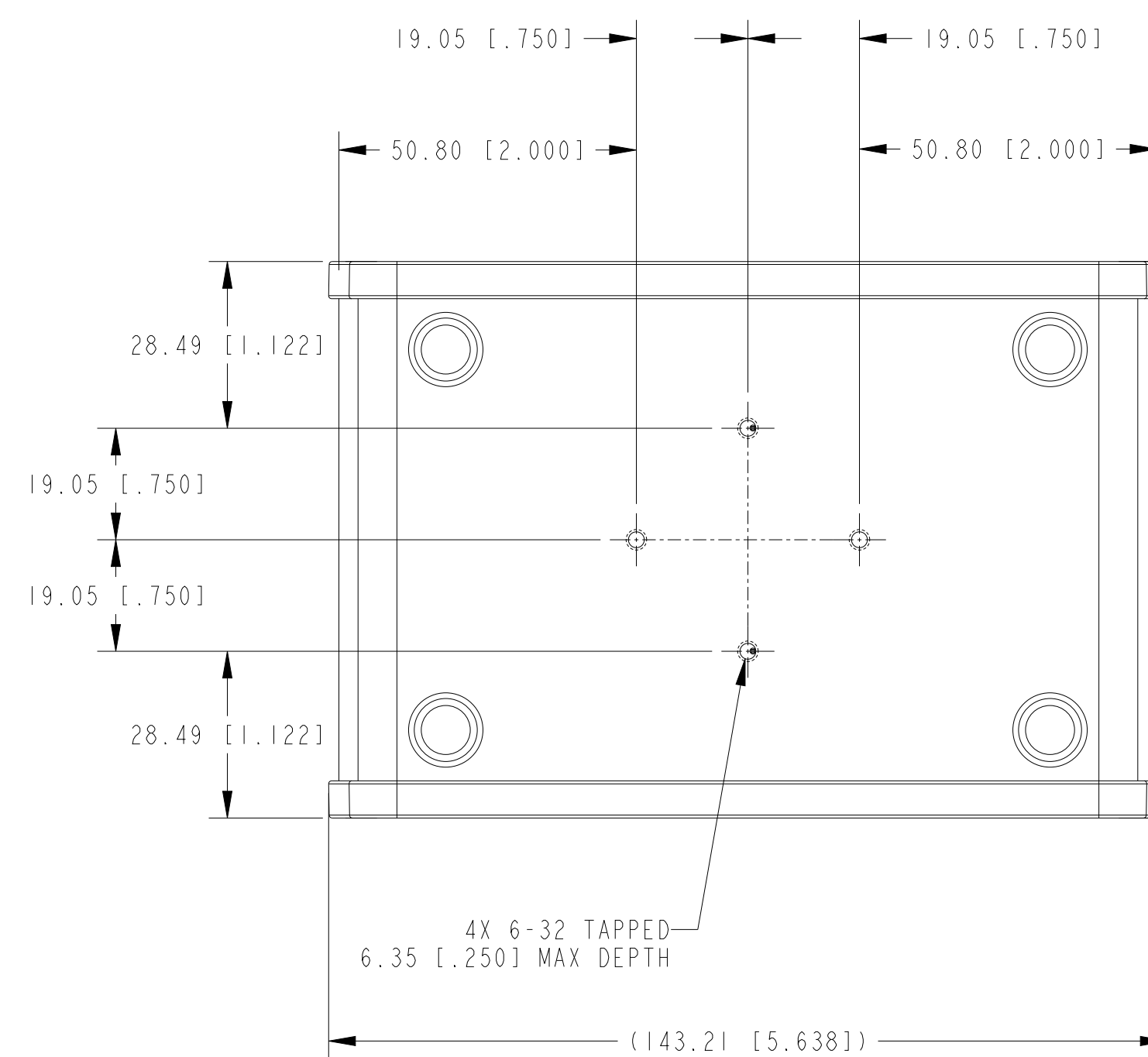
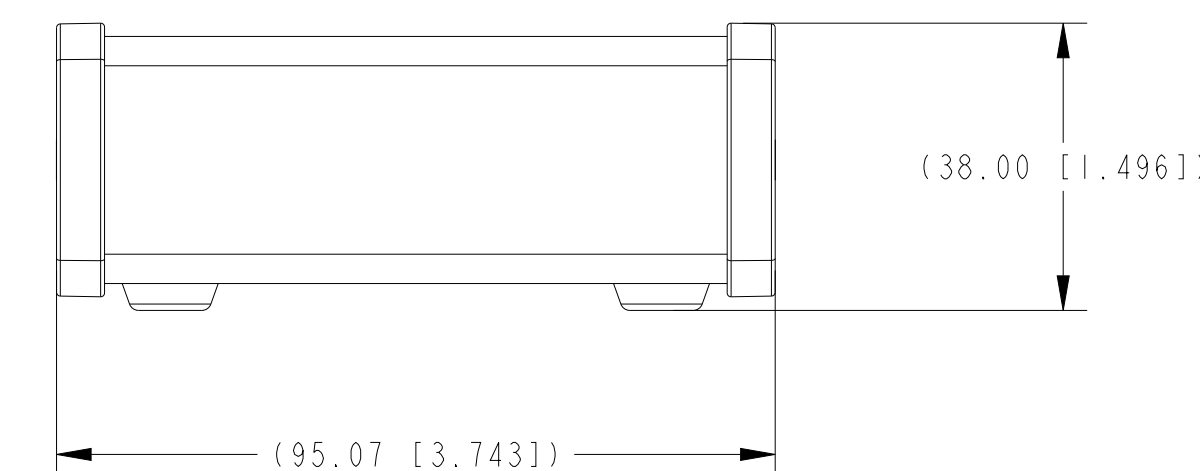


ISOMETRIC VIEW



FRONT VIEW



BOTTOM VIEW

2. DIMENSIONS IN () ARE FOR REFERENCE ONLY.
 1. REFER TO PRODUCT MANUAL ON NI.COM FOR MORE DETAILS
 NOTES: UNLESS OTHERWISE SPECIFIED.

METRIC

CUSTOMER DRAWING

UNLESS OTHERWISE SPECIFIED
 DIMENSIONS ARE IN MILLIMETERS
 AND [INCHES]

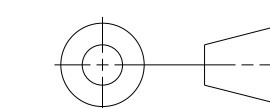


NI.COM
 AUSTIN, TEXAS

DO NOT SCALE DRAWING
 THIRD ANGLE PROJECTION

TITLE

IVN-8563



SIZE CODE IDENT NO. MM/DD/YYYY
 D 7U296 08/19/2024

SCALE: 1/1

SHEET 1 OF 1

CU.IVN-8563