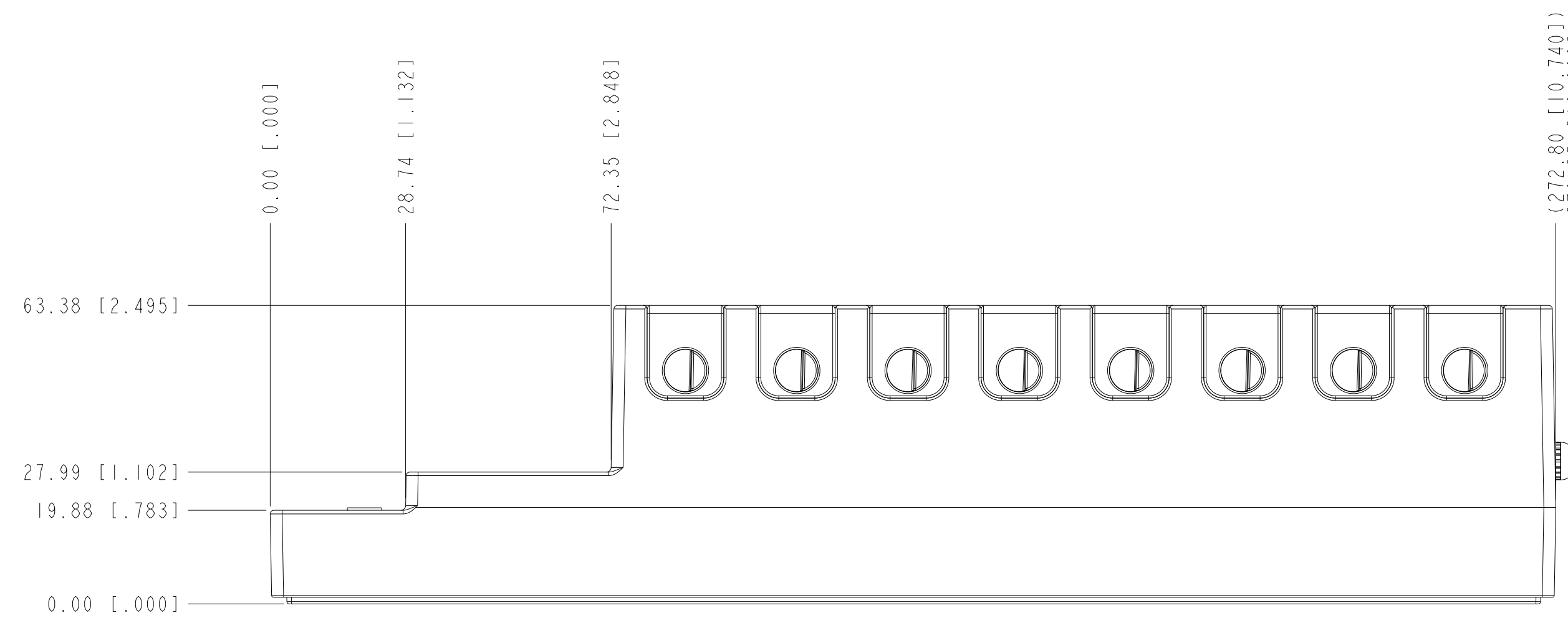
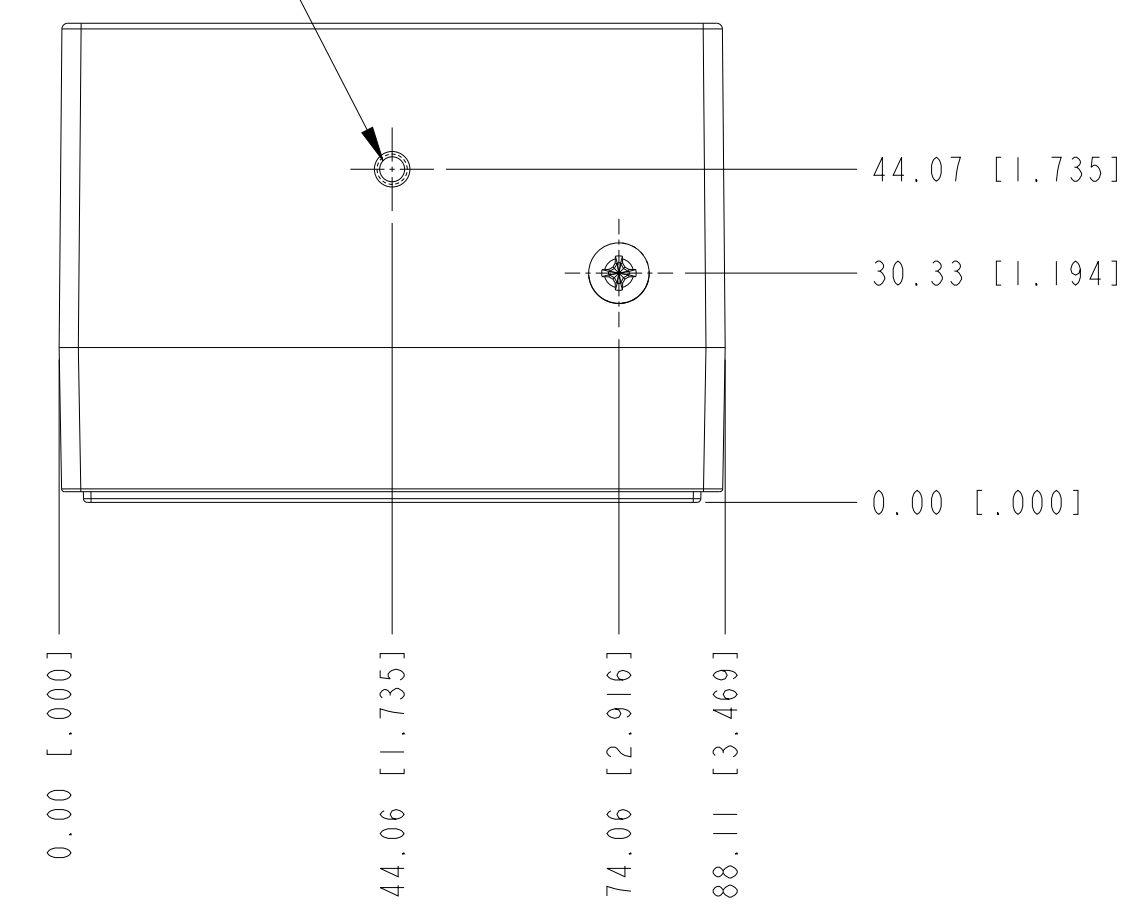


ISOMETRIC VIEW



2X M4 X 0.7, 5.0 [.20]
 MAX INSERTION DEPTH



2. DIMENSIONS IN () ARE FOR REFERENCE ONLY.
 1. REFER TO PRODUCT MANUAL ON NI.COM FOR MORE DETAILS
 NOTES: UNLESS OTHERWISE SPECIFIED.

METRIC		CUSTOMER DRAWING	
UNLESS OTHERWISE SPECIFIED DIMENSIONS ARE IN MILLIMETERS AND INCHES)		NI.COM AUSTIN, TEXAS	
		TITLE cDAQ-9187	
DO NOT SCALE DRAWING THIRD ANGLE PROJECTION		SIZE CODE IDENT NO. MM/DD/YYYY D 7U296 11/13/2024	
		SCALE: 1/1	SHEET 1 OF 1