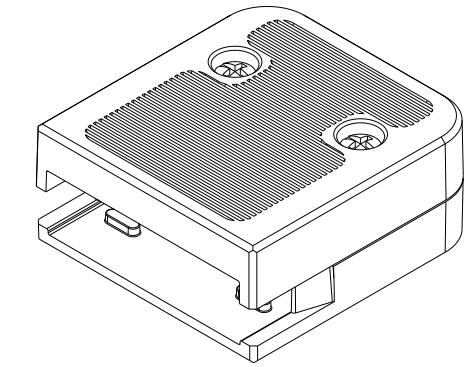
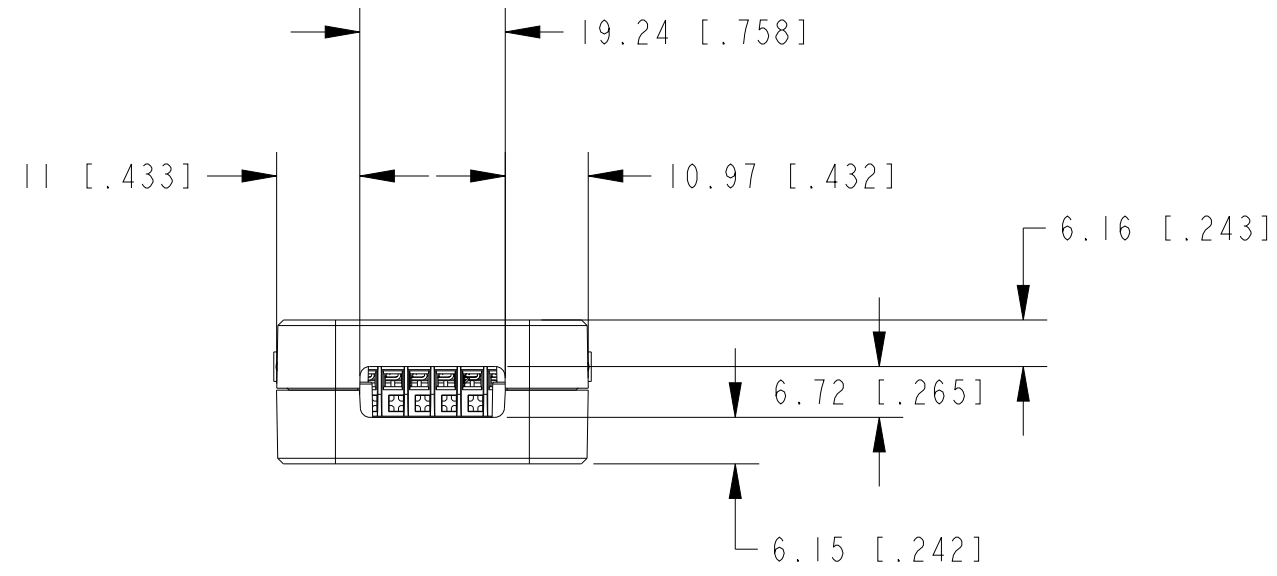
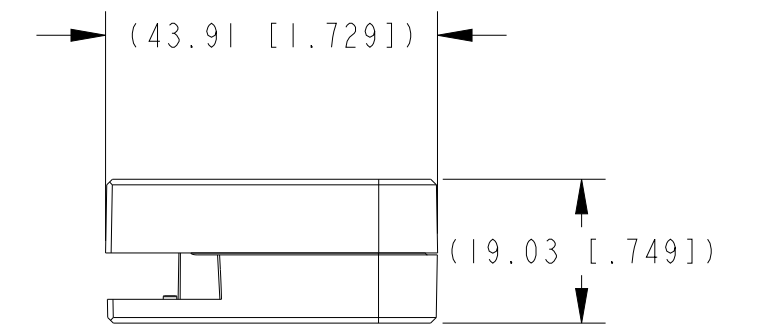
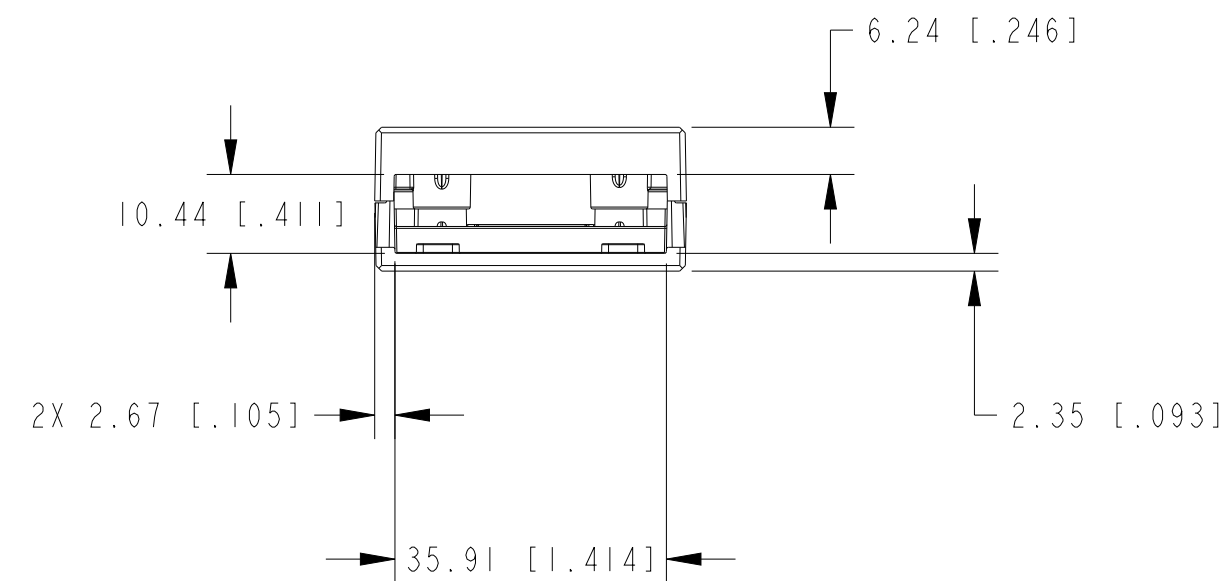
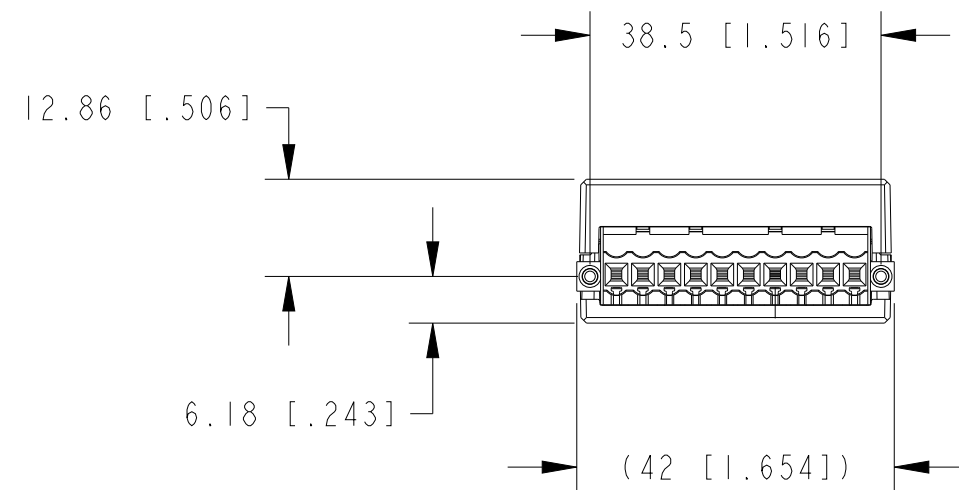
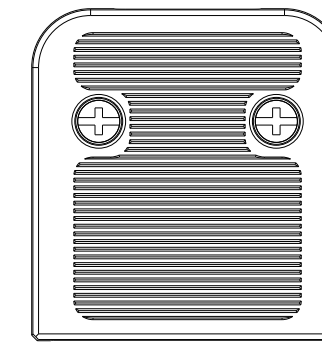
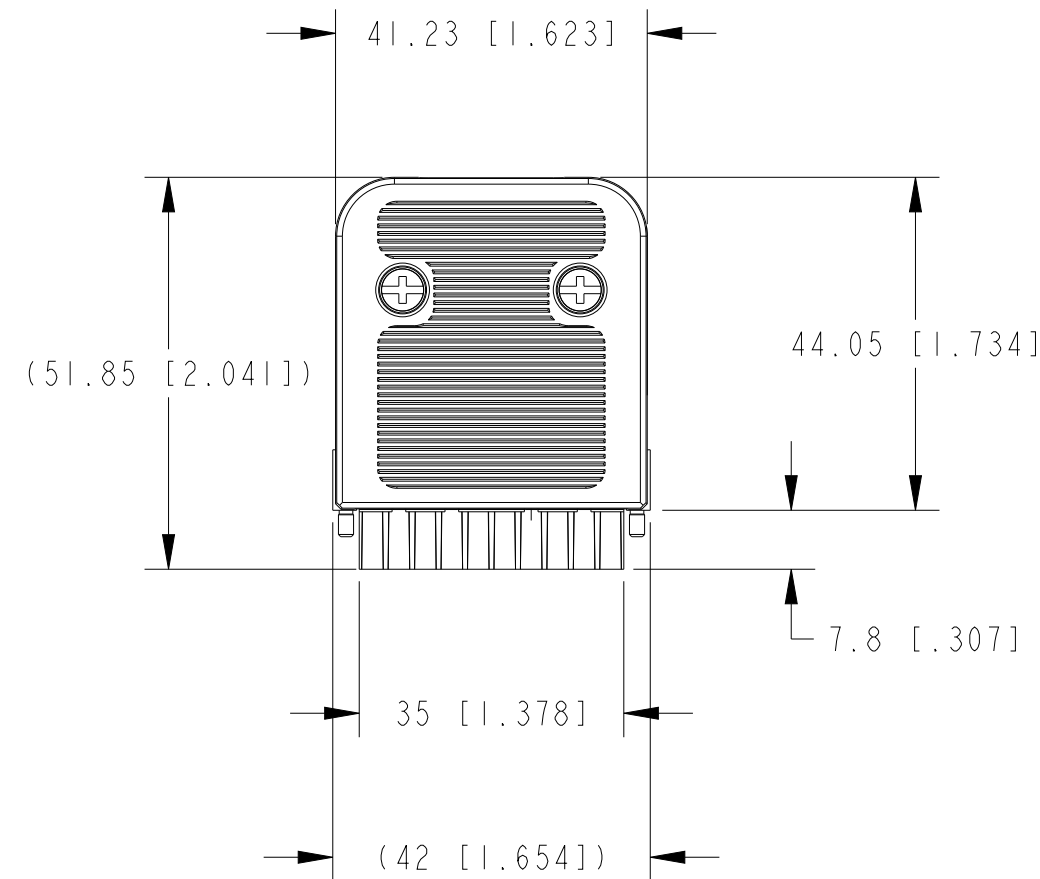


ISOMETRIC VIEW
 WITH 10 PIN CONNECTOR



ISOMETRIC VIEW
 BACKSHELL ONLY



METRIC

CUSTOMER DRAWING

UNLESS OTHERWISE SPECIFIED
 DIMENSIONS ARE IN MILLIMETERS
 AND [INCHES]



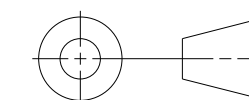
NI.COM
 AUSTIN, TEXAS

DO NOT SCALE DRAWING

TITLE

NI-9210 SPRING TERMINAL
 BACKSHELL

THIRD ANGLE PROJECTION



SIZE CODE IDENT NO. MM/DD/YYYY

C7U296

01/26/2023

SCALE: 1/1

SHEET 1 OF 1

2. DIMENSIONS IN () ARE FOR REFERENCE ONLY.
 1. REFER TO PRODUCT MANUAL ON NI.COM FOR MORE DETAILS
 NOTES: UNLESS OTHERWISE SPECIFIED.