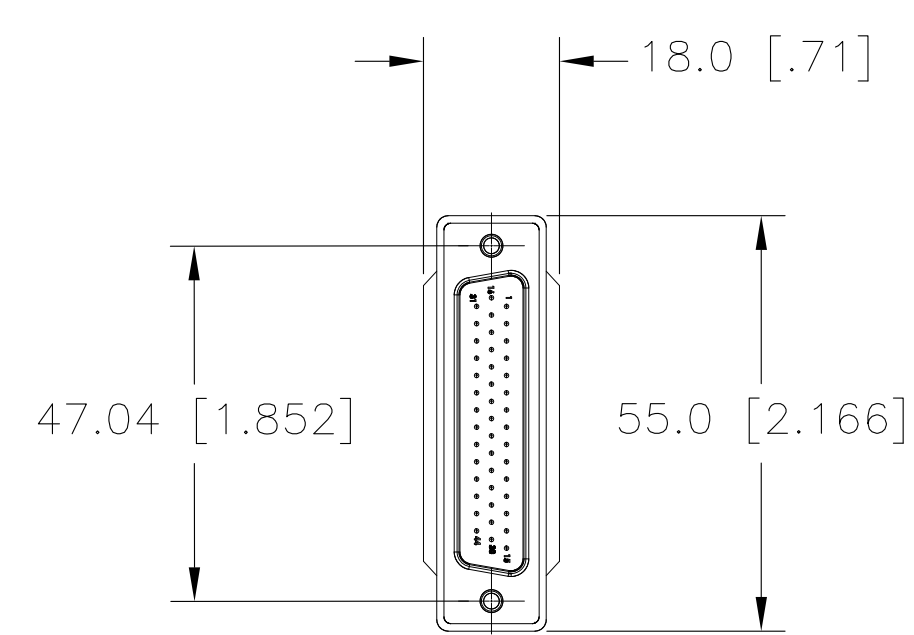
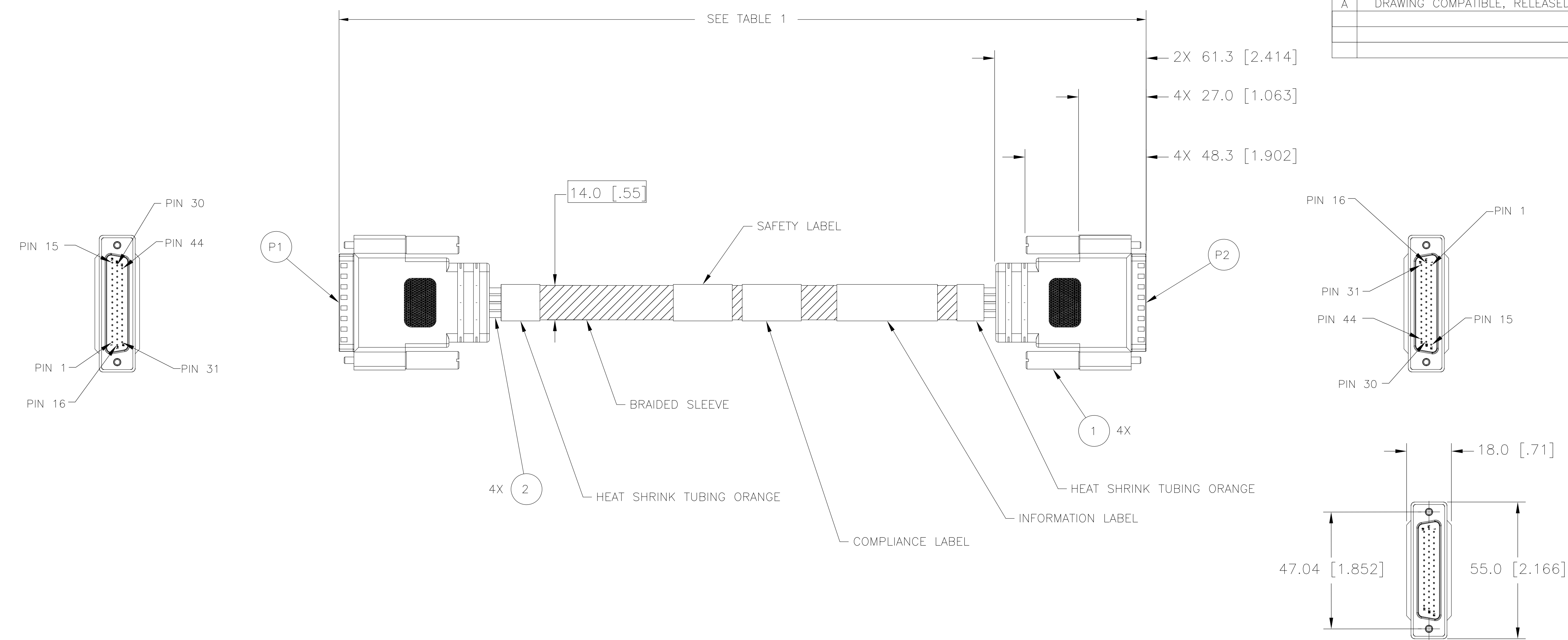


CUSTOMER DRAWING COMPATIBILITY			
REV	DESCRIPTION	DATE	APPROVED
A	DRAWING COMPATIBLE, RELEASED	11/07/23	



CONNECTORS AND HARDWARE	
REF DES	DESCRIPTION
P1, P2	44-POSITION HIGH-DENSITY DSUB, MALE
1	#4-40 UNC THUMBSCREWS, METAL, SLOTTED AND KNURLED

TABLE 1	
LENGTH	TOLERANCE
<2M	±50 mm
2 TO 5M	±100 mm
>5M	±150 mm

CABLE DETAILS				
REF DES	CONSTRUCTION	CONDUCTORS	INSULATION	JACKET
2	4 SHIELDED TWISTED PAIRS, 2 UNSHIELDED STRAIGHT, WITH OVERALL SHIELD	24 AWG TINNED STRANDED COPPER (41/0.08MM, 0.60MM OD)	0.23MM THICK SRPVC, 1.15MM OD	0.60MM THICK PVC, 7.00MM OD

METRIC CUSTOMER DRAWING

UNLESS OTHERWISE SPECIFIED DIMENSIONS ARE IN MILLIMETERS AND [INCHES]

NI.COM AUSTIN, TEXAS

TITLE: SHDB44M-DB44M DIFF

DO NOT SCALE DRAWING THIRD ANGLE PROJECTION

SIZE CODE IDENT NO. DRAWING NO. D 7U296 115203-XX

SCALE: 1/1 SHEET 1 OF 2

1. REFER TO PRODUCT MANUAL ON NI.COM FOR MORE DETAILS.
 NOTES: UNLESS OTHERWISE SPECIFIED.

WIRE LIST

LEAD	PAIR	P1	P2	COLOR	SIGNAL	COND.	NOTES	
1	0	1	1	YELLOW	A	C0		
		16	16	BLUE	B	C1		
		NC	NC	N/A	CHSGND	SHIELD_0	SHORTED IN CABLE TO OUTER SHIELD	
	N/A	33	33	WHITE	I (REF)	C2		
		1	2	2	ORANGE	C	C3	
			17	17	PURPLE	D	C4	
	2	NC	NC	N/A	CHSGND	SHIELD_1	SHORTED IN CABLE TO OUTER SHIELD	
		3	3	GRAY	E	C5		
		18	18	RED	F	C6		
	N/A	NC	NC	N/A	CHSGND	SHIELD_2	SHORTED IN CABLE TO OUTER SHIELD	
		19	19	BLACK	J (AUX)	C7		
		32	32	BROWN	G	C8		
3	31	31	GREEN	H	C9			
	NC	NC	N/A	CHSGND	SHIELD_3	SHORTED IN CABLE TO OUTER SHIELD		
	N/A	SHELL	SHELL	SHIELD/DRAIN	CHSGND	OUTER SHIELD		
2	0	5	5	YELLOW	A	C10		
		20	20	BLUE	B	C11		
		NC	NC	N/A	CHSGND	SHIELD_4	SHORTED IN CABLE TO OUTER SHIELD	
	N/A	34	34	WHITE	I (REF)	C12		
		1	6	6	ORANGE	C	C13	
			21	21	PURPLE	D	C14	
	2	NC	NC	N/A	CHSGND	SHIELD_5	SHORTED IN CABLE TO OUTER SHIELD	
		7	7	GRAY	E	C15		
		22	22	RED	F	C16		
	N/A	NC	NC	N/A	CHSGND	SHIELD_6	SHORTED IN CABLE TO OUTER SHIELD	
		4	4	BLACK	J (AUX)	C17		
		36	36	BROWN	G	C18		
3	35	35	GREEN	H	C19			
	NC	NC	N/A	CHSGND	SHIELD_7	SHORTED IN CABLE TO OUTER SHIELD		
	N/A	SHELL	SHELL	SHIELD/DRAIN	CHSGND	OUTER SHIELD		
3	0	9	9	YELLOW	A	C20		
		24	24	BLUE	B	C21		
		NC	NC	N/A	CHSGND	SHIELD_8	SHORTED IN CABLE TO OUTER SHIELD	
	N/A	41	41	WHITE	I (REF)	C22		
		1	10	10	ORANGE	C	C23	
			25	25	PURPLE	D	C24	
	2	NC	NC	N/A	CHSGND	SHIELD_9	SHORTED IN CABLE TO OUTER SHIELD	
		11	11	GRAY	E	C25		
		26	26	RED	F	C26		
	N/A	NC	NC	N/A	CHSGND	SHIELD_10	SHORTED IN CABLE TO OUTER SHIELD	
		27	27	BLACK	J (AUX)	C27		
		40	40	BROWN	G	C28		
3	39	39	GREEN	H	C29			
	NC	NC	N/A	CHSGND	SHIELD_11	SHORTED IN CABLE TO OUTER SHIELD		
	N/A	SHELL	SHELL	SHIELD/DRAIN	CHSGND	OUTER SHIELD		
4	0	13	13	YELLOW	A	C30		
		28	28	BLUE	B	C31		
		NC	NC	N/A	CHSGND	SHIELD_12	SHORTED IN CABLE TO OUTER SHIELD	
	N/A	42	42	WHITE	I (REF)	C32		
		1	14	14	ORANGE	C	C33	
			29	29	PURPLE	D	C34	
	2	NC	NC	N/A	CHSGND	SHIELD_13	SHORTED IN CABLE TO OUTER SHIELD	
		15	15	GRAY	E	C35		
		30	30	RED	F	C36		
	N/A	NC	NC	N/A	CHSGND	SHIELD_14	SHORTED IN CABLE TO OUTER SHIELD	
		12	12	BLACK	J (AUX)	C37		
		44	44	BROWN	G	C38		
3	43	43	GREEN	H	C39			
	NC	NC	N/A	CHSGND	SHIELD_15	SHORTED IN CABLE TO OUTER SHIELD		
	N/A	SHELL	SHELL	SHIELD/DRAIN	CHSGND	OUTER SHIELD		