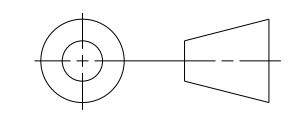



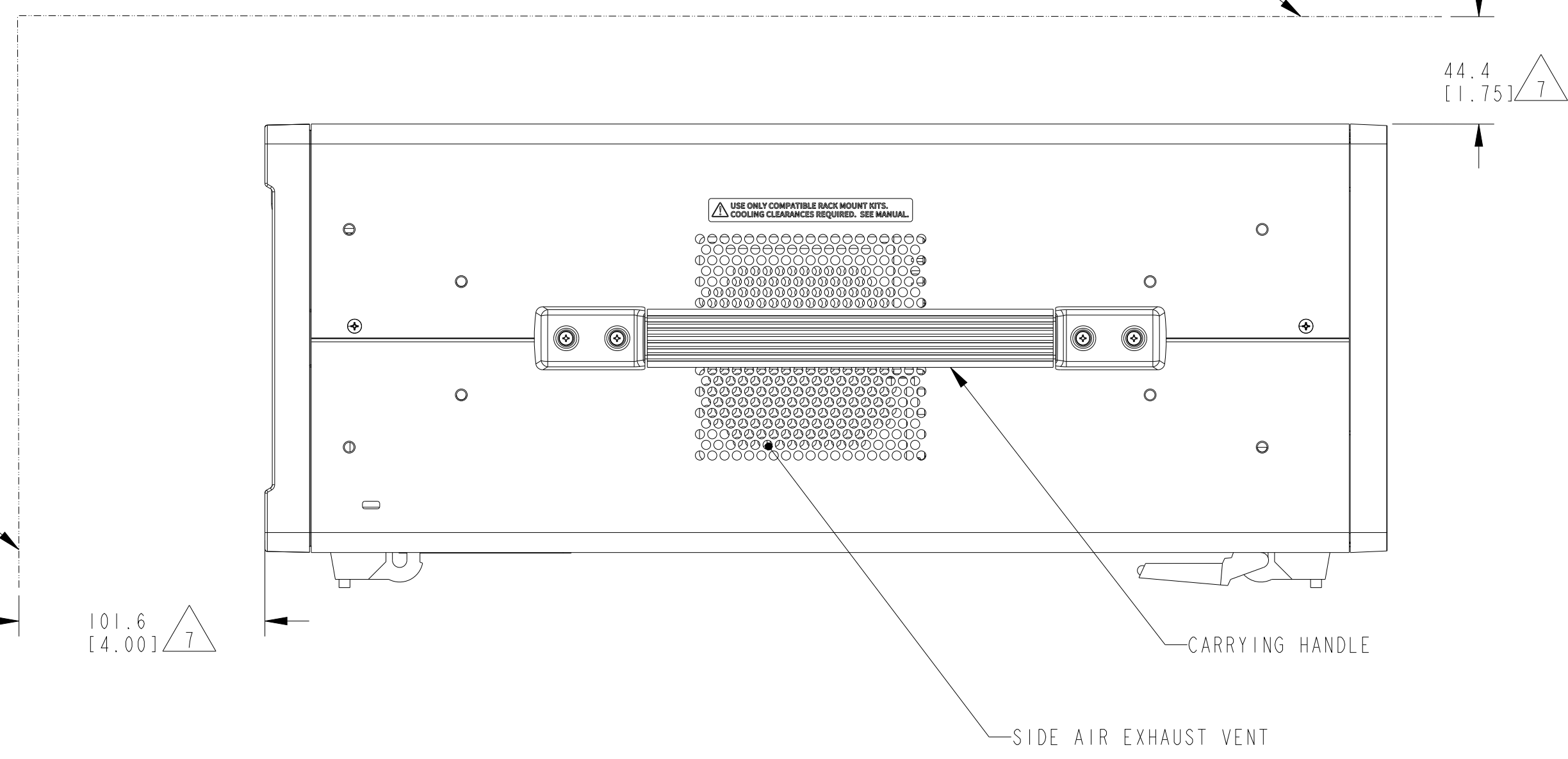
- 7 USER MUST PROVIDE MINIMUM COOLING/VENTING CLEARANCE AS SHOWN. FAILURE TO PROVIDE THIS CLEARANCE MAY RESULT IN CHASSIS OR MODULE THERMAL RELATED FAILURES.
- 6 WHITE PC-ABS COLOR.
- 5 NI COMPASS BLUE PC-ABS COLOR.
- 4 NI COMPASS WHITE COLOR.
- 3 THERE ARE FOUR HOLES ON EACH SIDE OF THE CHASSIS FOR OPTIONAL RACK MOUNT KIT.
- 2 FOUR M4 THREAD SIDE FEET MOUNTING HOLES MAY BE USED FOR MOUNTING CHASSIS IN CUSTOM APPLICATIONS.

1. REFER TO PRODUCT MANUAL ON NI.COM FOR MORE DETAILS
 NOTES: UNLESS OTHERWISE SPECIFIED.

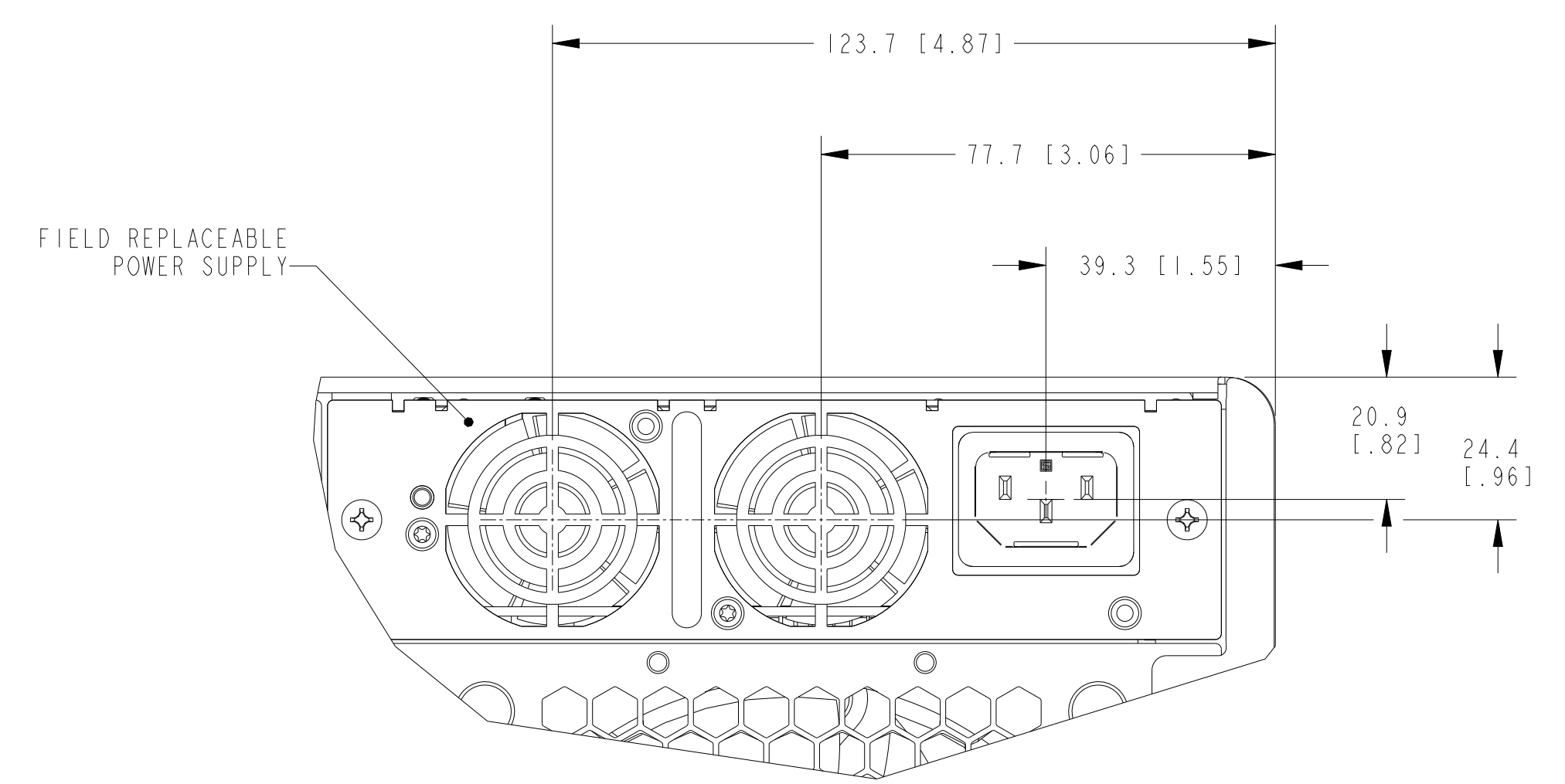
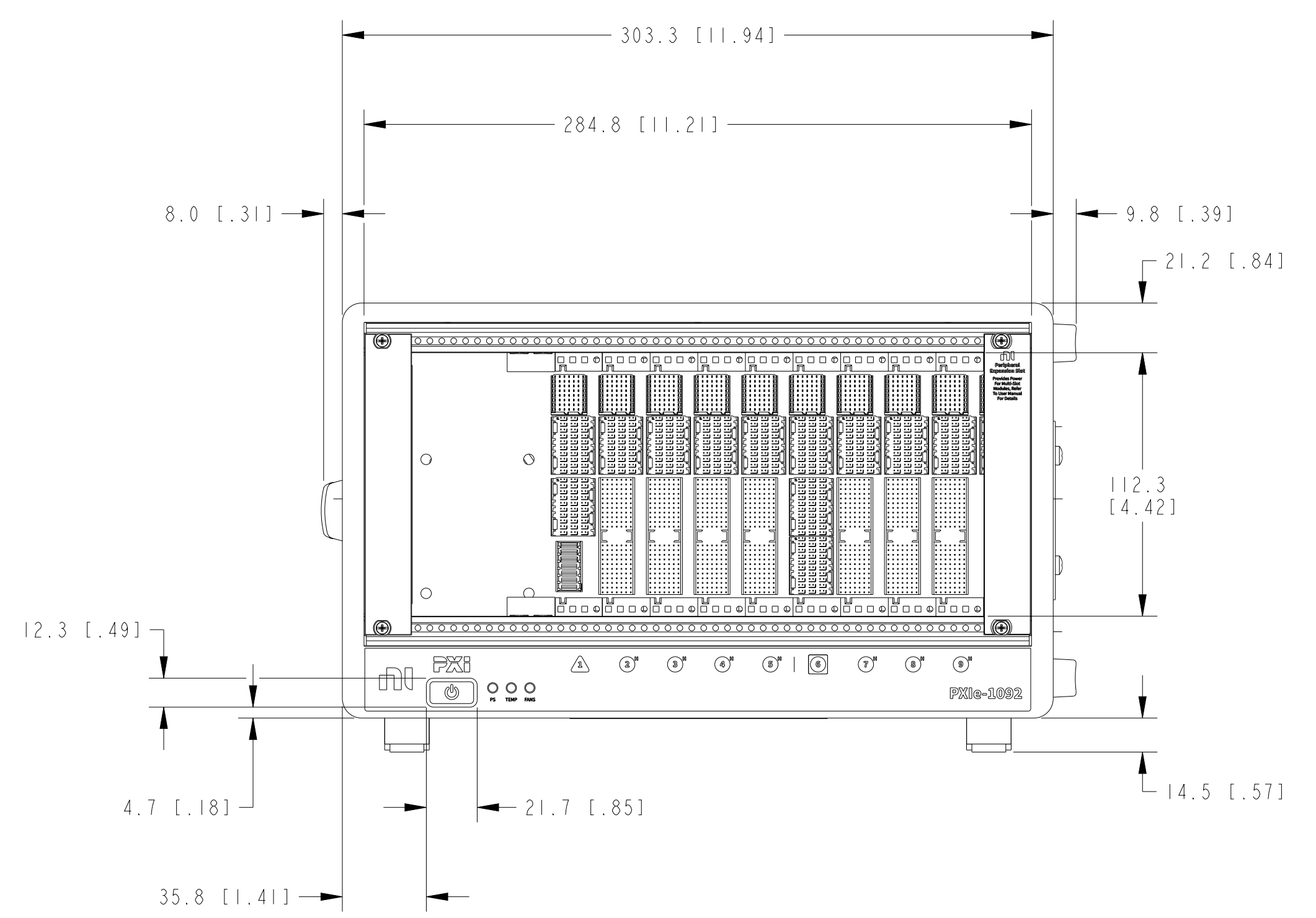
METRIC		CUSTOMER DRAWING	
UNLESS OTHERWISE SPECIFIED DIMENSIONS ARE IN MILLIMETERS AND INCHES		NI.COM AUSTIN, TEXAS	
DO NOT SCALE DRAWING THIRD ANGLE PROJECTION		TITLE CUSTOMER DRAWING, CHASSIS ASSEMBLY, PXIe-1092	
		SIZE CODE IDENT NO. MM/DD/YYYY D 7U296 02/08/2022	
SCALE: 1/2		SHEET 1 OF 2 CUSTOMER.DRW_1092	

TOP COOLING ENVELOPE 

REAR COOLING ENVELOPE 



COOLING INFORMATION



DETAIL B
 SCALE 1/1

COOLING ENVELOPE BOTH SIDES 

