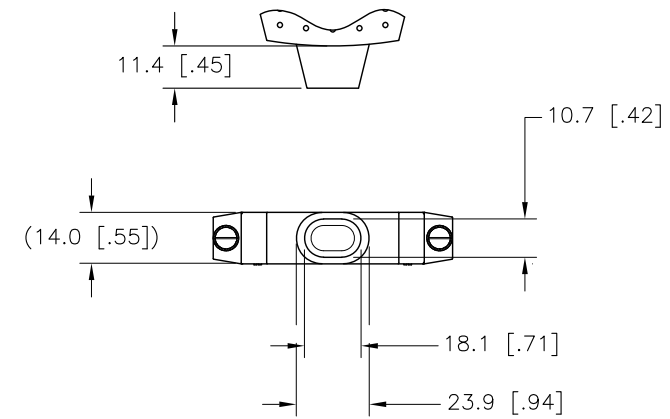


BEND RADIUS: 12X CABLE DIAMETER
CABLE DIAMETER: 14.35mm DIAMETER
 $12(14.35) = 172.2\text{mm RADIUS}$

BEND RADIUS EXAMPLE



DETAIL A

CONDUCTOR SPECIFICATIONS:

COMPONENT I
CONDUCTOR: 30 AWG 7/38 TIN PLATED COPPER, 0.31 [.012] DIAMETER
INSULATION: 0.15 [.006] OF POLYPROPYLENE, 0.61 [.024] DIAMETER
COMPONENT II
CONDUCTOR: 30 AWG 7/38 TIN PLATED COPPER, 0.31 [.012] DIAMETER
INSULATION: 0.16 [.007] OF POLYPROPYLENE, 0.64 [.025] DIAMETER
COMPONENT III
CONDUCTOR: 30 AWG 7/38 TIN PLATED COPPER, 0.31 [.012] DIAMETER
INSULATION: 0.13 [.005] INCHES OF POLYPROPYLENE, 0.56 [.022] DIAMETER
COMPONENT IV
CONDUCTOR: 26 AWG 19/38 TIN PLATED COPPER, 0.48 [.019] DIAMETER
INSULATION: 0.14 [.006] OF XPbT, 0.76 [.030] DIAMETER
COMPONENT V
CONDUCTOR: 30 AWG 7/38 TIN PLATED COPPER, 0.31 [.012] DIAMETER
INSULATION: 0.11 [.005] INCHES OF POLYPROPYLENE, 0.53 [.021] DIAMETER
BEND RADIUS: 12X CABLE DIAMETER (SEE EXAMPLE) PER SPECIFICATIONS
2014 NEC SECTION 300.34 CONDUCTOR BEND RADIUS
2014 NEC SECTION 300.24 BENDING RADIUS

1. REFER TO PRODUCT MANUAL ON NI.COM FOR MORE DETAILS.
NOTES: UNLESS OTHERWISE SPECIFIED.

TABLE 1	
LENGTH	TOLERANCE
<2M	+5 CM/-0 CM
2 TO 5M	+10 CM/-0 CM
>5M	+15 CM/-0 CM

METRIC

CUSTOMER DRAWING

UNLESS OTHERWISE SPECIFIED DIMENSIONS ARE IN INCHES AND [MILLIMETERS]	NI NI.COM AUSTIN, TEXAS
DO NOT SCALE DRAWING THIRD ANGLE PROJECTION	SIZE CODE IDENT NO. MM/DD/YYYY D 7U296 03/01/2022
SCALE: 1/1	SHEET 1 OF 1

WIRE LIST					
ANALOG-IN BUNDLE - 8 SHIELDED PAIRS, 1 SINGLE, GROUP SHIELD			P1 .050	P2 VHDCI	SIGNAL NAME
PAIR	SINGLE	COLOR MAIN/STRIPE	P1	P2	SIGNAL
1		WHITE/RED	68	68	A10+
	SHIELD 1	RED/WHITE	34	34	A10-
2		WHITE/BROWN	66	66	A11+
	SHIELD 2	BROWN/WHITE	32	32	A11-
3		WHITE/PINK	65	65	A12+
	SHIELD 3	PINK/WHITE	31	31	A12-
4		WHITE/ORANGE	63	63	A13+
	SHIELD 4	ORANGE/WHITE	29	29	A13-
5		WHITE/YELLOW	62	62	A14+
	SHIELD 5	YELLOW/WHITE	28	28	A14-
6		WHITE/GREEN	60	60	A15+
	SHIELD 6	GREEN/WHITE	26	26	A15-
7		WHITE/BLUE	59	59	A16+
	SHIELD 7	BLUE/WHITE	25	25	A16-
8		WHITE/VIOLET	57	57	A17+
	SHIELD 8	VIOLET/WHITE	23	23	A17-
	1	BLACK	56	56	AISENSE
	GROUP SHIELD		67	67	AIGND0

WIRE LIST					
ANALOG-OUT BUNDLE - 8 PAIRS, 1 SINGLE, GROUP SHIELD			P1 .050	P2 VHDCI	SIGNAL NAME
PAIR	SINGLE	COLOR MAIN/STRIPE	P1	P2	SIGNAL
1		WHITE/GREY	55	55	A00
		GREY/WHITE	21	21	AOGND0
2		RED/BROWN	54	54	A01
		BROWN/RED	20	20	AOGND1
3		RED/PINK	53	53	A02
		PINK/RED	19	19	AOGND2
4		RED/ORANGE	52	52	A03
		ORANGE/RED	18	18	AOGND3
5		RED/YELLOW	51	51	A04
		YELLOW/RED	17	17	AOGND4
6		RED/GREEN	50	50	A05
		GREEN/RED	16	16	AOGND5
7		RED/BLUE	49	49	A06
		BLUE/RED	15	15	AOGND6
8		RED/VIOLET	48	48	A07
		VIOLET/RED	14	14	AOGND7
	1	WHITE	22	22	EXT REF
	GROUP SHIELD		21	21	AOGND0

WIRE LIST					
DIGITAL BUNDLE - 16 PAIRS, 2 SINGLES			P1 .050	P2 VHDCI	SIGNAL NAME
PAIR	SINGLE	COLOR MAIN/STRIPE	P1	P2	SIGNAL
1		RED/GREY	47	47	DIO15
		GREY/RED	9	9	DGND
2		BROWN/PINK	13	13	DIO14
		PINK/BROWN	8	8	DGND
3		BROWN/ORANGE	46	46	DIO13
		ORANGE/BROWN	7	7	DGND
4		BROWN/YELLOW	12	12	DIO12
		YELLOW/BROWN	6	6	DGND
5		BROWN/GREEN	45	45	DIO11
		GREEN/BROWN	5	5	DGND
6		BROWN/BLUE	11	11	DIO10
		BLUE/BROWN	4	4	DGND
7		BROWN/VIOLET	44	44	DIO9
		VIOLET/BROWN	3	3	DGND
8		BROWN/GREY	10	10	DIO8
		GREY/BROWN	2	2	DGND
9		PINK/ORANGE	43	43	DIO7
		ORANGE/PINK	9	9	DGND
10		PINK/YELLOW	42	42	DIO6
		YELLOW/PINK	8	8	DGND
11		PINK/GREEN	41	41	DIO5
		GREEN/PINK	7	7	DGND
12		PINK/BLUE	40	40	DIO4
		BLUE/PINK	6	6	DGND
13		PINK/VIOLET	39	39	DIO3
		VIOLET/PINK	5	5	DGND
14		PINK/GREY	38	38	DIO2
		GREY/PINK	4	4	DGND
15		ORANGE/YELLOW	37	37	DIO1
		YELLOW/ORANGE	3	3	DGND
16		ORANGE/GREEN	36	36	DIO0
		GREEN/ORANGE	2	2	DGND
	1	RED	35	35	+5V
	2	GREEN	1	1	+5V
	OUTER SHIELD		SHELL	SHELL	SHIELD