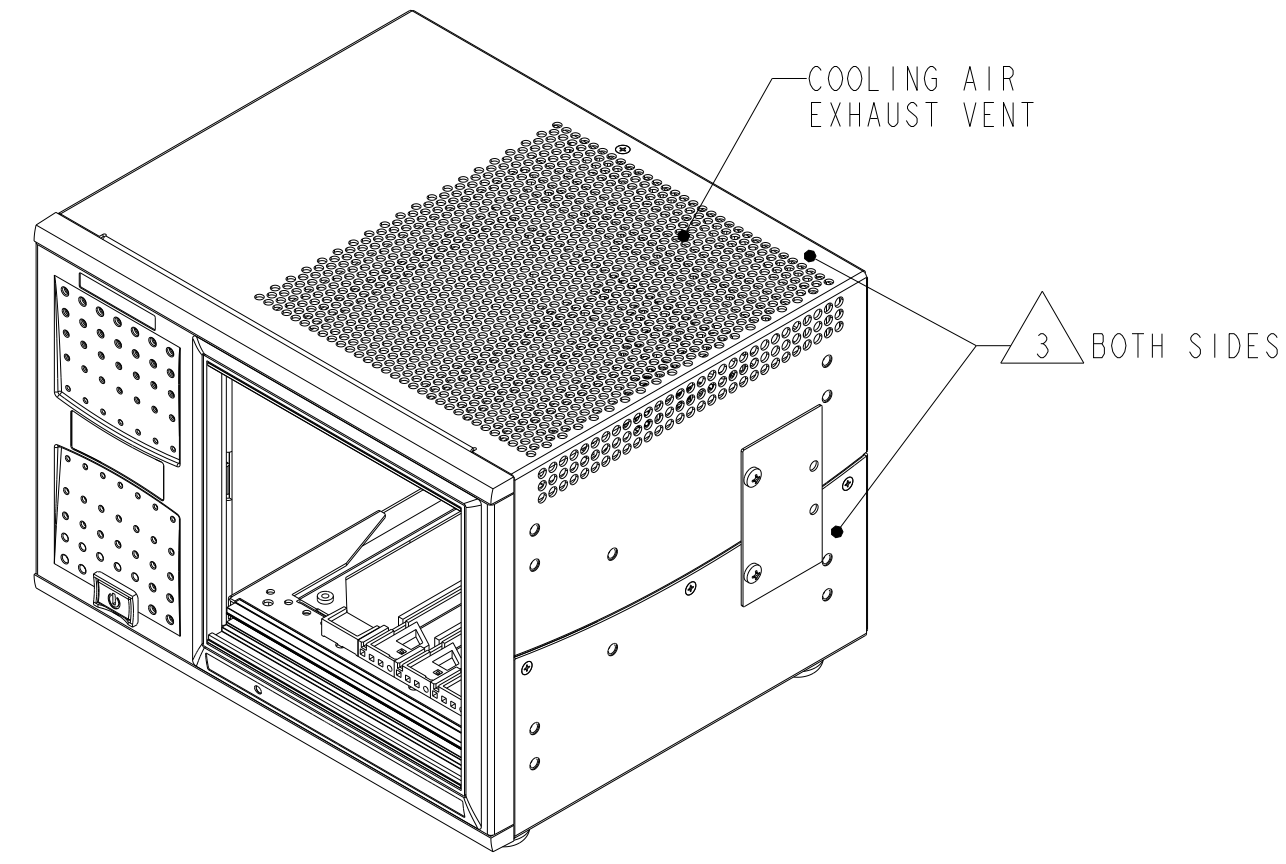
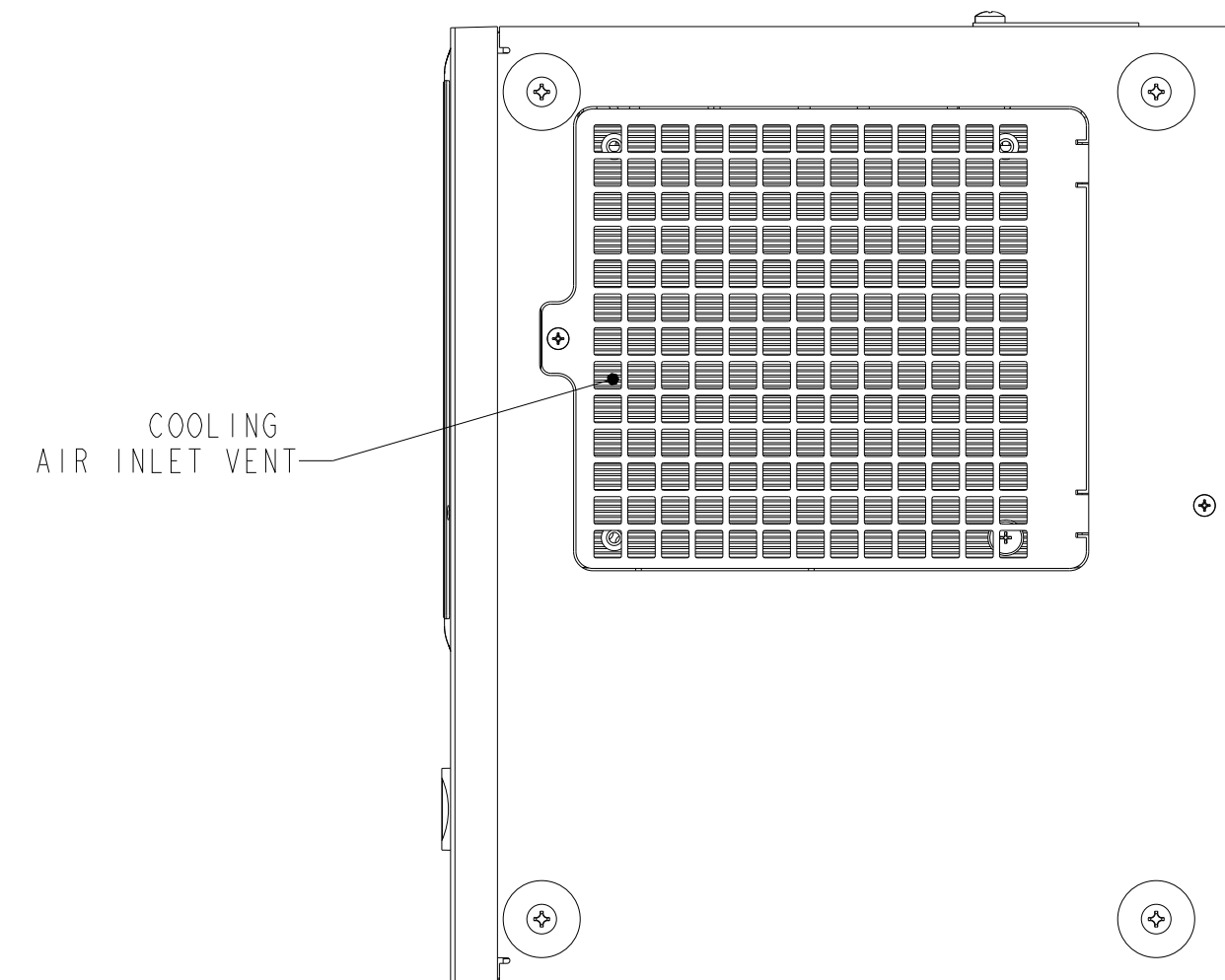
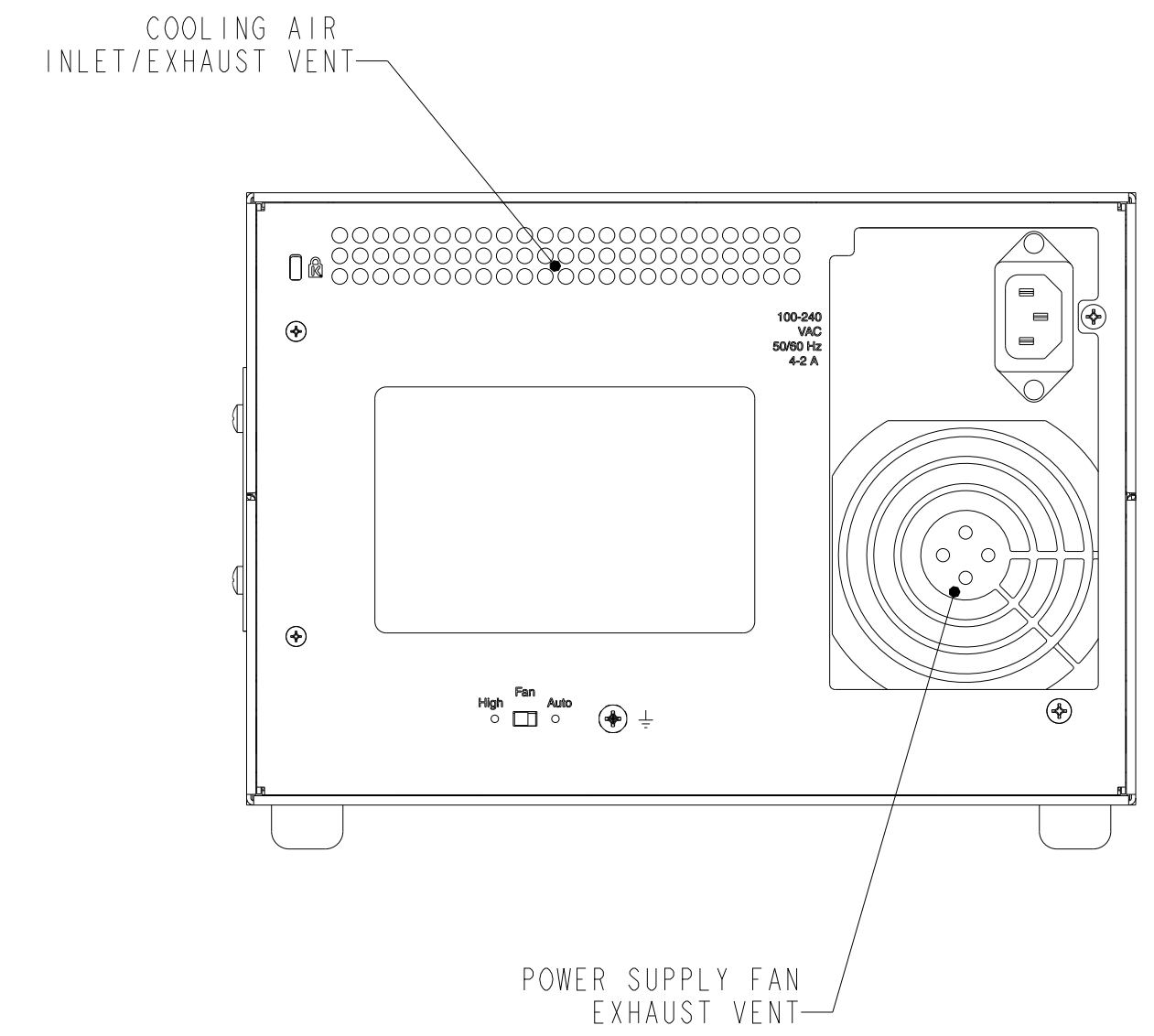
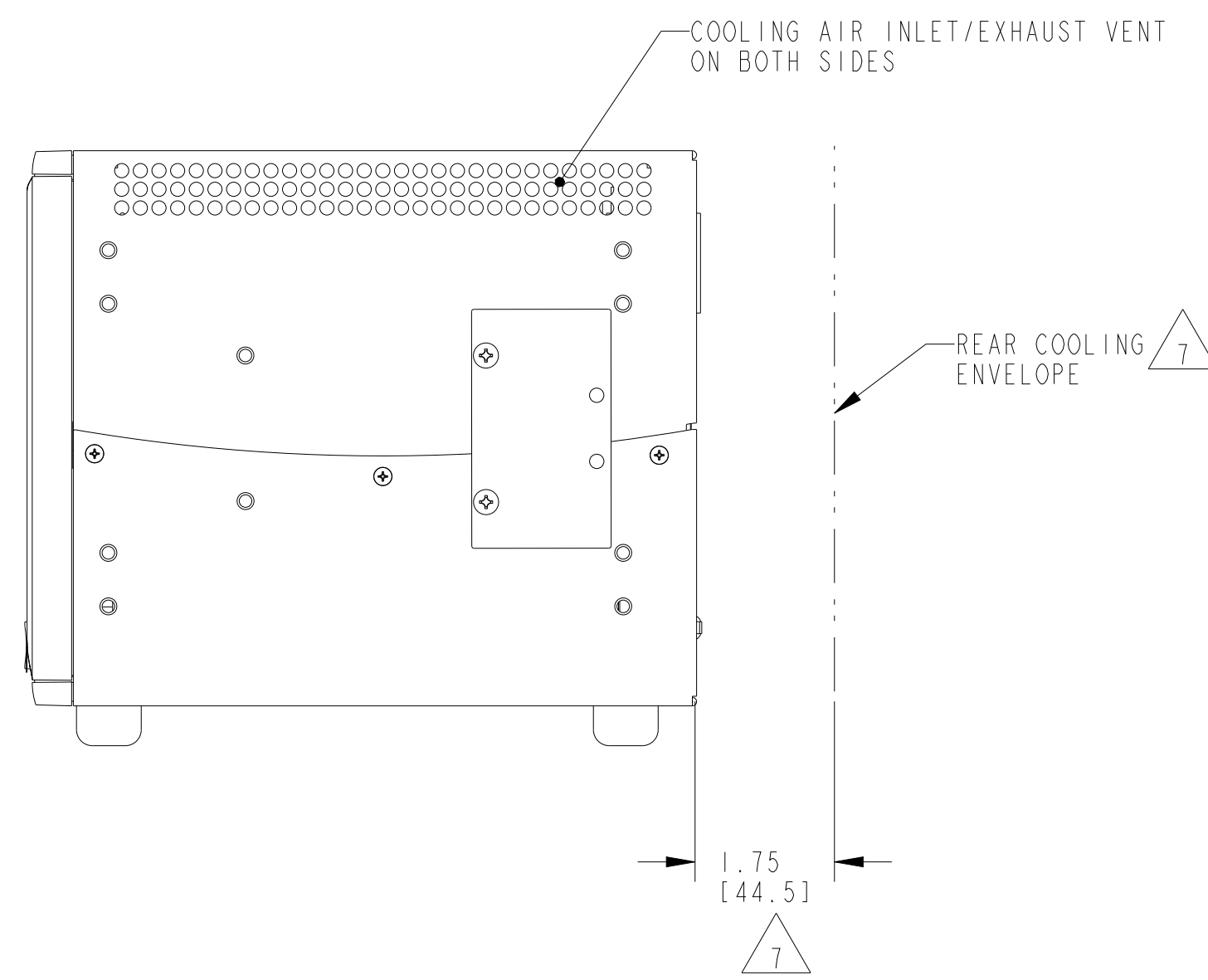
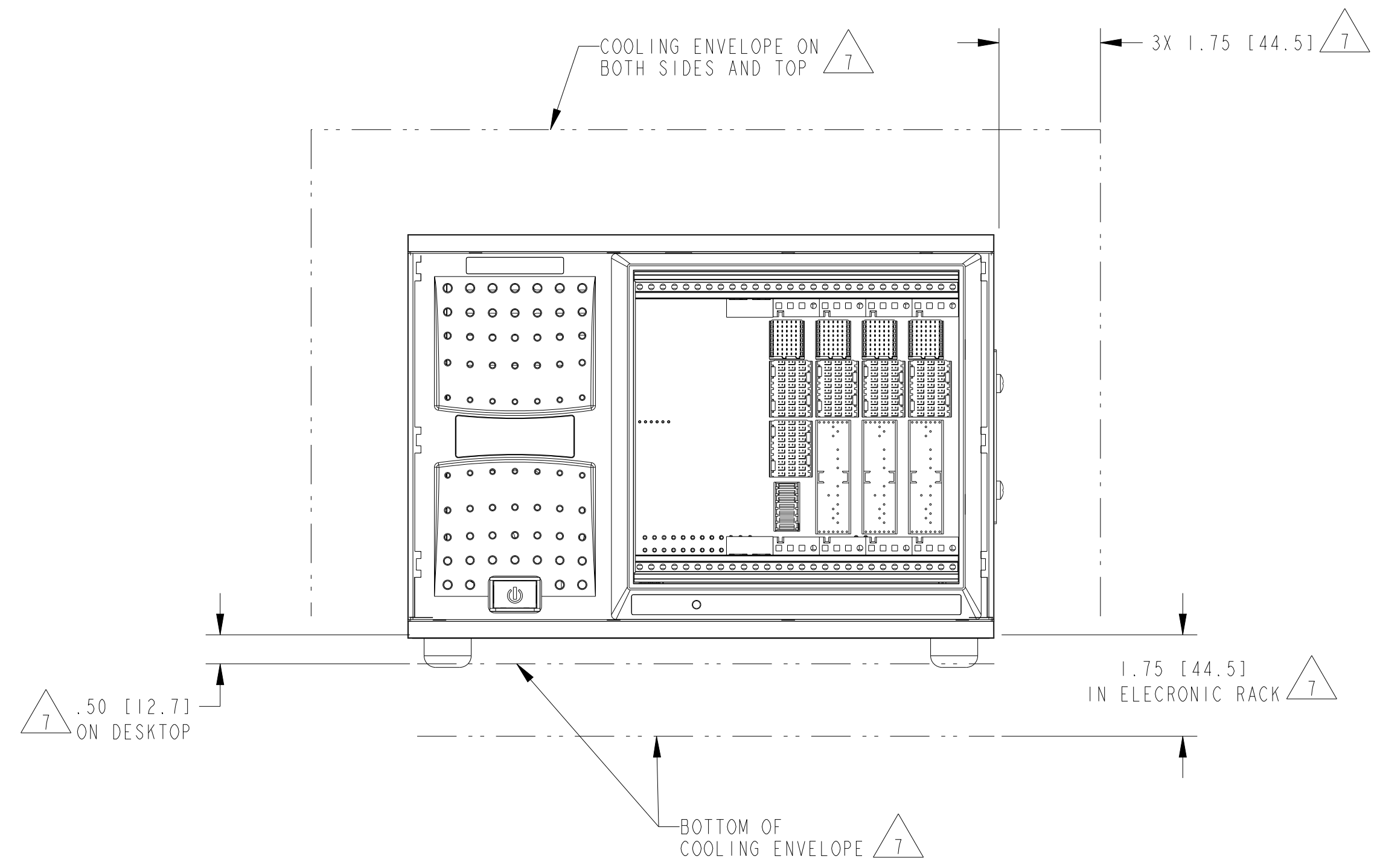


8. REFER TO PRODUCT MANUAL ON NI.COM FOR MORE DETAILS.
7. USER MUST PROVIDE MINIMUM COOLING/VENTING CLEARANCE AS SHOWN. FAILURE TO PROVIDE THIS CLEARANCE MAY RESULT IN CHASSIS OR MODULE THERMAL RELATED FAILURES.
6. BRUSHED METAL FINISH.
5. WHITE PC-ABS COLOR.
4. NI COMPASS BLUE PC-ABS COLOR.
3. NI COMPASS WHITE COLOR.
2. THERE ARE FOUR HOLES ON EACH SIDE OF CHASSIS FOR OPTIONAL RACK MOUNT KIT.
1. FOUR M4 THREAD BOTTOM FEET MOUNTING HOLES MAY BE USED FOR MOUNTING.
- NOTES: UNLESS OTHERWISE SPECIFIED.

UNLESS OTHERWISE SPECIFIED DIMENSIONS ARE IN INCHES AND [MILLIMETERS].	NATIONAL INSTRUMENTS® AUSTIN, TEXAS	
	TITLE CUSTOMER DRAWING, PXIe CHASSIS, 4-SLOT	
DO NOT SCALE DRAWING THIRD ANGLE PROJECTION	SIZE CODE IDENT NO. MM/DD/YYYY D 7U296 03/24/2021	SHEET 1 OF 2 CU-PXIe-4-SLOT-CHASSIS
	SCALE: 1/2	



SCALE 1/3



COOLING INFORMATION