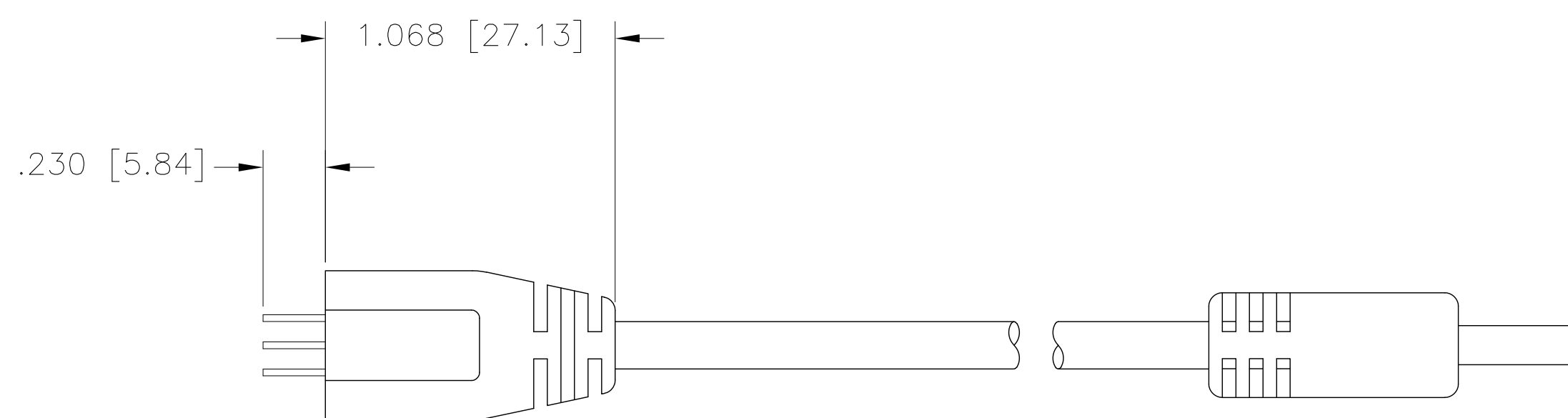
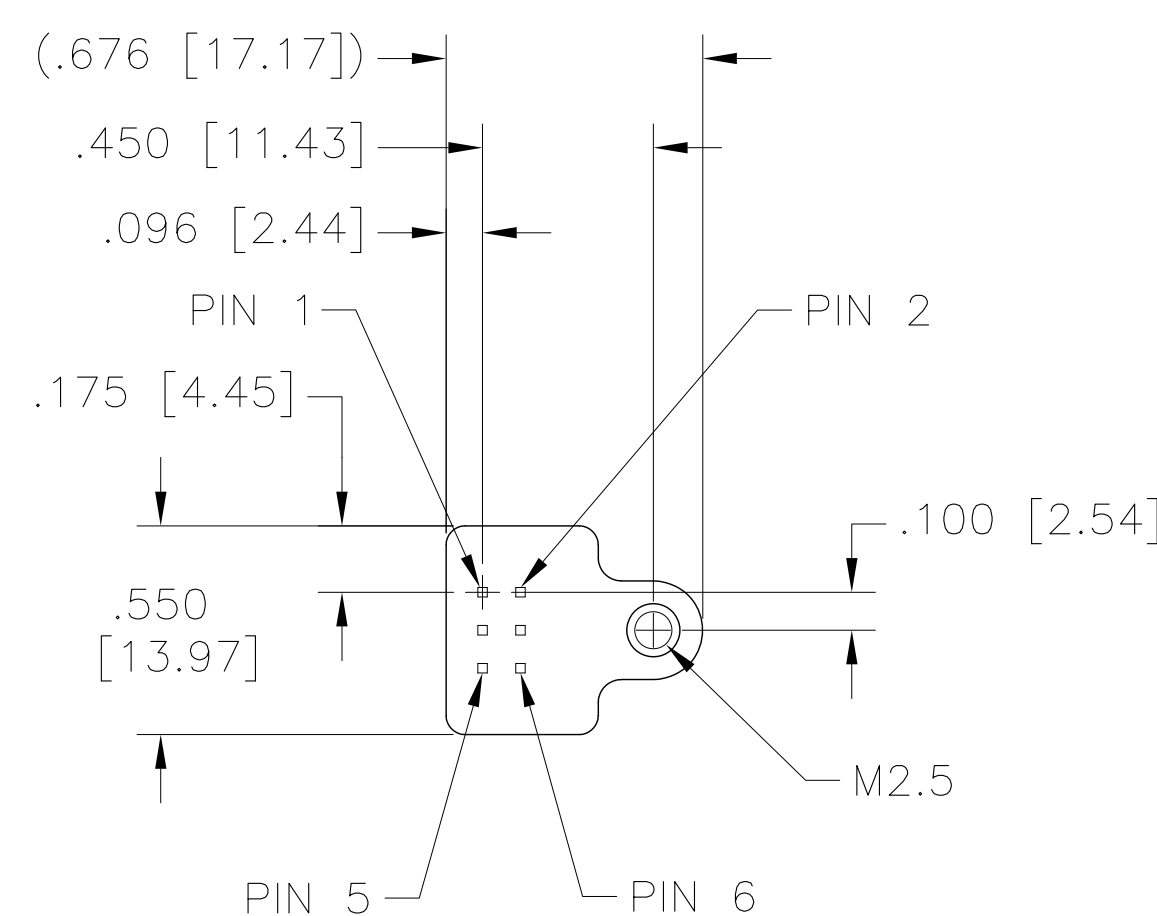
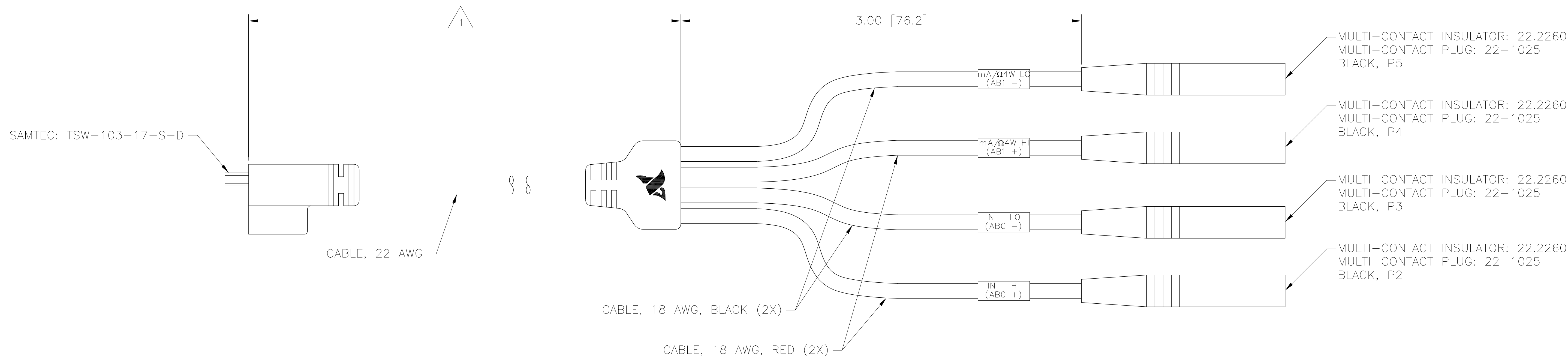


CUSTOMER DRAWING COMPATIBILITY			
REV	DESCRIPTION	DATE	APPROVED



LENGTH	TOLERANCE
<2M	+5 CM/-0 CM
2 TO 5M	+10 CM/-0 CM
>5M	+15 CM/-0 CM

WIRE LIST					
P1	PAIR	COLOR	SIGNAL	COLOR	PLUG
PIN 1	1	BLACK	AB0-	BLACK	P3
PIN 2		RED	AB0+	RED	P2
PIN 5	2	GREEN	AB1-	BLACK	P5
PIN 6		WHITE	AB1+	RED	P4
STANDOFF (ITEM 6)	-	-	DRAIN	-	NO CONNECT

METRIC

1. REFER TO PRODUCT MANUAL ON NI.COM FOR MORE DETAILS.
NOTES: UNLESS OTHERWISE SPECIFIED.

UNLESS OTHERWISE SPECIFIED DIMENSIONS ARE IN MILLIMETERS AND [INCHES]		NI.COM AUSTIN, TEXAS	
DO NOT SCALE DRAWING THIRD ANGLE PROJECTION		TITLE CABLE ASSEMBLY, TYPE LV6 - BAN4	
SCALE: NONE		SIZE CODE IDENT NO. DRAWING NO. D 7U296 05/11/21	
		SHEET 1 OF 1	