

1. REFER TO PRODUCT MANUAL ON NI.COM FOR MORE DETAILS

METRIC

CUSTOMER DRAWING

UNLESS OTHERWISE SPECIFIED
 DIMENSIONS ARE IN MILLIMETERS
 AND [INCHES]



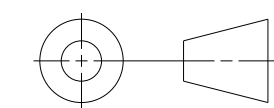
NI.COM

AUSTIN, TEXAS

DO NOT SCALE DRAWING
 THIRD ANGLE PROJECTION

TITLE

RMC-8357



SIZE CODE IDENT NO. MM/DD/YYYY

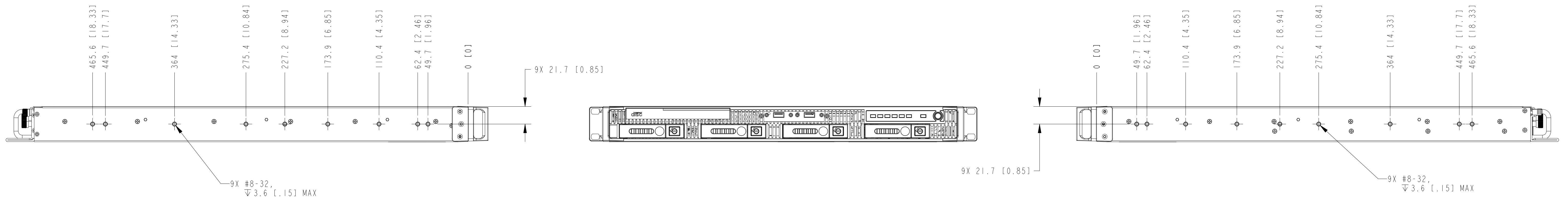
D 7U296

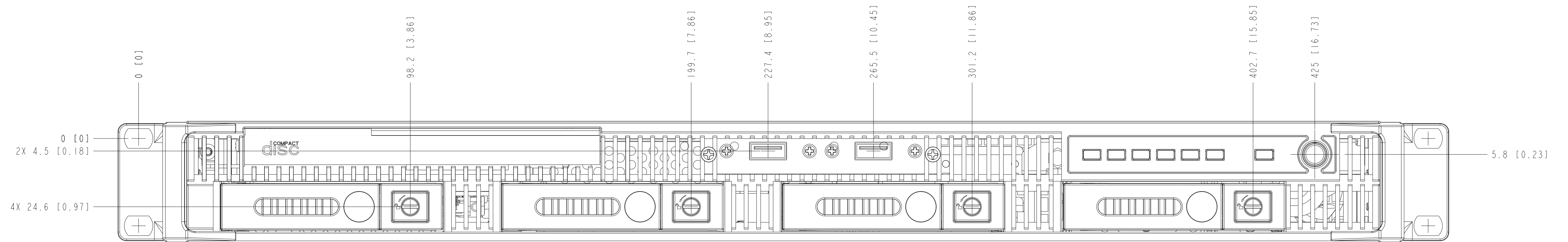
08/14/2020

SCALE: 1/2

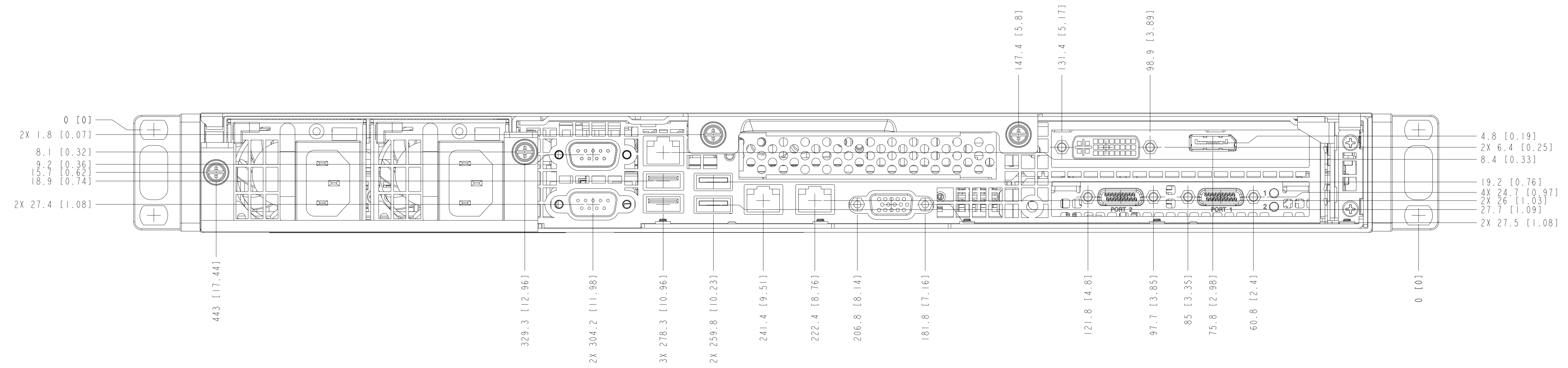
SHEET 1 OF 7

CU.RMC-8357

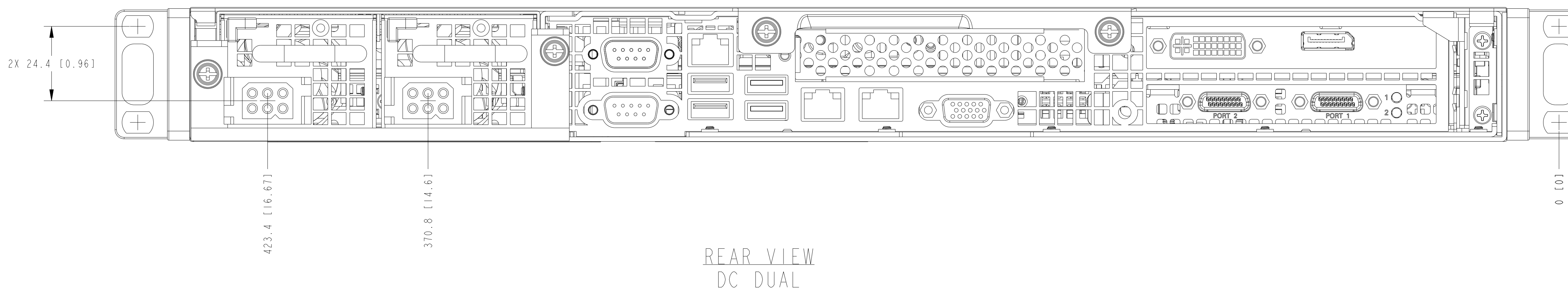
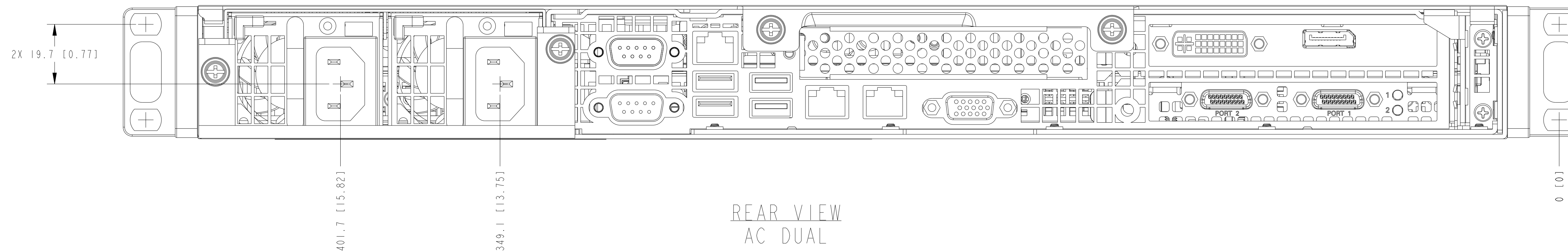


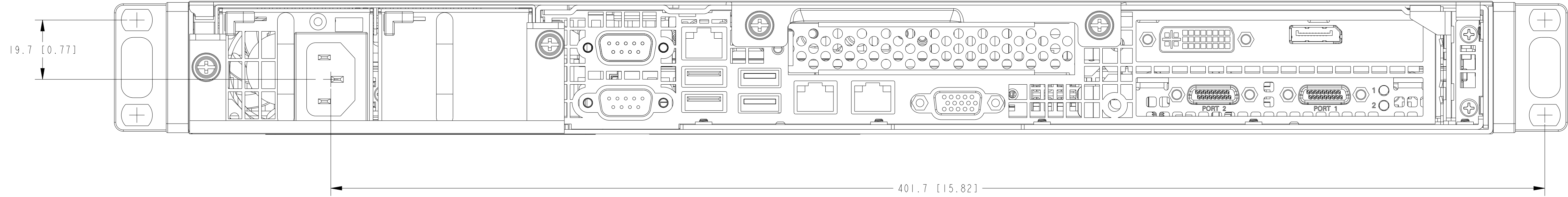


FRONT VIEW
ALL CONFIGURATIONS

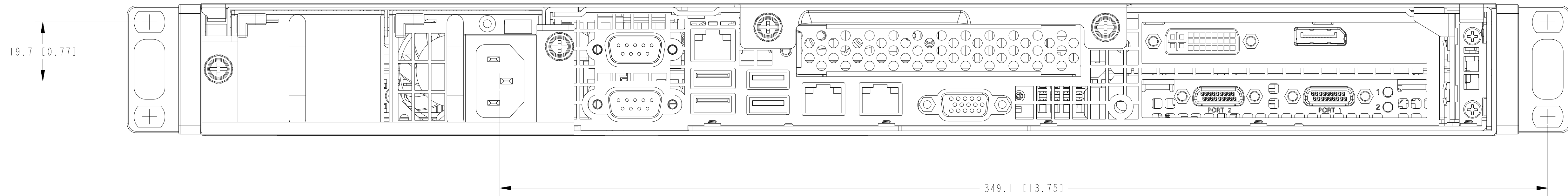


REAR VIEW
ALL CONFIGURATIONS
(AC DUAL SHOWN)

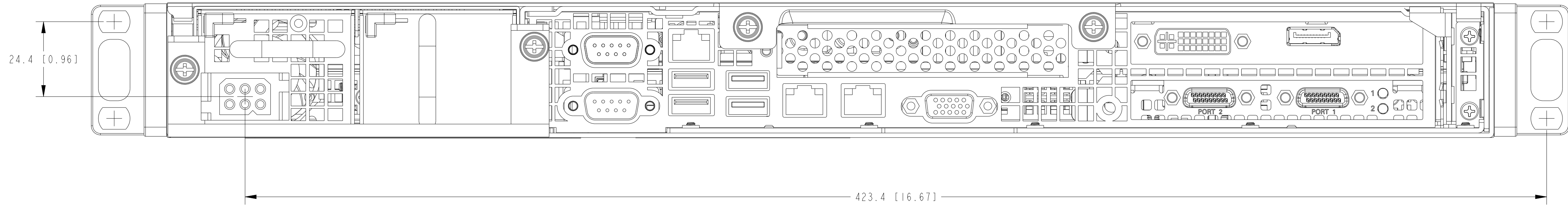




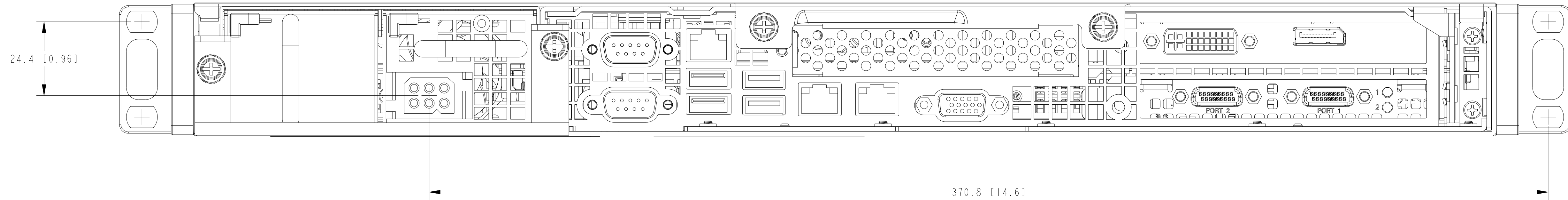
REAR VIEW
AC SINGLE, POS 1



REAR VIEW
AC SINGLE, POS 2



REAR VIEW
DC SINGLE, POS 1



REAR VIEW
DC SINGLE, POS 2