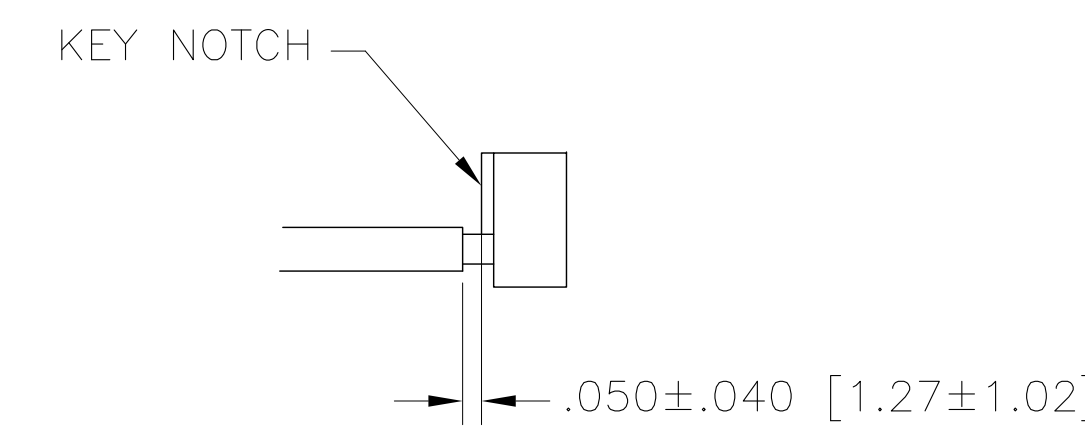
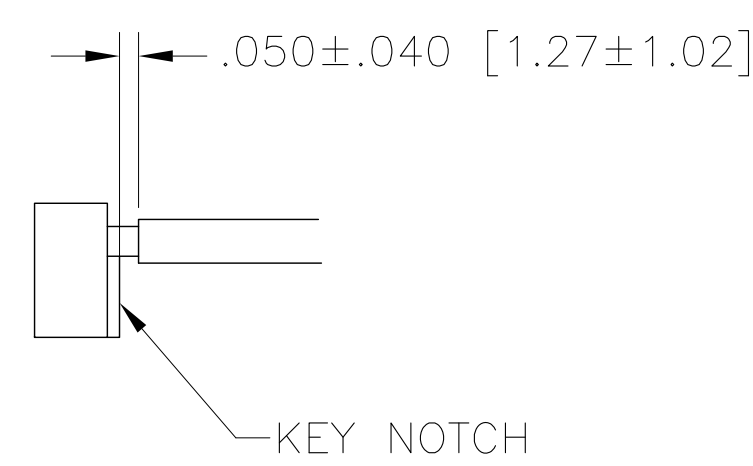
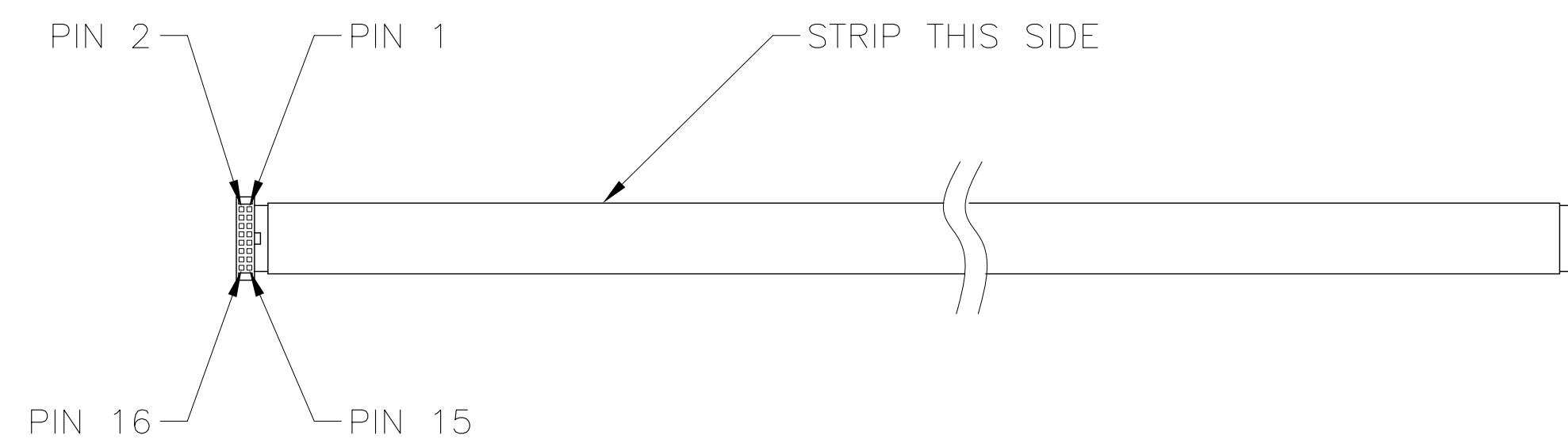
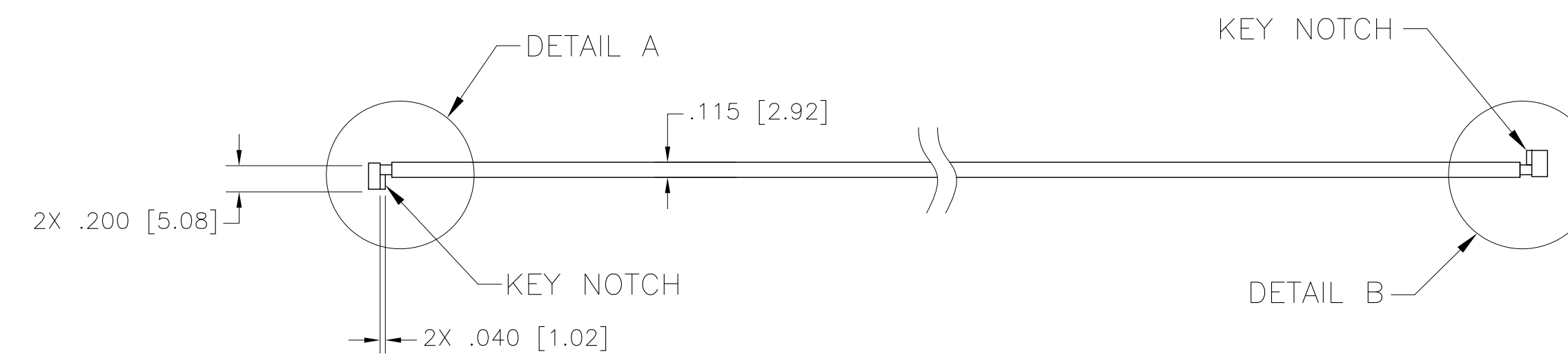
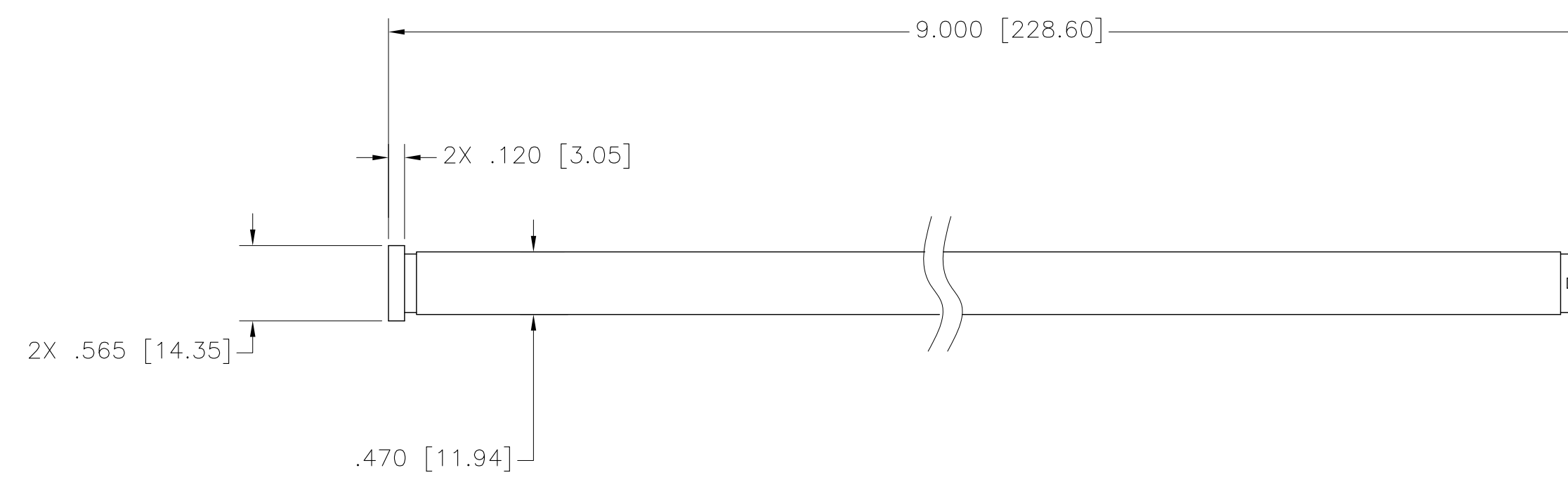

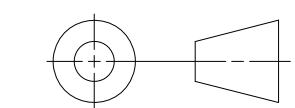


CUSTOMER DRAWING COMPATIBILITY			
REV	DESCRIPTION	DATE	APPROVED
A	DRAWING COMPATIBLE, RELEASED		



LENGTH	TOLERANCE
≤12 IN	+0.25 IN/-0 IN
>12 IN	+1.00 IN/-0 IN

CUSTOMER DRAWING

UNLESS OTHERWISE SPECIFIED DIMENSIONS ARE IN INCHES AND [MILLIMETERS]	 NATIONAL INSTRUMENTS® AUSTIN, TEXAS	
	TITLE R16IDC-16F, 60V	
DO NOT SCALE DRAWING THIRD ANGLE PROJECTION	SIZE CODE IDENT NO. DRAWING NO. D 7U296 05/28/20	
	SCALE: 1/1	SHEET 1 OF 1

1. REFER TO PRODUCT MANUAL ON NI.COM FOR MORE DETAILS.
NOTES: UNLESS OTHERWISE SPECIFIED.