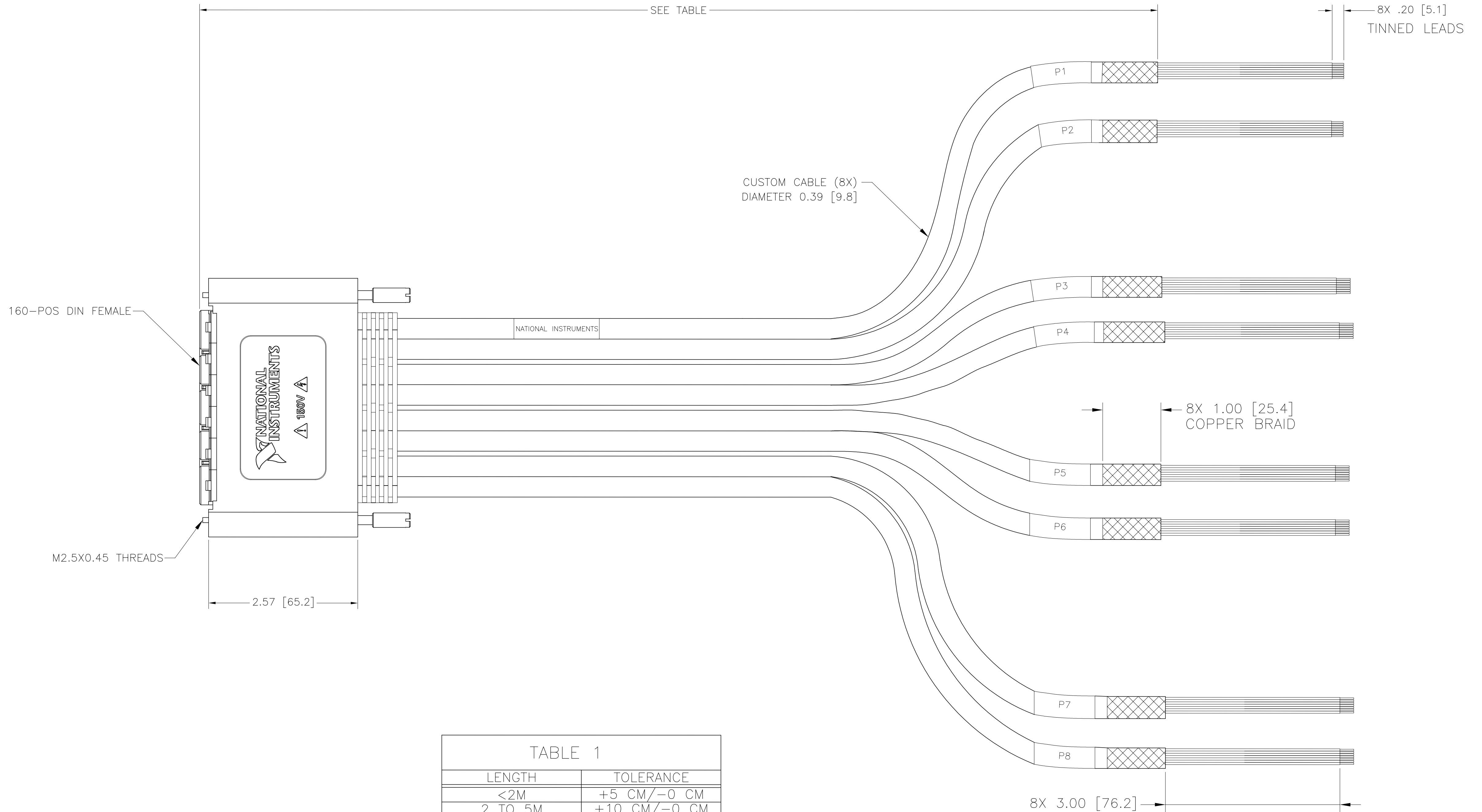
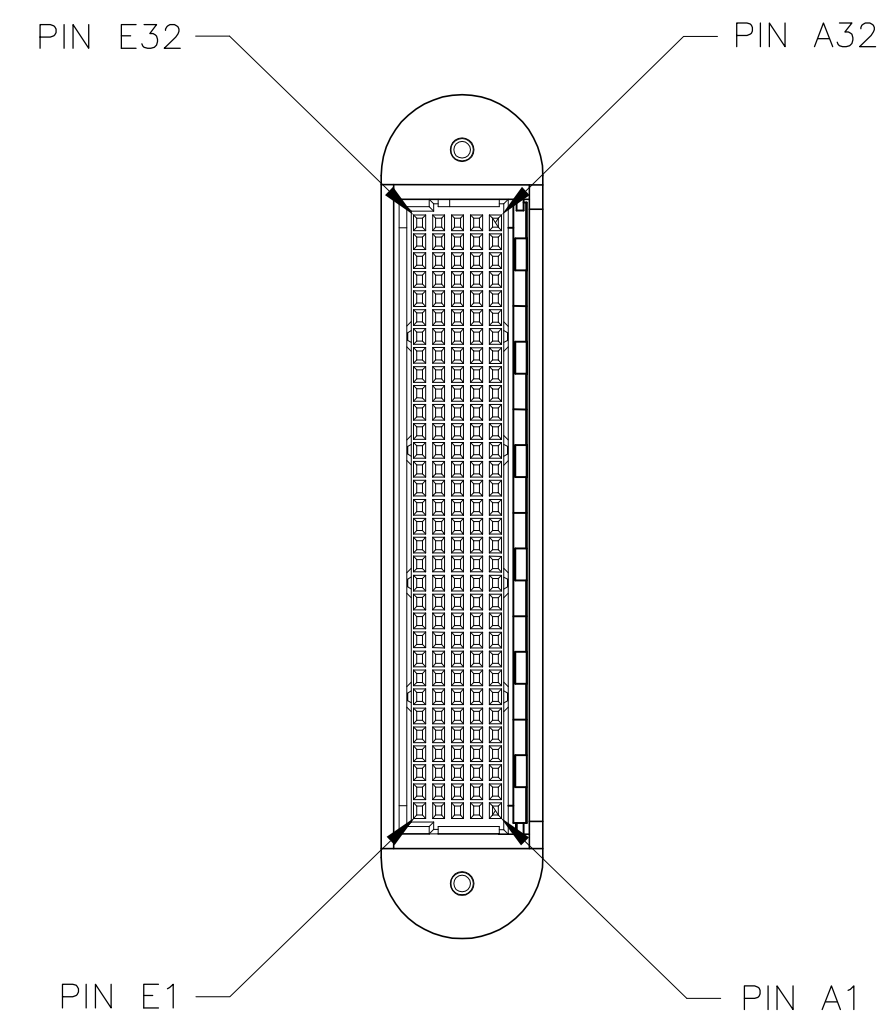
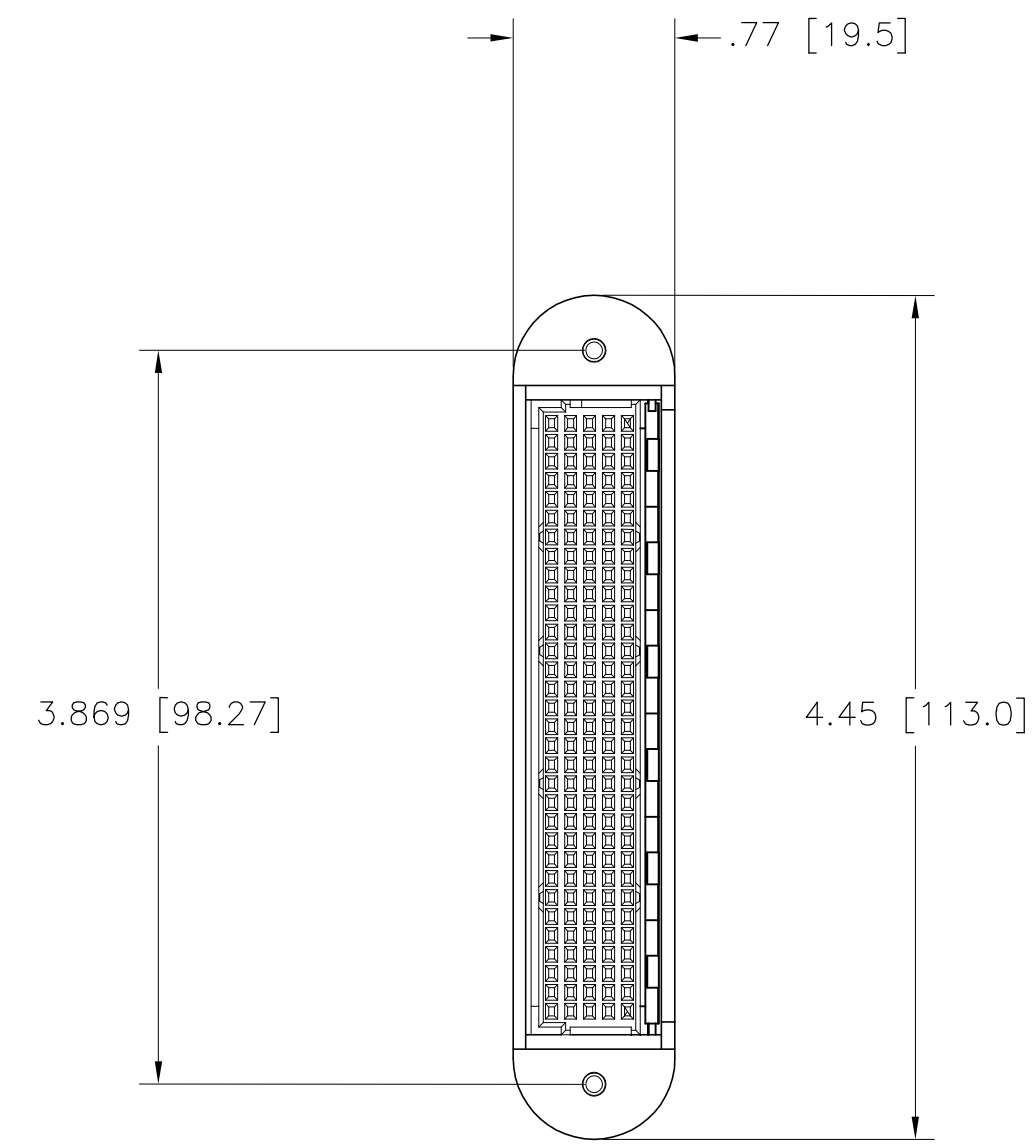


CUSTOMER DRAWING COMPATIBILITY			
REV	DESCRIPTION	DATE	APPROVED
A		-	-
B		-	-
C		-	-



LENGTH	TOLERANCE
<2M	+5 CM/-0 CM
2 TO 5M	+10 CM/-0 CM
>5M	+15 CM/-0 CM

1. REFER TO PRODUCT MANUAL ON NI.COM FOR MORE DETAILS.  
 NOTES: UNLESS OTHERWISE SPECIFIED.

CUSTOMER DRAWING

UNLESS OTHERWISE SPECIFIED  
 DIMENSIONS ARE IN INCHES AND  
 [MILLIMETERS]

**NATIONAL INSTRUMENTS®** AUSTIN, TEXAS

TITLE  
 160 POS DIN TO BARE WIRE,  
 782417-01

DO NOT SCALE DRAWING  
 THIRD ANGLE PROJECTION

SIZE CODE IDENT NO. DRAWING NO.  
 D 7U296 10/01/18

SCALE: NTS SHEET 1 OF 3

REV	DESCRIPTION	DATE	APPROVED
A		-	-
B		-	-
C		-	-

WIRE LIST		
P0	CABLE	COLOR MAIN/STRIPE
A1	P8	BLACK
B1	P8	BROWN
C1	P8	RED
D1	P8	ORANGE
E1	P8	YELLOW
A2	P8	GREEN
B2	P8	BLUE
C2	P8	PURPLE
D2	P8	GRAY
E2	P8	WHITE
A3	P8	PINK
B3	P8	LIGHT GREEN
C3	P8	BLACK/WHITE
D3	P8	BROWN/WHITE
E3	P8	RED/WHITE
A4	P8	ORANGE/WHITE
B4	P8	GREEN/WHITE
C4	P8	BLUE/WHITE
D4	P8	PURPLE/WHITE
E4	P8	RED/BLACK
A5	P7	BLACK
B5	P7	BROWN
C5	P7	RED
D5	P7	ORANGE
E5	P7	YELLOW
A6	P7	GREEN
B6	P7	BLUE
C6	P7	PURPLE
D6	P7	GRAY
E6	P7	WHITE
A7	P7	PINK
B7	P7	LIGHT GREEN
C7	P7	BLACK/WHITE
D7	P7	BROWN/WHITE
E7	P7	RED/WHITE
A8	P7	ORANGE/WHITE
B8	P7	GREEN/WHITE
C8	P7	BLUE/WHITE
D8	P7	PURPLE/WHITE
E8	P7	RED/BLACK
A9	P6	BLACK
B9	P6	BROWN
C9	P6	RED
D9	P6	ORANGE
E9	P6	YELLOW
A10	P6	GREEN
B10	P6	BLUE
C10	P6	PURPLE
D10	P6	GRAY
E10	P6	WHITE
A11	P6	PINK
B11	P6	LIGHT GREEN
C11	P6	BLACK/WHITE
D11	P6	BROWN/WHITE


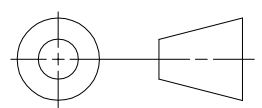
WIRE LIST CONT.		
P0	CABLE	COLOR MAIN/STRIPE
E11	P6	RED/WHITE
A12	P6	ORANGE/WHITE
B12	P6	GREEN/WHITE
C12	P6	BLUE/WHITE
D12	P6	PURPLE/WHITE
E12	P6	RED/BLACK
A13	P5	BLACK
B13	P5	BROWN
C13	P5	RED
D13	P5	ORANGE
E13	P5	YELLOW
A14	P5	GREEN
B14	P5	BLUE
C14	P5	PURPLE
D14	P5	GRAY
E14	P5	WHITE
A15	P5	PINK
B15	P5	LIGHT GREEN
C15	P5	BLACK/WHITE
D15	P5	BROWN/WHITE
E15	P5	RED/WHITE
A16	P5	ORANGE/WHITE
B16	P5	GREEN/WHITE
C16	P5	BLUE/WHITE
D16	P5	PURPLE/WHITE
E16	P5	RED/BLACK
A17	P4	BLACK
B17	P4	BROWN
C17	P4	RED
D17	P4	ORANGE
E17	P4	YELLOW
A18	P4	GREEN
B18	P4	BLUE
C18	P4	PURPLE
D18	P4	GRAY
E18	P4	WHITE
A19	P4	PINK
B19	P4	LIGHT GREEN
C19	P4	BLACK/WHITE
D19	P4	BROWN/WHITE
E19	P4	RED/WHITE
A20	P4	ORANGE/WHITE
B20	P4	GREEN/WHITE
C20	P4	BLUE/WHITE
D20	P4	PURPLE/WHITE
E20	P4	RED/BLACK
A21	P3	BLACK
B21	P3	BROWN
C21	P3	RED
D21	P3	ORANGE
E21	P3	YELLOW
A22	P3	GREEN
B22	P3	BLUE
C22	P3	PURPLE

WIRE LIST CONT.		
P0	CABLE	COLOR MAIN/STRIPE
D22	P3	GRAY
E22	P3	WHITE
A23	P3	PINK
B23	P3	LIGHT GREEN
C23	P3	BLACK/WHITE
D23	P3	BROWN/WHITE
E23	P3	RED/WHITE
A24	P3	ORANGE/WHITE
B24	P3	GREEN/WHITE
C24	P3	BLUE/WHITE
D24	P3	PURPLE/WHITE
E24	P3	RED/BLACK
A25	P2	BLACK
B25	P2	BROWN
C25	P2	RED
D25	P2	ORANGE
E25	P2	YELLOW
A26	P2	GREEN
B26	P2	BLUE
C26	P2	PURPLE
D26	P2	GRAY
E26	P2	WHITE
A27	P2	PINK
B27	P2	LIGHT GREEN
C27	P2	BLACK/WHITE
D27	P2	BROWN/WHITE
E27	P2	RED/WHITE
A28	P2	ORANGE/WHITE
B28	P2	GREEN/WHITE
C28	P2	BLUE/WHITE
D28	P2	PURPLE/WHITE
E28	P2	RED/BLACK
A29	P1	BLACK
B29	P1	BROWN
C29	P1	RED
D29	P1	ORANGE
E29	P1	YELLOW
A30	P1	GREEN
B30	P1	BLUE
C30	P1	PURPLE
D30	P1	GRAY
E30	P1	WHITE
A31	P1	PINK
B31	P1	LIGHT GREEN
C31	P1	BLACK/WHITE
D31	P1	BROWN/WHITE
E31	P1	RED/WHITE
A32	P1	ORANGE/WHITE
B32	P1	GREEN/WHITE
C32	P1	BLUE/WHITE
D32	P1	PURPLE/WHITE
E32	P1	RED/BLACK

1. REFER TO PRODUCT MANUAL ON NI.COM FOR MORE DETAILS.

NOTES: UNLESS OTHERWISE SPECIFIED.

CUSTOMER DRAWING

UNLESS OTHERWISE SPECIFIED DIMENSIONS ARE IN INCHES AND [MILLIMETERS]	 NATIONAL INSTRUMENTS®		AUSTIN, TEXAS
	TITLE 160 DIN TO BARE WIRE, 782417-01		
DO NOT SCALE DRAWING THIRD ANGLE PROJECTION			SIZE CODE IDENT NO. DRAWING NO. D 7U296 10/01/18
SCALE: NTS			SHEET 2 OF 2