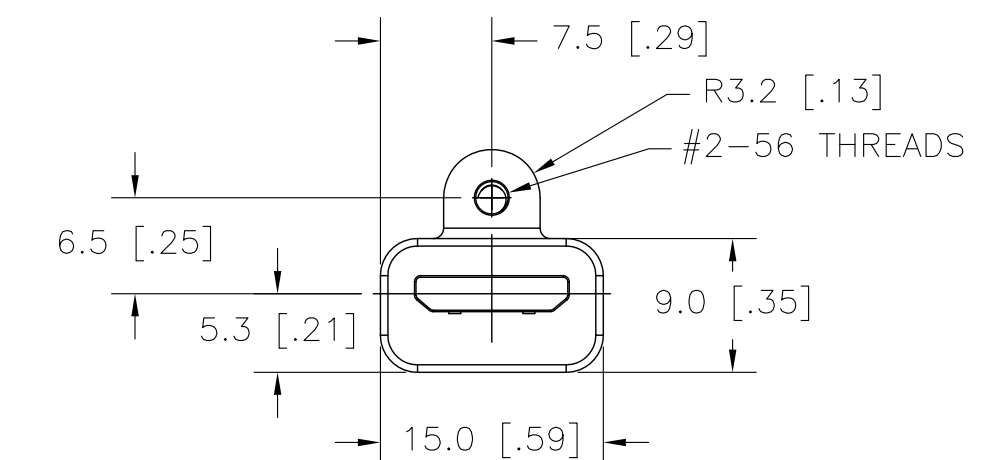
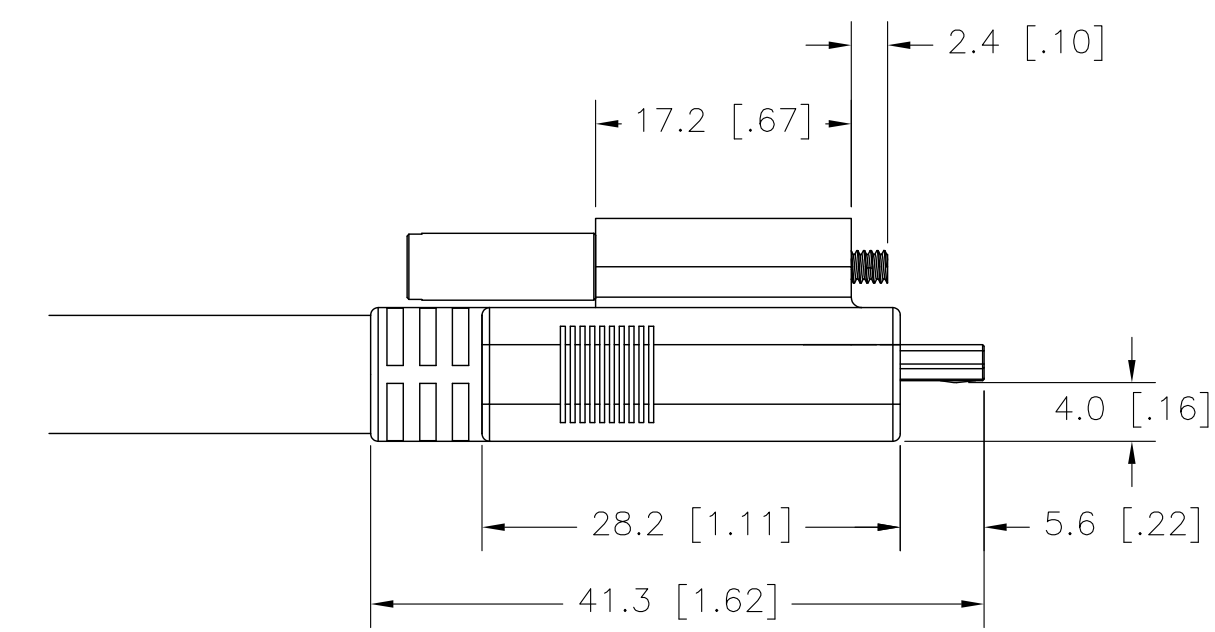
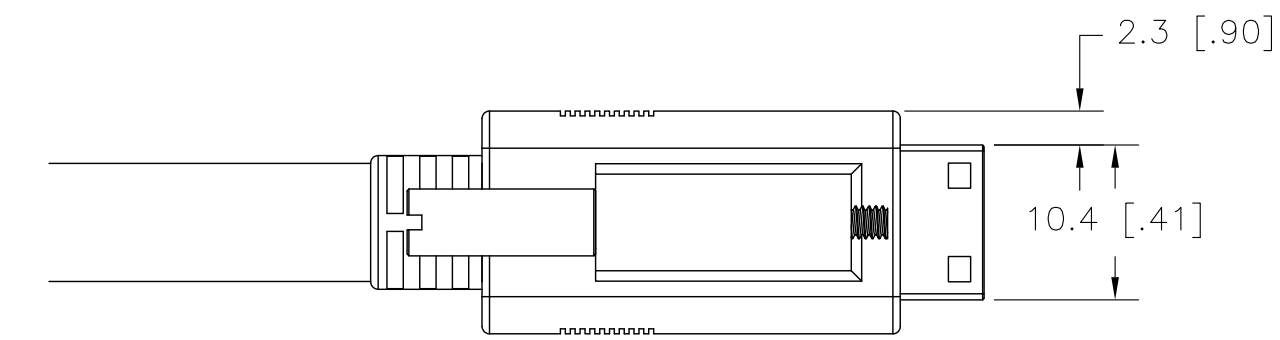


WIRE LIST				
P1	COAX	WIRE COLOR	P2	SIGNAL NAME
1	1	BROWN	8	PFI(0)
2		BROWN SHIELD	7	GND
3	2	PINK	9	PFI(1)
2		PINK SHIELD	7	GND
4	3	ORANGE	11	PFI(2)
5		ORANGE SHIELD	10	GND
6	4	YELLOW	12	PFI(3)
5		YELLOW SHIELD	10	GND
NC	5	GREEN	NC	
NC		GREEN SHIELD	NC	
9	6	BLUE	2	CLKIN
8		BLUE SHIELD	1,3	GND
NC	7	PURPLE	NC	
NC		PURPLE SHIELD	NC	
12	8	GREY	5	CLKOUT
11		GREY SHIELD	4,6	GND
13	9	WHITE	14	PFI(4)
17		WHITE SHIELD	13	GND
15	10	LIGHT PURPLE	15	PFI(5)
17		LIGHT PURPLE SHIELD	13	GND
19	11	LIGHT BLUE	17	PFI(7)
17		LIGHT BLUE SHIELD	19	GND
16	12	LIGHT GREEN	16	PFI(6)
17		LIGHT GREEN SHIELD	19	GND
	SINGLE WIRE			
18	1	RED	18	+3.3V
2,5,8,11,17	2	BLACK	1,3,4,6,7,10,13,19	GND



1. REFER TO PRODUCT MANUAL ON NI.COM FOR MORE DETAILS.

NOTES: UNLESS OTHERWISE SPECIFIED.

UNLESS OTHERWISE SPECIFIED DIMENSIONS ARE IN MILLIMETERS AND [INCHES]		 AUSTIN, TEXAS	
DO NOT SCALE DRAWING		TITLE CABLE ASSEMBLY, TYPE SHH19-MH19-AUX WITH JACKSCREW	
THIRD ANGLE PROJECTION		SIZE CODE IDENT NO. MM/DD/YYYY D 7U296 03/12/2019	
		SCALE: NTS	SHEET 1 OF 1