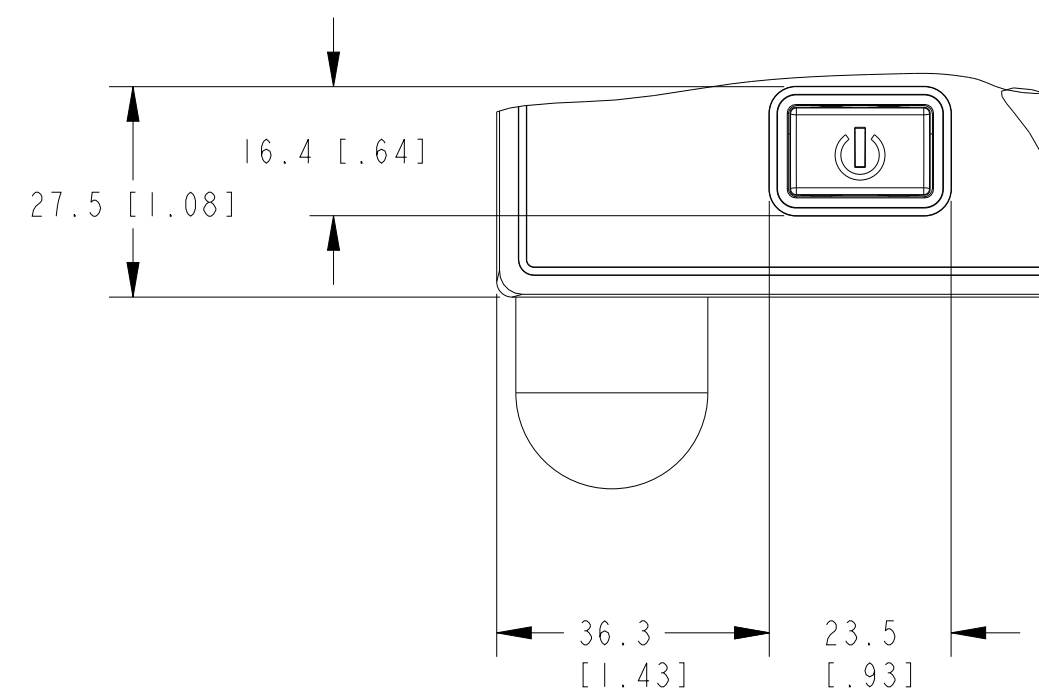
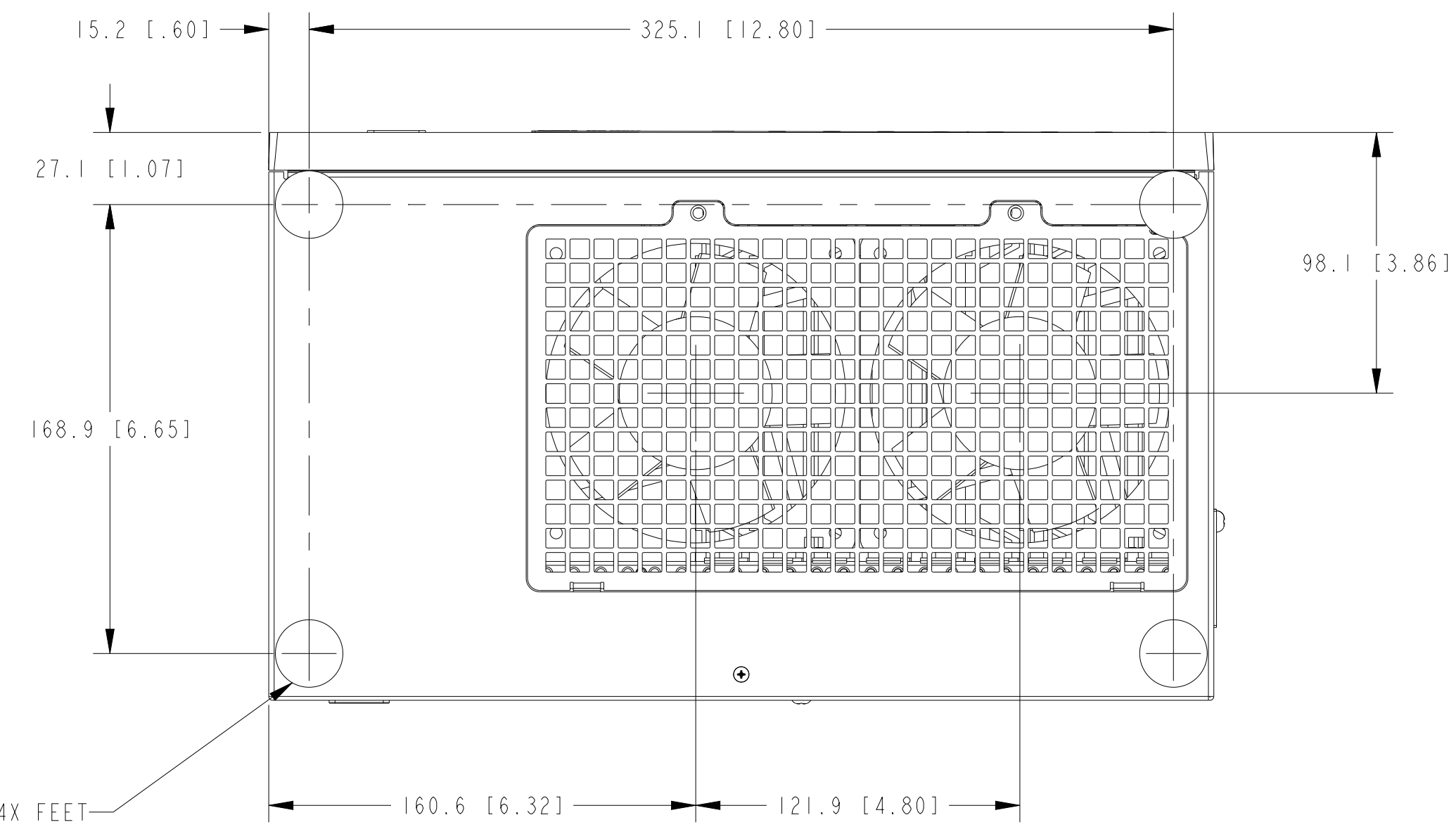
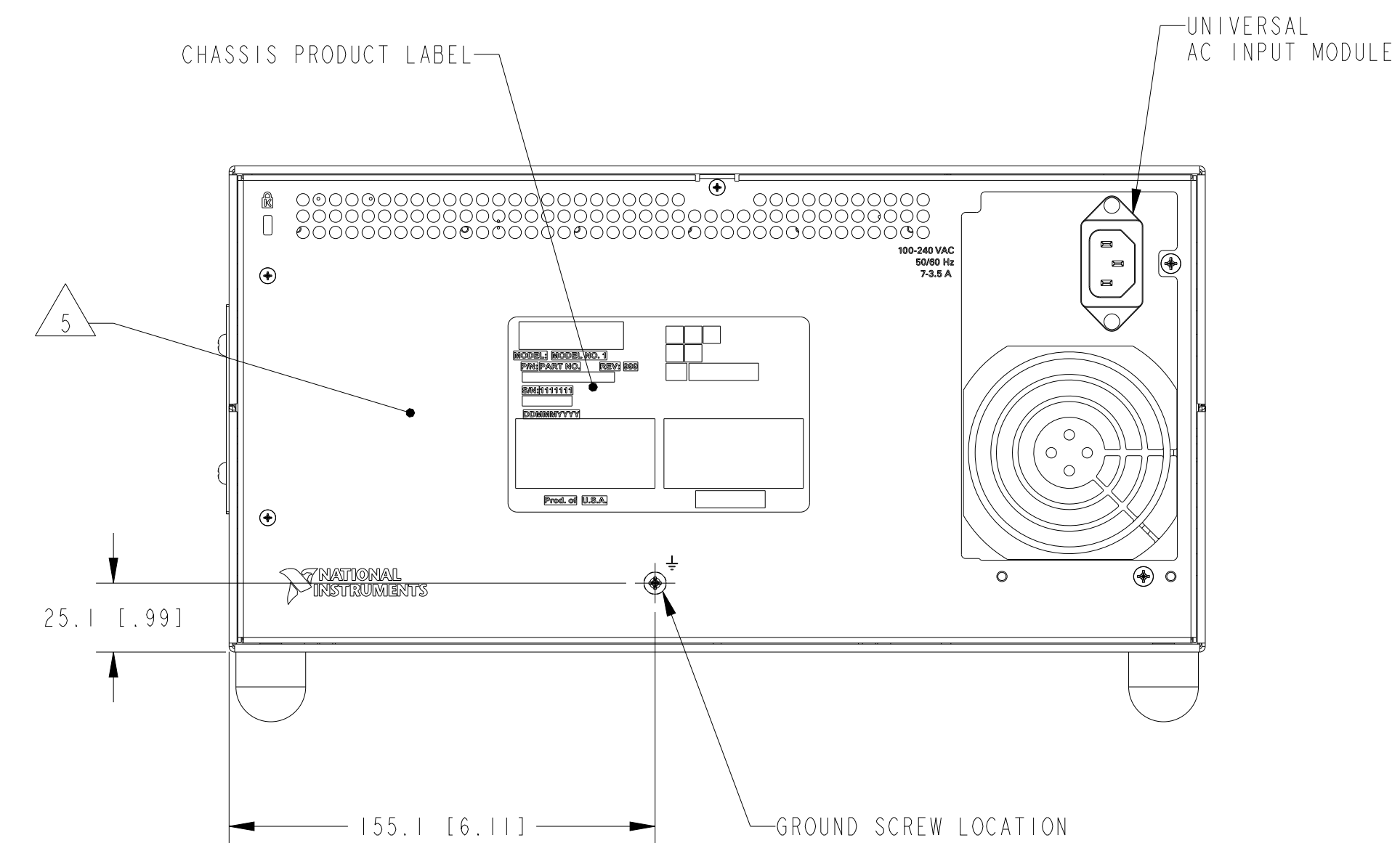
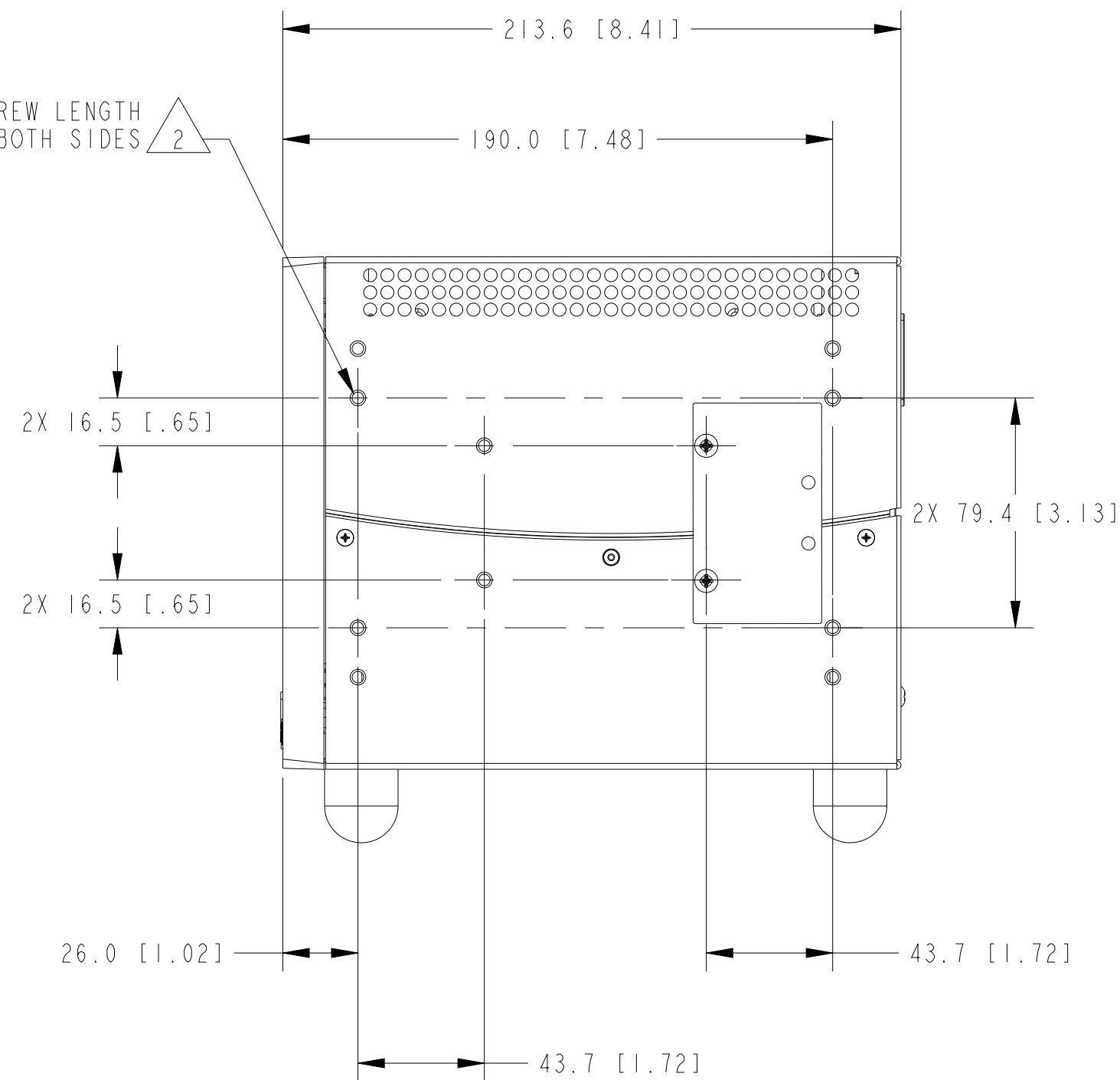


8X M4 ∇ 6.35 [1.250] MAX SCREW LENGTH BOTH SIDES \triangle 2



DETAIL A
 SCALE 1/1

- \triangle 6 USER MUST PROVIDE MINIMUM COOLING/VENTING CLEARANCE AS SHOWN. FAILURE TO PROVIDE THIS CLEARANCE MAY RESULT IN CHASSIS OR MODULE THERMAL RELATED ISSUES.
- \triangle 5 BRUSHED METAL FINISH.
- \triangle 4 NI COMPASS BLUE COLOR.
- \triangle 3 NI COMPASS WHITE COLOR.
- \triangle 2 THERE ARE FOUR M4 HOLES ON EACH SIDE OF CHASSIS FOR OPTIONAL RACK MOUNT KIT.

1. REFER TO PRODUCT MANUAL ON NI.COM FOR MORE DETAILS

NOTES: UNLESS OTHERWISE SPECIFIED.

METRIC

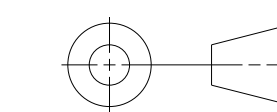
CUSTOMER DRAWING

UNLESS OTHERWISE SPECIFIED
 DIMENSIONS ARE IN MILLIMETERS
 AND [INCHES]



DO NOT SCALE DRAWING
 THIRD ANGLE PROJECTION

TITLE
 CUSTOMER DRAWING,
 CHASSIS ASSEMBLY,
 PXIe-1088



SIZE CODE IDENT NO. MM/DD/YYYY
 D 7U296 05/15/2020

SCALE: 1/2

SHEET 1 OF 2

CU.PXIe-1088

