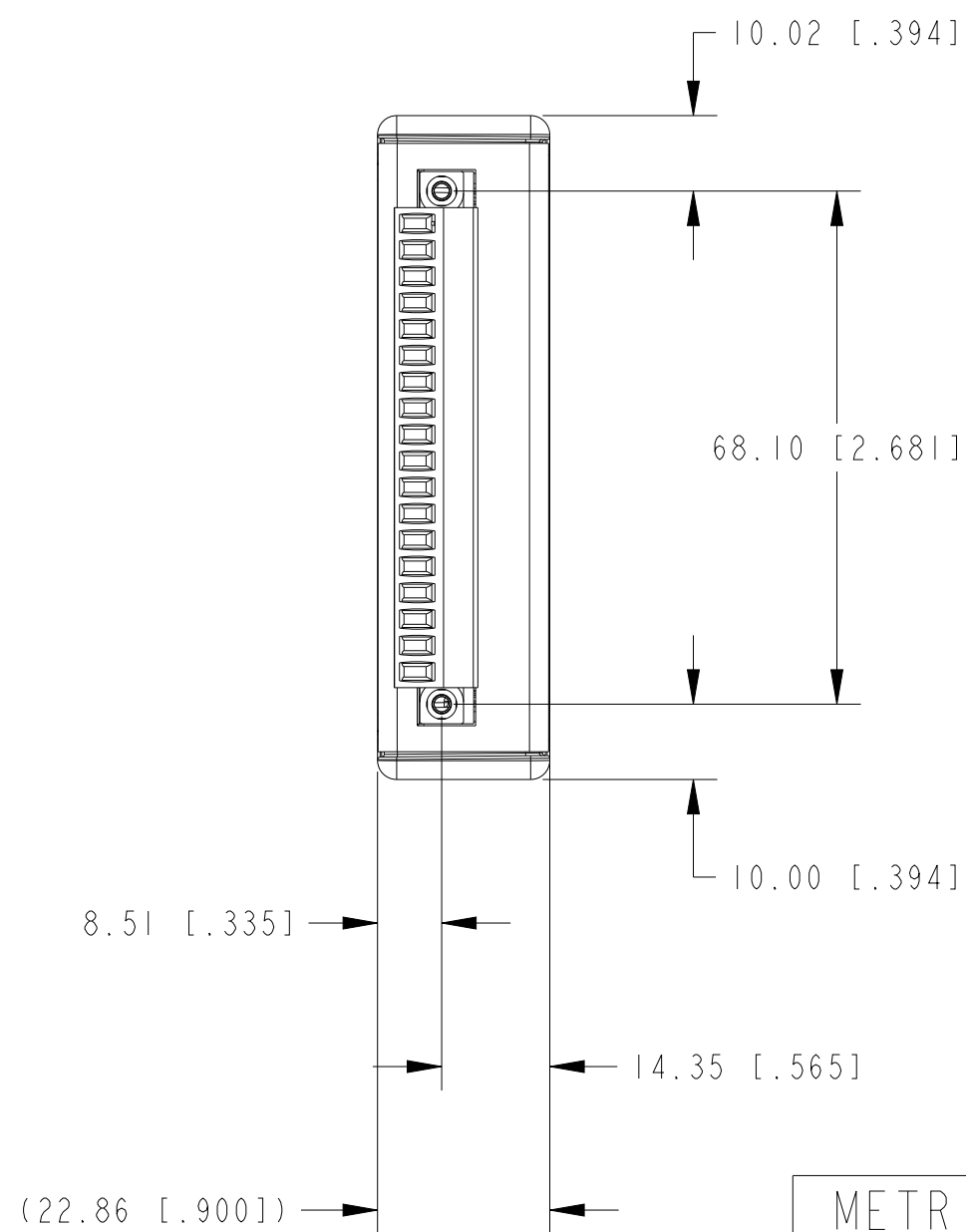
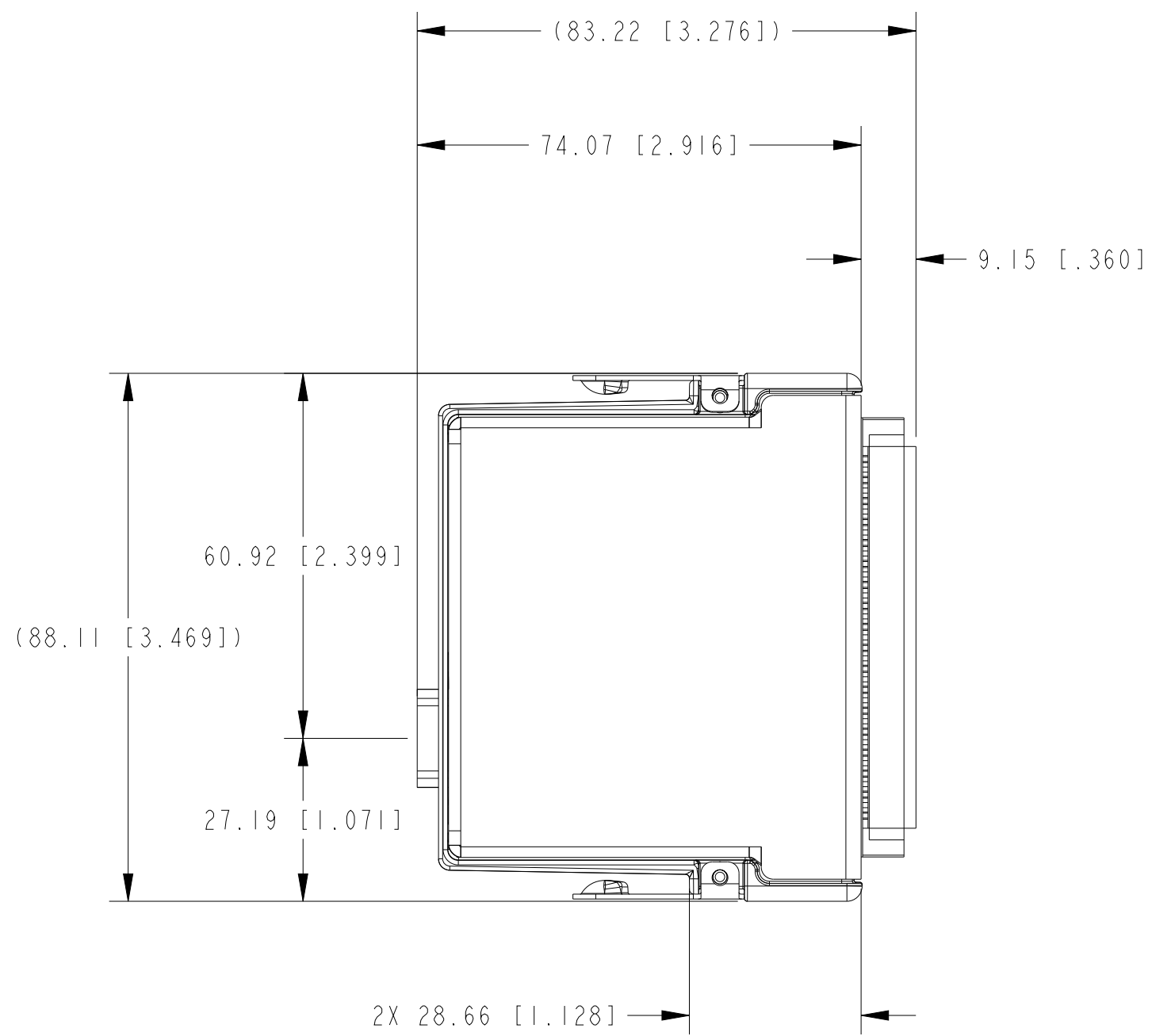


ISOMETRIC VIEW



METRIC

CUSTOMER DRAWING

UNLESS OTHERWISE SPECIFIED
 DIMENSIONS ARE IN MILLIMETERS
 AND [INCHES]



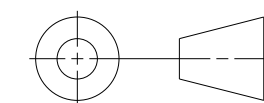
AUSTIN, TEXAS

DO NOT SCALE DRAWING

TITLE

NI 9266

THIRD ANGLE PROJECTION



SIZE CODE IDENT NO. MM/DD/YYYY

C7U296

03/20/2019

SCALE: 1/1

SHEET 1 OF 1

2. DIMENSIONS IN () ARE FOR REFERENCE ONLY.

1. REFER TO PRODUCT MANUAL ON NI.COM FOR MORE DETAILS

NOTES: UNLESS OTHERWISE SPECIFIED.