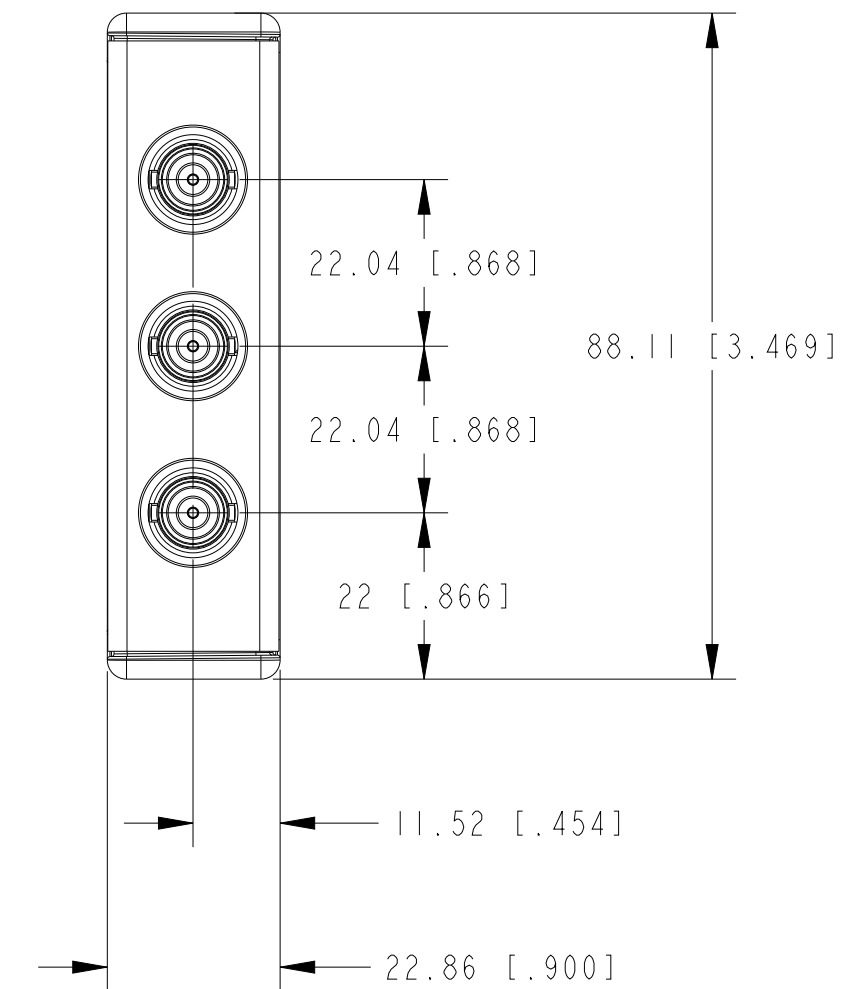
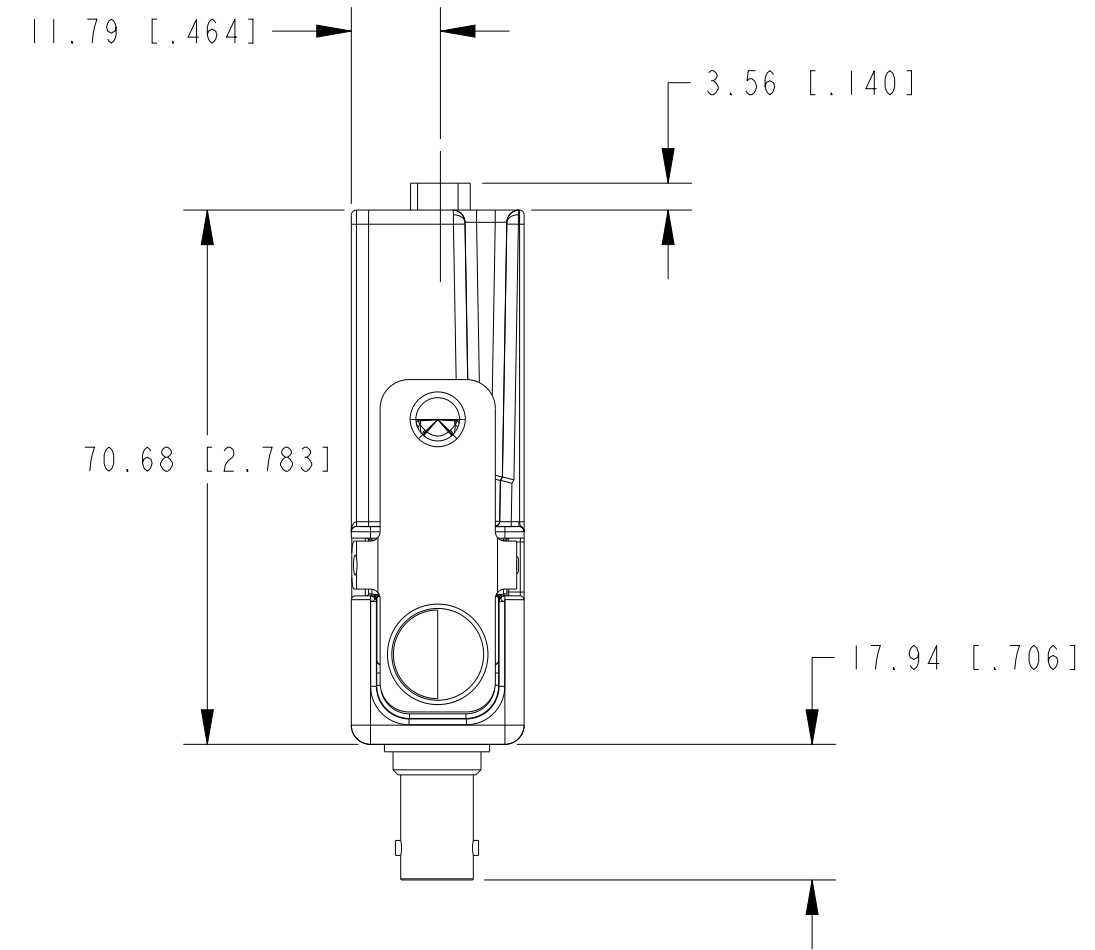
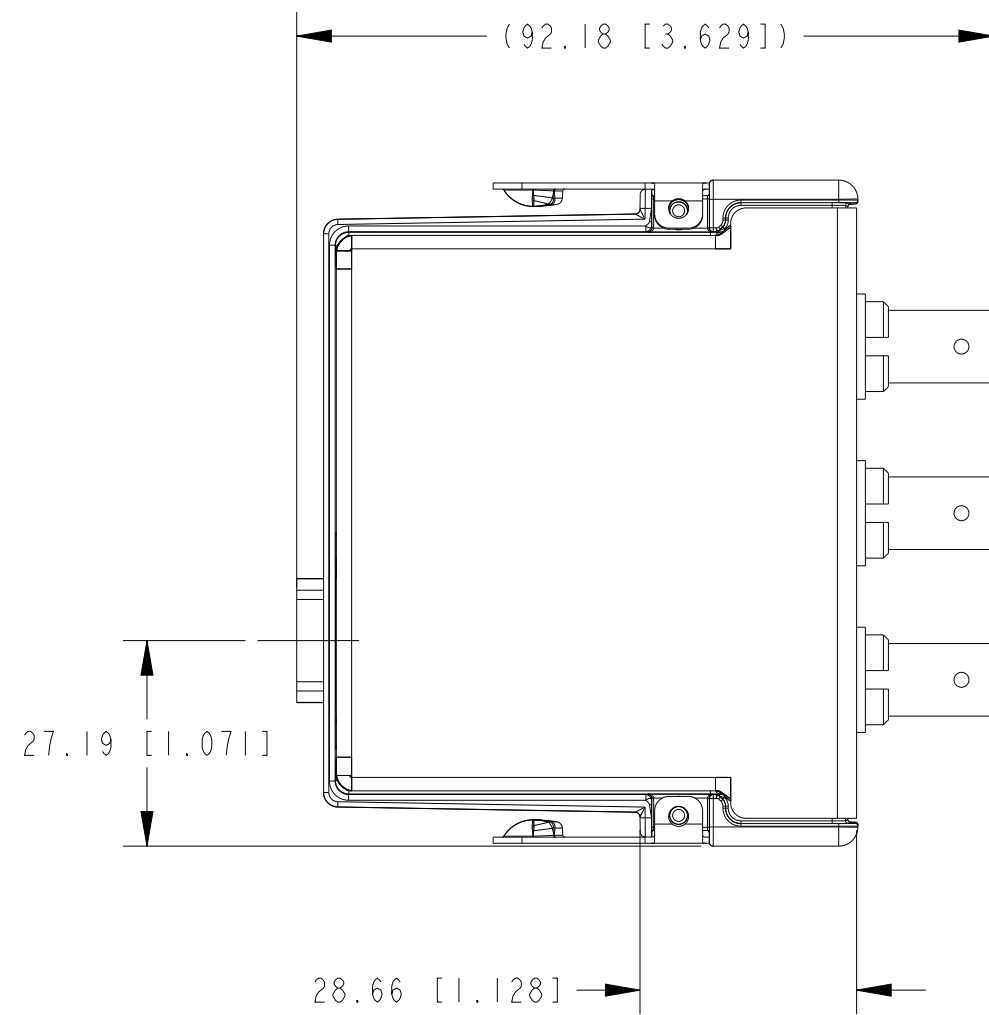


ISOMETRIC VIEW



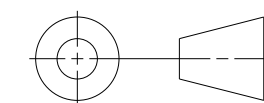
METRIC

CUSTOMER DRAWING

UNLESS OTHERWISE SPECIFIED  
 DIMENSIONS ARE IN MILLIMETERS  
 AND [INCHES]

DO NOT SCALE DRAWING

THIRD ANGLE PROJECTION



AUSTIN, TEXAS

TITLE

NI-9232 BNC

SIZE CODE IDENT NO. MM/DD/YYYY

C7U296

05/03/19

SCALE: 1/1

SHEET 1 OF 1

1. REFER TO PRODUCT MANUAL ON NI.COM FOR MORE DETAILS  
 NOTES: UNLESS OTHERWISE SPECIFIED.