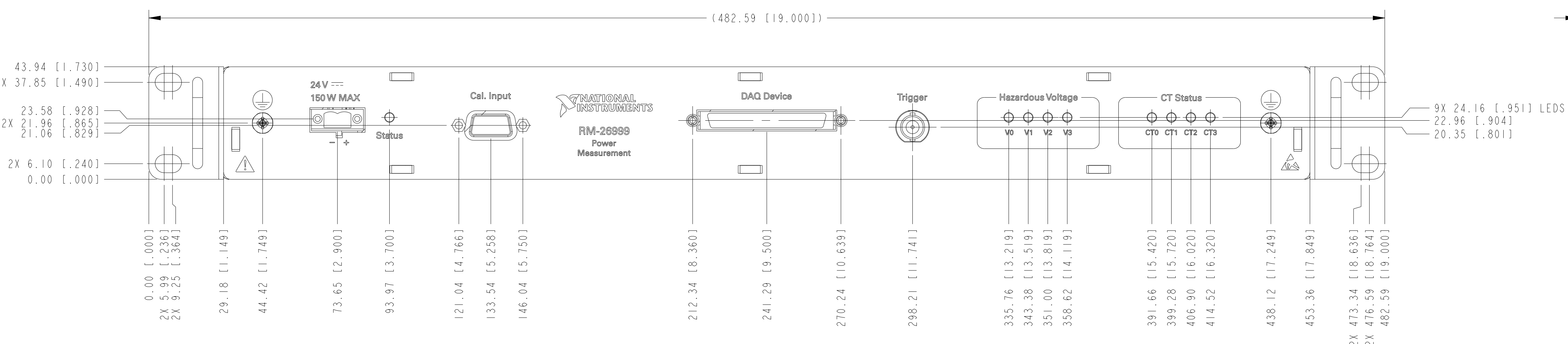
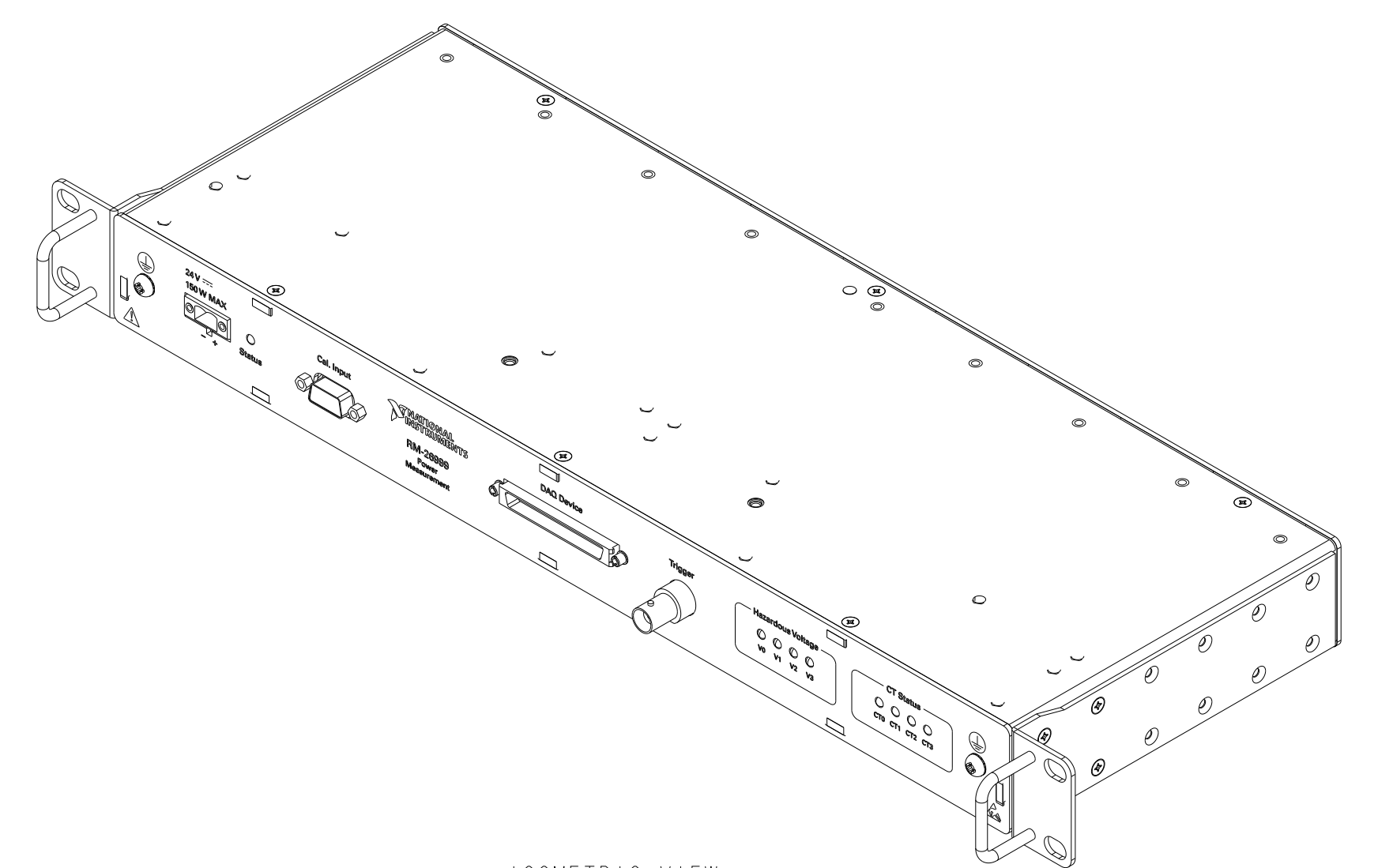
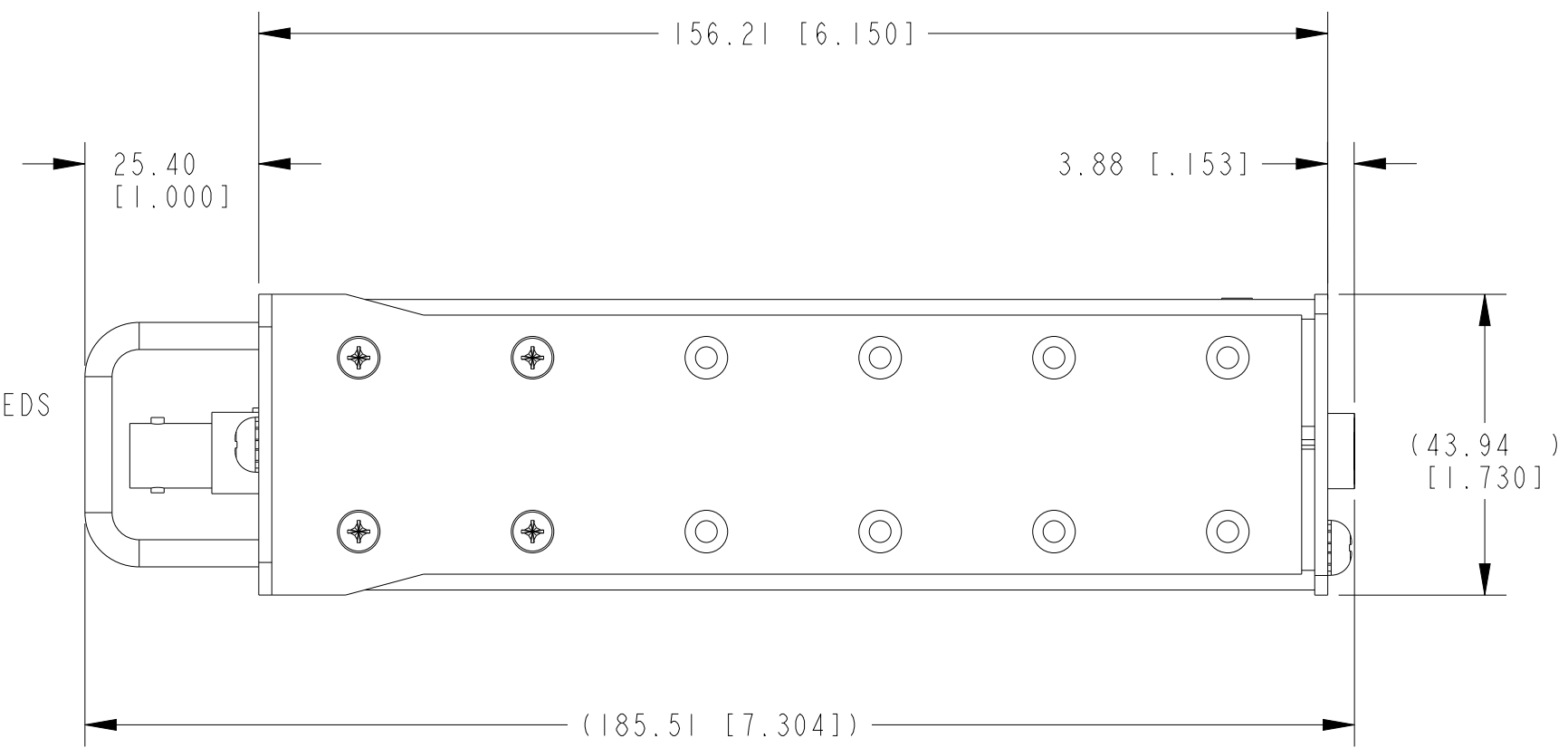


REAR VIEW



FRONT VIEW



2. DIMENSIONS IN () ARE FOR REFERENCE ONLY.
 1. REFER TO PRODUCT MANUAL ON NI.COM FOR MORE DETAILS
 NOTES: UNLESS OTHERWISE SPECIFIED.

METRIC	CUSTOMER DRAWING	
UNLESS OTHERWISE SPECIFIED DIMENSIONS ARE IN MILLIMETERS AND (INCHES)	NATIONAL INSTRUMENTS® AUSTIN, TEXAS	
DO NOT SCALE DRAWING THIRD ANGLE PROJECTION	TITLE RM-26999	
	SIZE CODE IDENT NO. MM/DD/YYYY	D 7U296 12/11/2018
	SCALE: 1/1	SHEET 1 OF 1