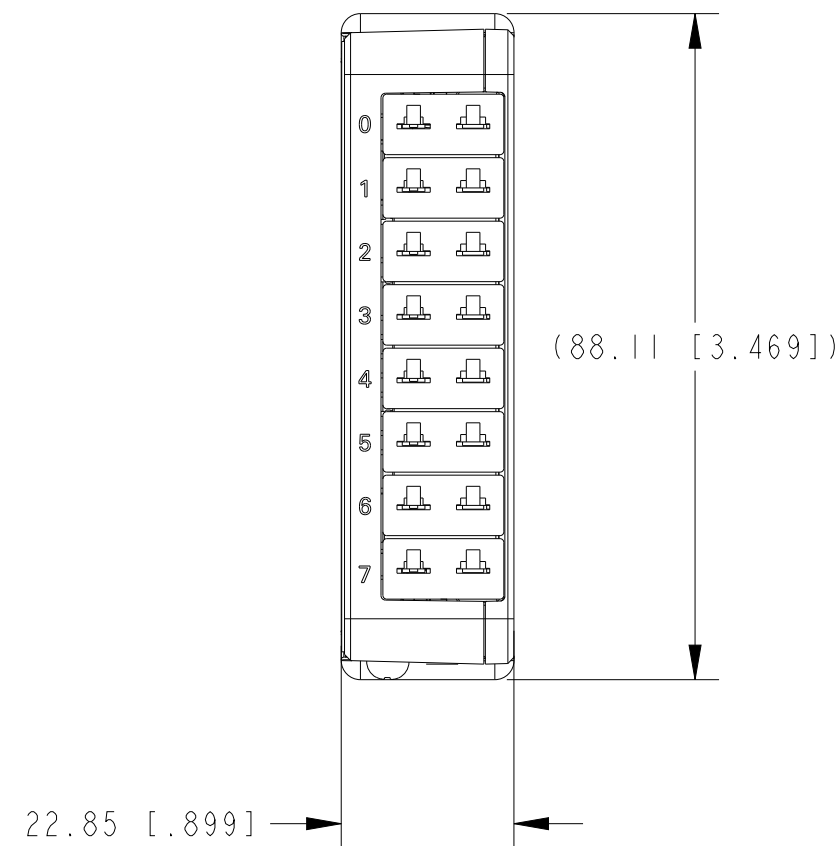
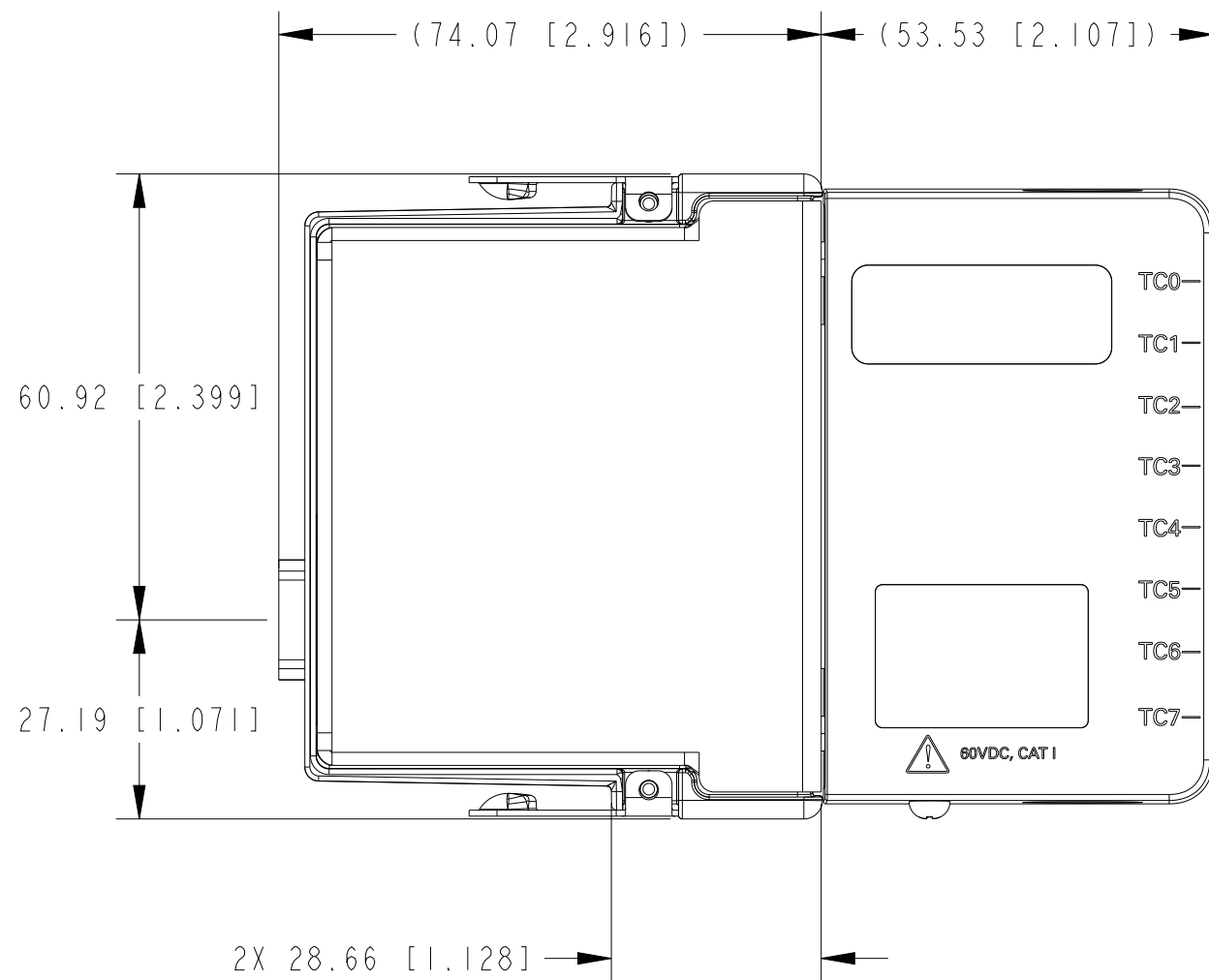
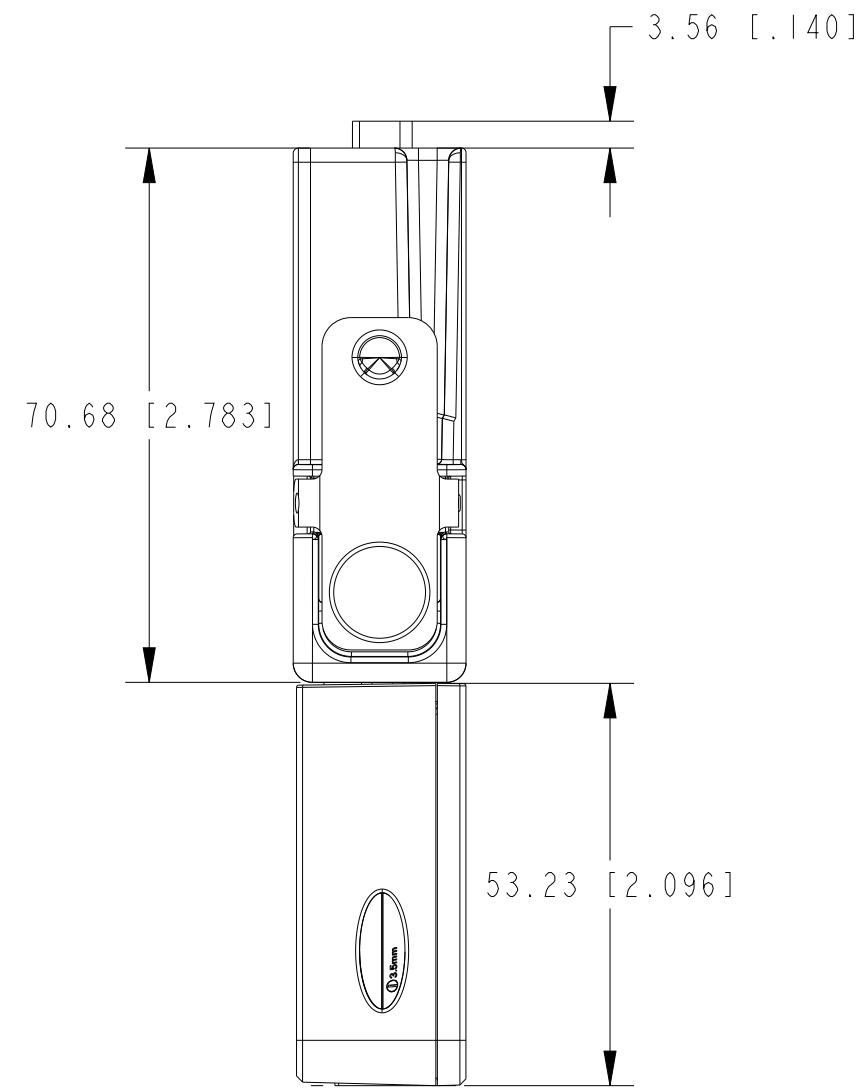


ISOMETRIC VIEW



SEE SHEET 2 FOR TB-9212 MINI TC DIMENSIONS

METRIC

CUSTOMER DRAWING

UNLESS OTHERWISE SPECIFIED
 DIMENSIONS ARE IN MILLIMETERS
 AND [INCHES]



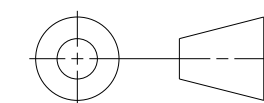
AUSTIN, TEXAS

DO NOT SCALE DRAWING

TITLE

NI 9212 MINI TC

THIRD ANGLE PROJECTION



SIZE CODE IDENT NO. MM/DD/YYYY

C7U296

12/10/2018

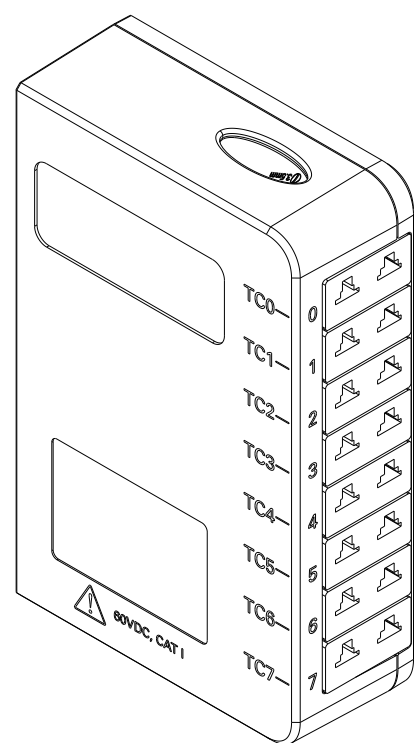
SCALE: 1/1

SHEET 1 OF 2

2. DIMENSIONS IN () ARE FOR REFERENCE ONLY.

1. REFER TO PRODUCT MANUAL ON NI.COM FOR MORE DETAILS

NOTES: UNLESS OTHERWISE SPECIFIED.



TB-9212 MINI TC ONLY
 ISOMETRIC VIEW

