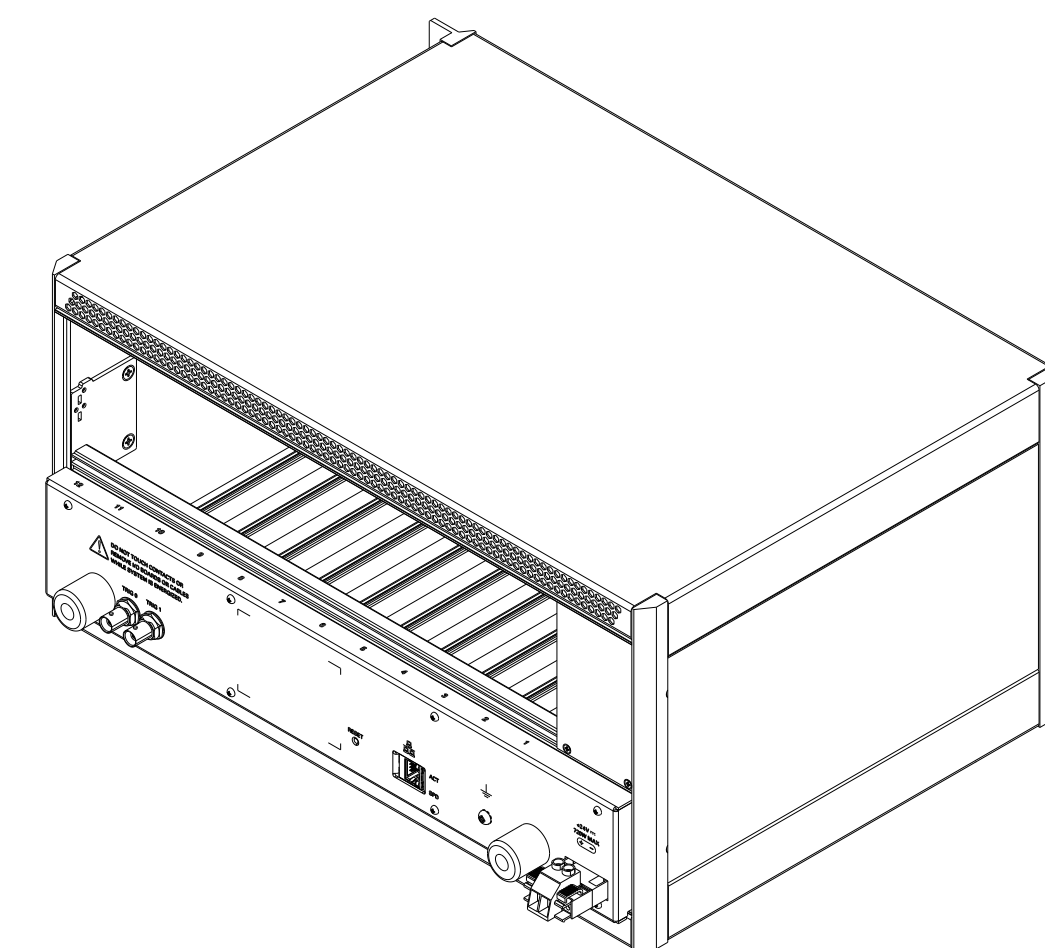


FRONT ISOMETRIC VIEW
 SCALE 1/4



REAR ISOMETRIC VIEW
 SCALE 1/4

2. DIMENSIONS IN () ARE FOR REFERENCE ONLY.
 1. REFER TO PRODUCT MANUAL ON NI.COM FOR MORE DETAILS
 NOTES: UNLESS OTHERWISE SPECIFIED.

METRIC UNLESS OTHERWISE SPECIFIED DIMENSIONS ARE IN INCHES AND MILLIMETERS. DO NOT SCALE DRAWING THIRD ANGLE PROJECTION 	NATIONAL INSTRUMENTS® AUSTIN, TEXAS TITLE SLSC-12001
	SIZE CODE IDENT NO. MM/DD/YYYY D 7U296 05/22/2017 SCALE: 1/2 SHEET 1 OF 2 CU.SLSC-12001

