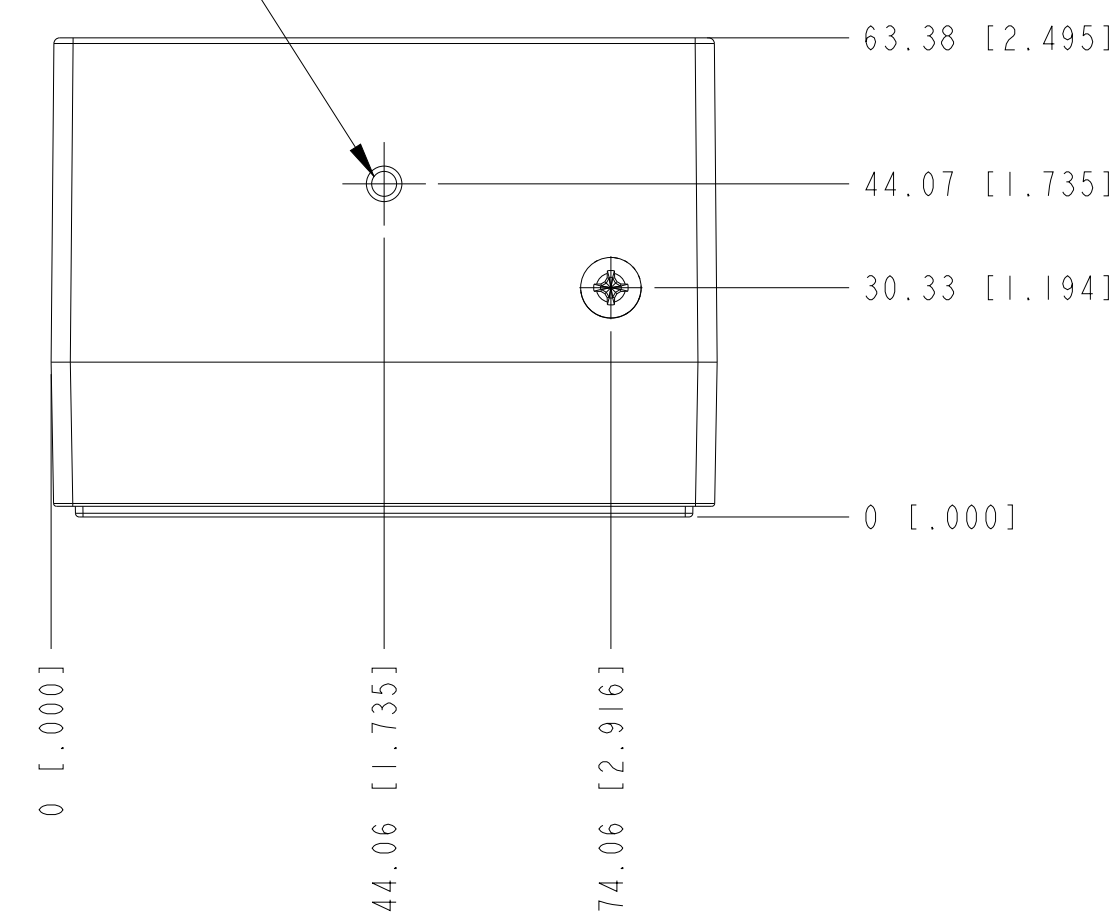


2X M4 X 0.7, 5.0 [0.20]
 MAX INSERTION DEPTH

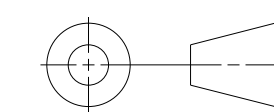


1. REFER TO PRODUCT MANUAL ON NI.COM FOR MORE DETAILS
 NOTES: UNLESS OTHERWISE SPECIFIED.

METRIC

UNLESS OTHERWISE SPECIFIED
 DIMENSIONS ARE IN INCHES AND
 MILLIMETERS.

DO NOT SCALE DRAWING
 THIRD ANGLE PROJECTION



NATIONAL INSTRUMENTS® AUSTIN, TEXAS	
TITLE	
cDAQ-9189	
SIZE CODE	IDENT NO. MM/DD/YYYY
D 7U296	05/05/2017
SCALE: 1/1	SHEET 1 OF 1