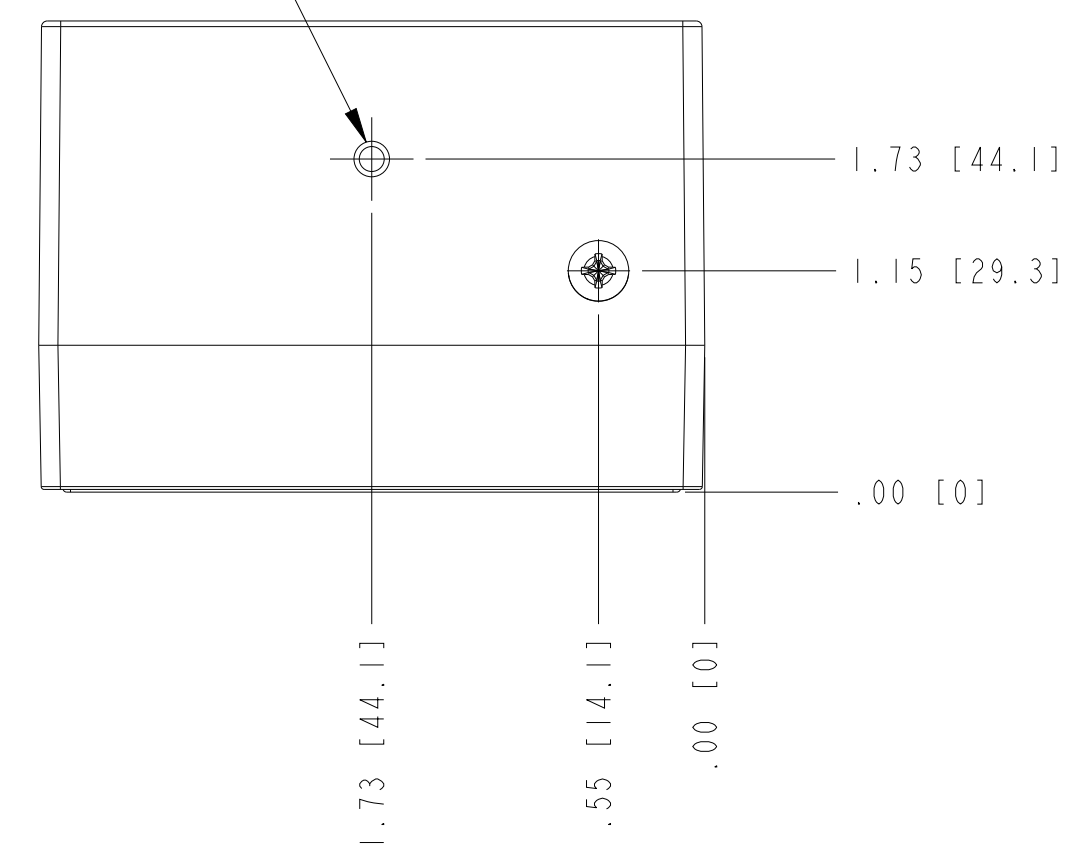


2X M4 X .07, .20 [5] MAX INSERTION DEPTH



1. REFER TO PRODUCT MANUAL ON NI.COM FOR MORE DETAILS
 NOTES: UNLESS OTHERWISE SPECIFIED.

UNLESS OTHERWISE SPECIFIED DIMENSIONS ARE IN INCHES AND [MILLIMETERS].	NATIONAL INSTRUMENTS® AUSTIN, TEXAS	
	TITLE NI-9145	
DO NOT SCALE DRAWING THIRD ANGLE PROJECTION	SIZE CODE IDENT NO. MM/DD/YYYY D 7U296 08/29/2016	
	SCALE: 1/1	SHEET 1 OF 1

CU.NI-9145