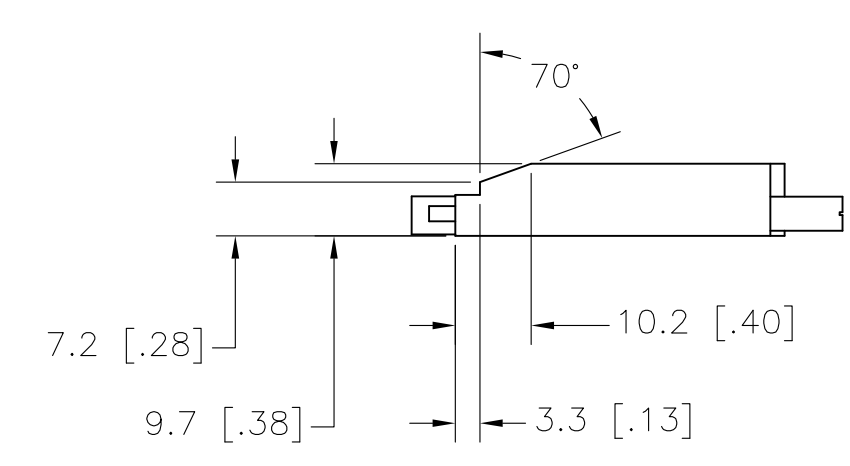
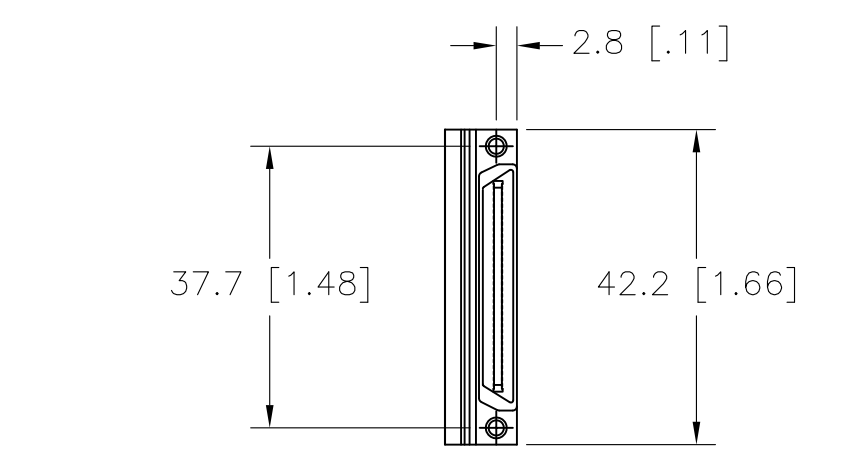


MINIMUM BEND RADIUS

WIRE LIST					
P1 68-POS VHDCI CONN		COAXIAL COMPONENT	P2 68-POS VHDCI CONN		SIGNAL NAME
PAD #	PIN #		PAD #	PIN #	
1	1	1	1	1	I/O 31
2	2	SHIELD-1	2	2	DGND
3	3	2	3	3	I/O 29
4	4	SHIELD-2	4	4	DGND
5	5	3	5	5	I/O 27
6	4	SHIELD-3	6	4	DGND
7	7	4	7	7	I/O 25
8	6	SHIELD-4	8	6	DGND
9	8	5	9	8	RES 2
10	6	SHIELD-5	10	6	DGND
11	9	6	11	9	I/O 23
12	10	SHIELD-6	12	10	DGND
13	11	7	13	11	I/O 21
14	12	SHIELD-7	14	12	DGND
15	13	8	15	13	I/O 19
16	14	SHIELD-8	16	14	DGND
17	15	9	17	15	I/O 17
18	16	SHIELD-9	18	16	DGND
19	17	10	19	17	I/O 15
20	18	SHIELD-10	20	18	DGND
21	19	11	21	19	I/O 13
22	20	SHIELD-11	22	20	DGND
23	21	12	23	21	I/O 11
24	22	SHIELD-12	24	22	DGND
25	23	13	25	23	I/O 9
26	22	SHIELD-13	26	22	DGND
27	25	14	27	25	I/O 7
28	24	SHIELD-14	28	24	DGND
29	26	15	29	26	TRIG 1
30	24	SHIELD-15	30	24	DGND
31	27	16	31	27	I/O 5
32	28	SHIELD-16	32	28	DGND
33	29	17	33	29	I/O 3
34	28	SHIELD-17	34	28	DGND
35	30	18	35	30	TRIG 3
36	32	SHIELD-18	36	32	DGND
37	31	19	37	31	I/O 1
38	32	SHIELD-19	38	32	DGND
39	33	20	39	33	CLK OUT/TRIG 4
40	34	SHIELD-20	40	34	DGND

WIRE LIST					
P1 68-POS VHDCI CONN		COAXIAL COMPONENT	P2 68-POS VHDCI CONN		SIGNAL NAME
PAD #	PIN #		PAD #	PIN #	
41	35	21	41	35	I/O 30
42	36	SHIELD-21	42	36	DGND
43	37	22	43	37	I/O 28
44	38	SHIELD-22	44	38	DGND
45	39	23	45	39	I/O 26
46	40	SHIELD-23	46	40	DGND
47	41	24	47	41	I/O 24
48	42	SHIELD-24	48	42	DGND
49	43	25	49	43	I/O 22
50	44	SHIELD-25	50	44	DGND
51	45	26	51	45	I/O 20
52	46	SHIELD-26	52	46	DGND
53	47	27	53	47	I/O 18
54	48	SHIELD-27	54	48	DGND
55	49	28	55	49	I/O 16
56	48	SHIELD-28	56	48	DGND
57	51	29	57	51	I/O 14
58	50	SHIELD-29	58	50	DGND
59	52	30	59	52	TRIG 0
60	50	SHIELD-30	60	50	DGND
61	53	31	61	53	I/O 12
62	54	SHIELD-31	62	54	DGND
63	55	32	63	55	I/O 10
64	54	SHIELD-32	64	54	DGND
65	57	33	65	57	I/O 8
66	56	SHIELD-33	66	56	DGND
67	59	34	67	59	I/O 6
68	58	SHIELD-34	68	58	DGND
69	60	35	69	60	RES 0
70	58	SHIELD-35	70	58	DGND
71	61	36	71	61	I/O 4
72	62	SHIELD-36	72	62	DGND
73	63	37	73	63	I/O 2
74	62	SHIELD-37	74	62	DGND
75	64	38	75	64	TRIG 2
76	66	SHIELD-38	76	66	DGND
77	65	39	77	65	I/O 0
78	66	SHIELD-39	78	66	DGND
79	67	40	79	67	STROBE/TRIG 5
80	68	SHIELD-40	80	68	DGND



LENGTH	TOLERANCE
<2M	+5 CM/-0 CM
2 TO 5M	+10 CM/-0 CM
>5M	+15 CM/-0 CM

NOTE: WIRE LIST COLORS MAY NOT BE ACCURATE  
AS RAW CABLE TYPE MAY BE CHANGED DURING PRODUCTION.

1. REFER TO PRODUCT MANUAL ON NI.COM FOR MORE DETAILS.  
NOTES: UNLESS OTHERWISE SPECIFIED.

<p>METRIC</p> <p>UNLESS OTHERWISE SPECIFIED DIMENSIONS ARE IN MILLIMETERS AND [INCHES]</p> <p>DO NOT SCALE DRAWING THIRD ANGLE PROJECTION</p>	<p>CUSTOMER DRAWING</p> <p>NI.COM AUSTIN, TEXAS</p>	
	<p>TITLE</p> <p>SHC68-C68-D4</p>	
<p>SCALE: 1/1</p>	<p>SIZE CODE IDENT NO. MM/DD/YYYY</p> <p>D 7U296 01/23/2025</p>	<p>SHEET 1 OF 1</p>