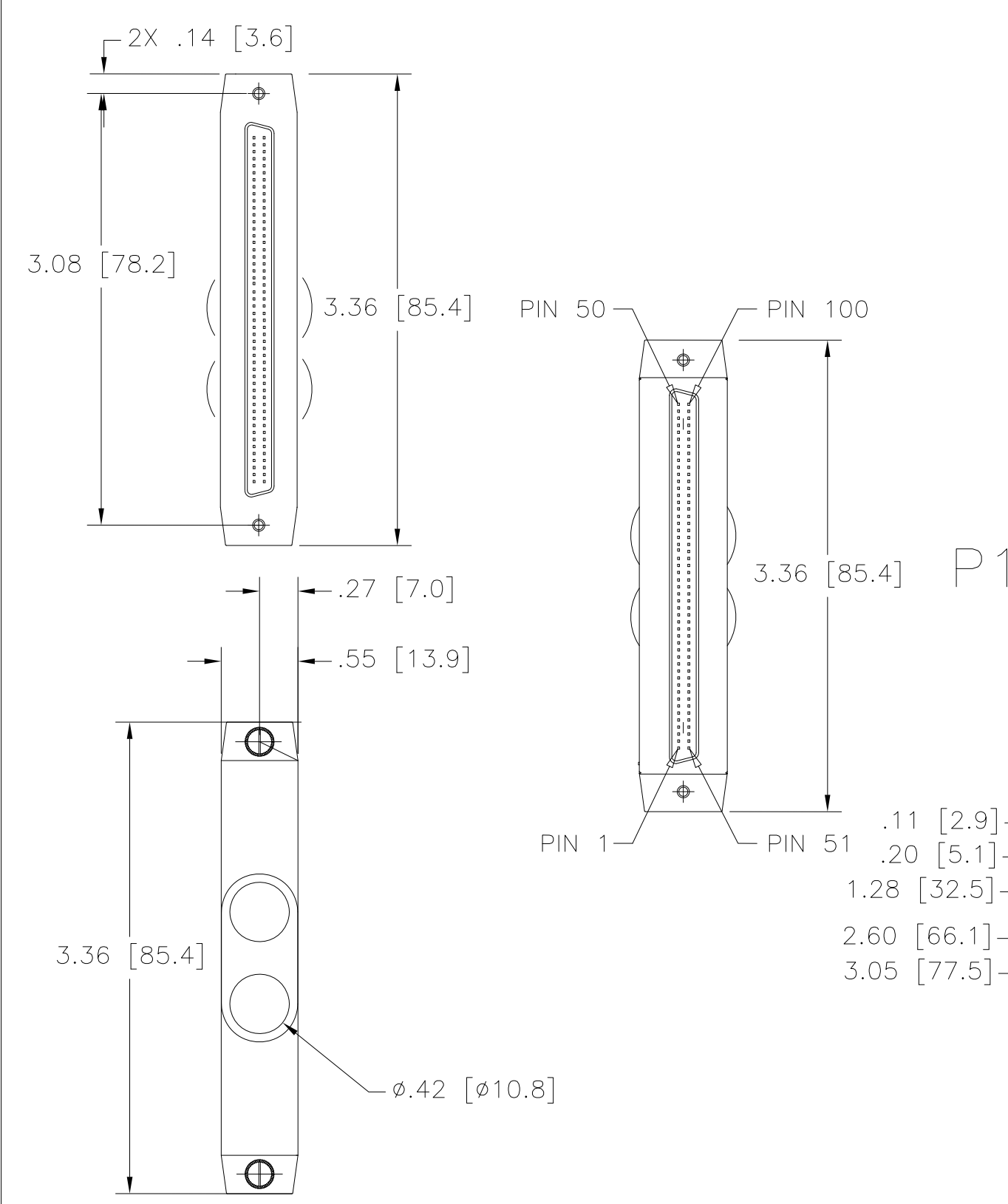


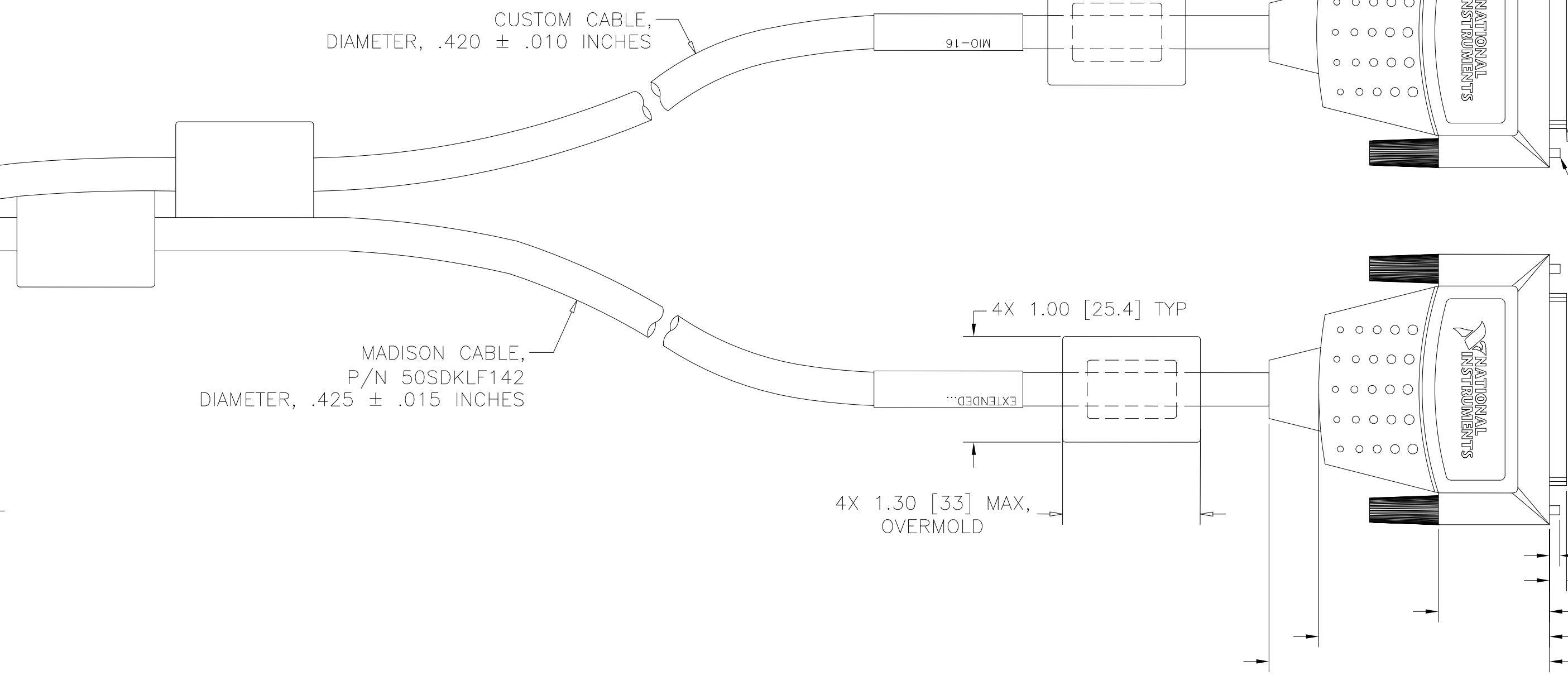
CUSTOMER DRAWING COMPATIBILITY			
REV	DESCRIPTION	DATE	APPROVED
A	DRAWING COMPATIBLE, OBSOLETE	—	—
B	DRAWING COMPATIBLE, OBSOLETE	—	—
C	DRAWING COMPATIBLE, RELEASED	—	—



100-POS SCSI-II, CONNECTOR
TE P/N 749111-8
JACKSCREW WITH 2-56 UNC-2A THREADS

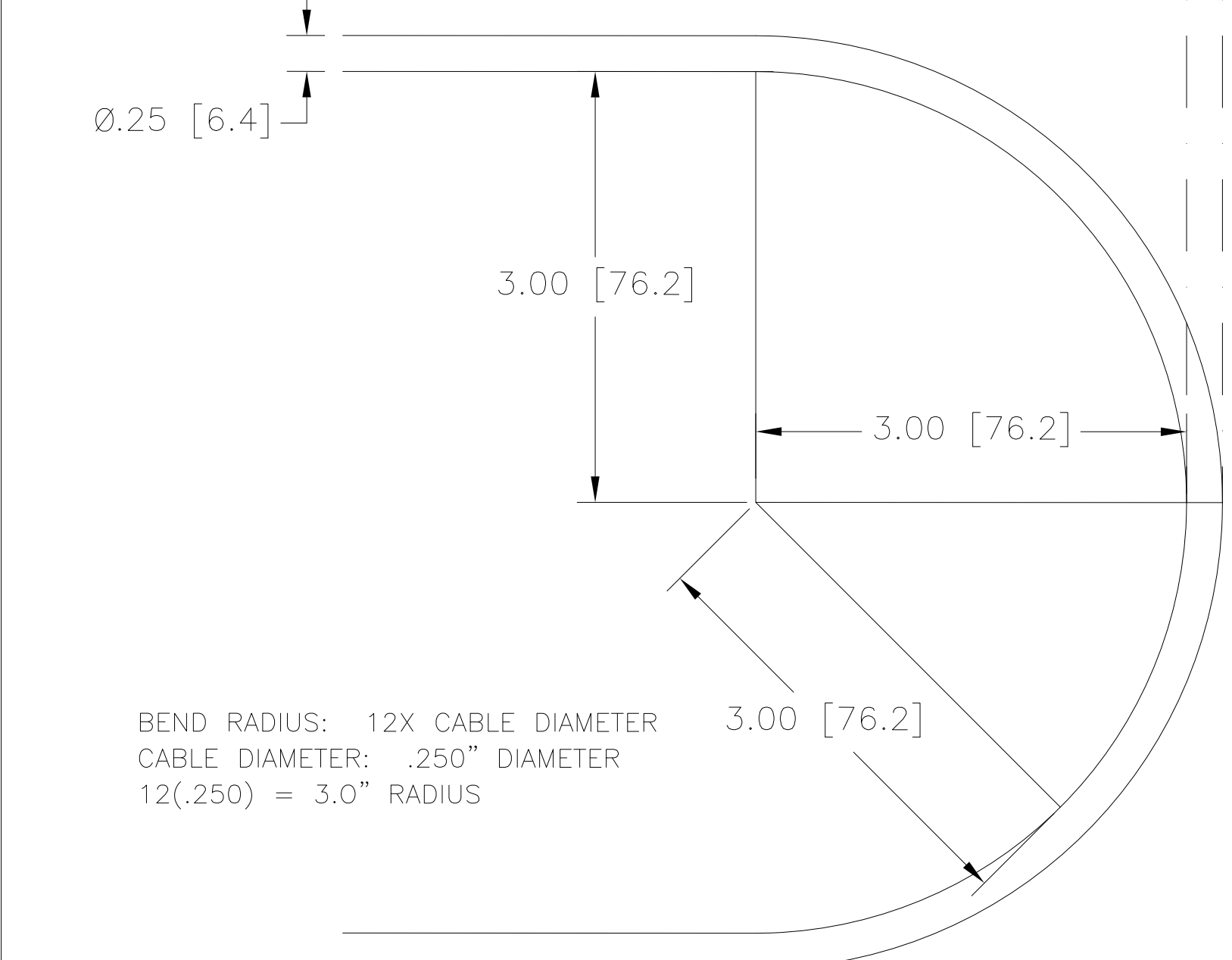
4X STEWARD FERRITE, P/N 28B0734-000

2X 68-POS SCSI II, CONNECTOR
DYNAPLUS P/N 21012XX02
JACKSCREWS 2-56 UNC-2A THREADS



MADISON CABLE, P/N 50SDKLF142
DIAMETER, .425 ± .015 INCHES

4X 1.30 [.33] MAX, OVERMOLD



BEND RADIUS: 12X CABLE DIAMETER
CABLE DIAMETER: .250" DIAMETER
12(.250) = 3.0" RADIUS

BEND RADIUS EXAMPLE

CONDUCTOR SPECIFICATIONS:

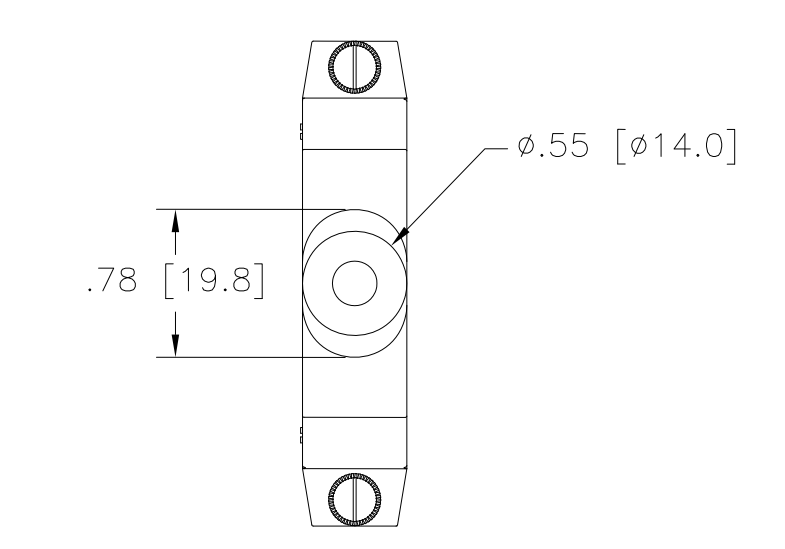
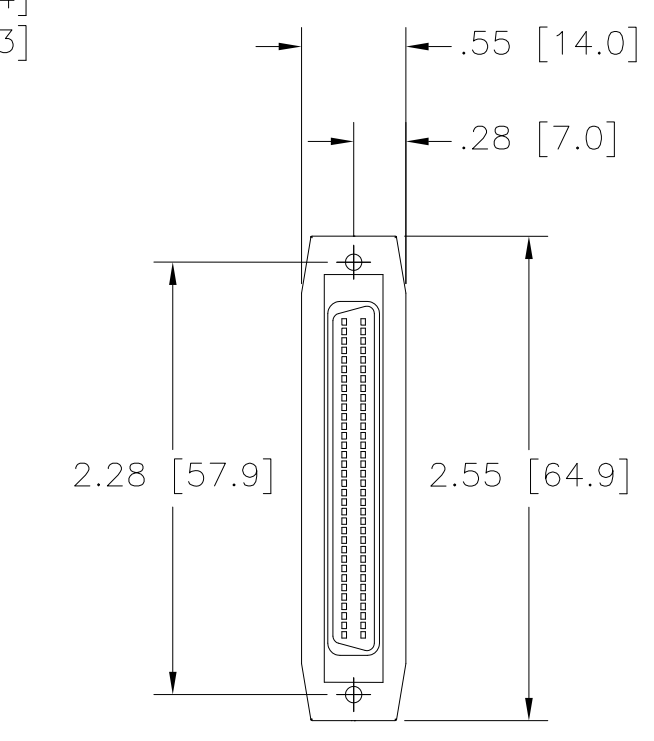
CONDUCTOR: 28AWG 7/36 TIN PLATED COPPER, .015 INCH DIAMETER
INSULATION: .0075 INCHES OF POLYPROPYLENE, .030 INCH DIAMETER
CONDUCTOR: 28AWG 7/36 TIN PLATED COPPER, .015 INCH DIAMETER
INSULATION: .010 INCHES OF POLYPROPYLENE, .035 INCH DIAMETER
BEND RADIUS: 12X CABLE DIAMETER (SEE EXAMPLE) PER SPECIFICATIONS
2014 NEC SECTION 300.34 CONDUCTOR BEND RADIUS
2014 NEC SECTION 300.24 BENDING RADIUS

1. REFER TO PRODUCT MANUAL ON NI.COM FOR MORE DETAILS.
NOTES: UNLESS OTHERWISE SPECIFIED.

WIRE LIST 1A			
P1 100-POS	MAIN COLOR/RING COLOR	P2 68-POS	
PIN NO	MAIN COLOR/LINE COLOR	PIN NO	
7	WHITE/BLACK	65	
8	BLACK/WHITE	31	
1,2	SHIELD 1	64	
10	WHITE/BROWN	63	
9	BROWN/WHITE	30	
1,2	SHIELD 2	29	
17	WHITE/RED	57	
18	RED/WHITE	23	
1,2	SHIELD 3	56	
3	WHITE/ORANGE	68	
4	ORANGE/WHITE	34	
1,2	SHIELD 4	67	
6	WHITE/GREEN	66	
5	GREEN/WHITE	33	
1,2	SHIELD 5	32	
16	WHITE/BLUE	58	
15	BLUE/WHITE	25	
1,2	SHIELD 6	24	
13	WHITE/VIOLET	60	
14	VIOLET/WHITE	26	
1,2	SHIELD 7	59	
12	WHITE/GRAY	61	
11	GRAY/WHITE	28	
1,2	SHIELD 8	27	
36	BLACK/ORANGE	46	
24,33	ORANGE/BLACK	13	
29	BLACK/YELLOW	49	
24,33	YELLOW/BLACK	15	
24,33	BLACK/GREEN	50	
27	GREEN/BLACK	17	
25	BLACK/BLUE	52	
24,33	BLUE/BLACK	18	
24,33	BLACK/VIOLET	53	
26	VIOLET/BLACK	19	
24,33	BLACK/GRAY	35	
50	GRAY/BLACK	1	
24,33	BROWN/RED	36	
49	RED/BROWN	2	
46	BROWN/ORANGE	38	
24,33	ORANGE/BROWN	4	
24,33	BROWN/YELLOW	39	
44	YELLOW/BROWN	6	
43	BROWN/GREEN	40	
24,33	GREEN/BROWN	7	
40	BROWN/BLUE	43	
24,33	BLUE/BROWN	9	
24,33	BROWN/VIOLET	44	
39	VIOLET/BROWN	10	
37	BROWN/GRAY	45	
24,33	GRAY/BROWN	12	

WIRE LIST 1B			
P1 100-POS	MAIN COLOR/RING COLOR	P2 68-POS	
PIN NO	MAIN COLOR/LINE COLOR	PIN NO	
20	BROWN/BLACK	22	
23	SHIELD 9	54	
21	RED/BLACK	21	
23	SHIELD 10	55	
19	WHITE/YELLOW	62	
22	RED/BLUE	20	
28	BLUE/RED	51	
41	RED/VIOLET	42	
32	GRAY/RED	48	
38	ORANGE/YELLOW	11	
31	YELLOW/ORANGE	47	
42	ORANGE/GREEN	41	
45	GREEN/ORANGE	5	
47	ORANGE/BLUE	37	
48	BLUE/ORANGE	3	
30	ORANGE/VIOLET	16	
35	VIOLET/RED	8	
34	RED/GRAY	14	
SHELL	OUTER SHIELD	SHELL	

WIRE LIST 2			
P1 100-POS CONN.	MAIN COLOR/RING COLOR	P3 68-POS CONN.	
PIN NO	MAIN COLOR/LINE COLOR	PIN NO	
51	WHITE/TAN	68	
52	TAN/WHITE	34	
53	WHITE/BROWN	33	
54	BROWN/WHITE	67	
55	WHITE/PINK	32	
56	PINK/WHITE	66	
57	WHITE/ORANGE	65	
58	ORANGE/WHITE	31	
59	WHITE/YELLOW	30	
60	YELLOW/WHITE	64	
61	WHITE/GREEN	29	
62	GREEN/WHITE	63	
63	WHITE/BLUE	62	
64	BLUE/WHITE	28	
65	WHITE/VIOLET	27	
66	VIOLET/WHITE	61	
67	WHITE/GRAY	26	
68	GRAY/WHITE	60	
69	TAN/BROWN	59	
70	BROWN/TAN	25	
71	TAN/PINK	24	
72	PINK/TAN	58	
73	TAN/ORANGE	23	
74	ORANGE/TAN	57	
75	TAN/YELLOW	56	
76	YELLOW/TAN	22	
77	TAN/GREEN	55	
78	GREEN/TAN	21	
79	TAN/BLUE	20	
80	BLUE/TAN	54	
81	TAN/VIOLET	19	
82	VIOLET/TAN	53	
83	TAN/GRAY	52	
84	GRAY/TAN	18	
85	BROWN/PINK	17	
86	PINK/BROWN	51	
87	BROWN/ORANGE	16	
88	ORANGE/BROWN	50	
89	BROWN/YELLOW	49	
90	YELLOW/BROWN	15	
91	BROWN/GREEN	14	
92	GREEN/BROWN	48	
93	BROWN/BLUE	13	
94	BLUE/BROWN	47	
95	BROWN/VIOLET	46	
96	VIOLET/BROWN	12	
97	BROWN/GRAY	11	
98	GRAY/BROWN	45	
99	PINK/ORANGE	10	
100	ORANGE/PINK	44	
76	INNER SHIELD	22	
SHELL	OUTER SHIELD	SHELL	



LENGTH	TOLERANCE
<2M	+5 CM/-0 CM
2 TO 5M	+10 CM/-0 CM
>5M	+15 CM/-0 CM

CUSTOMER DRAWING

UNLESS OTHERWISE SPECIFIED DIMENSIONS ARE IN INCHES AND [MILLIMETERS]		AUSTIN, TEXAS
		TITLE
DO NOT SCALE DRAWING THIRD ANGLE PROJECTION	SH1006868	
	SIZE CODE IDENT NO. DRAWING NO.	D 7U296 09/22/16
SCALE: 3/4	SHEET 1 OF 1	