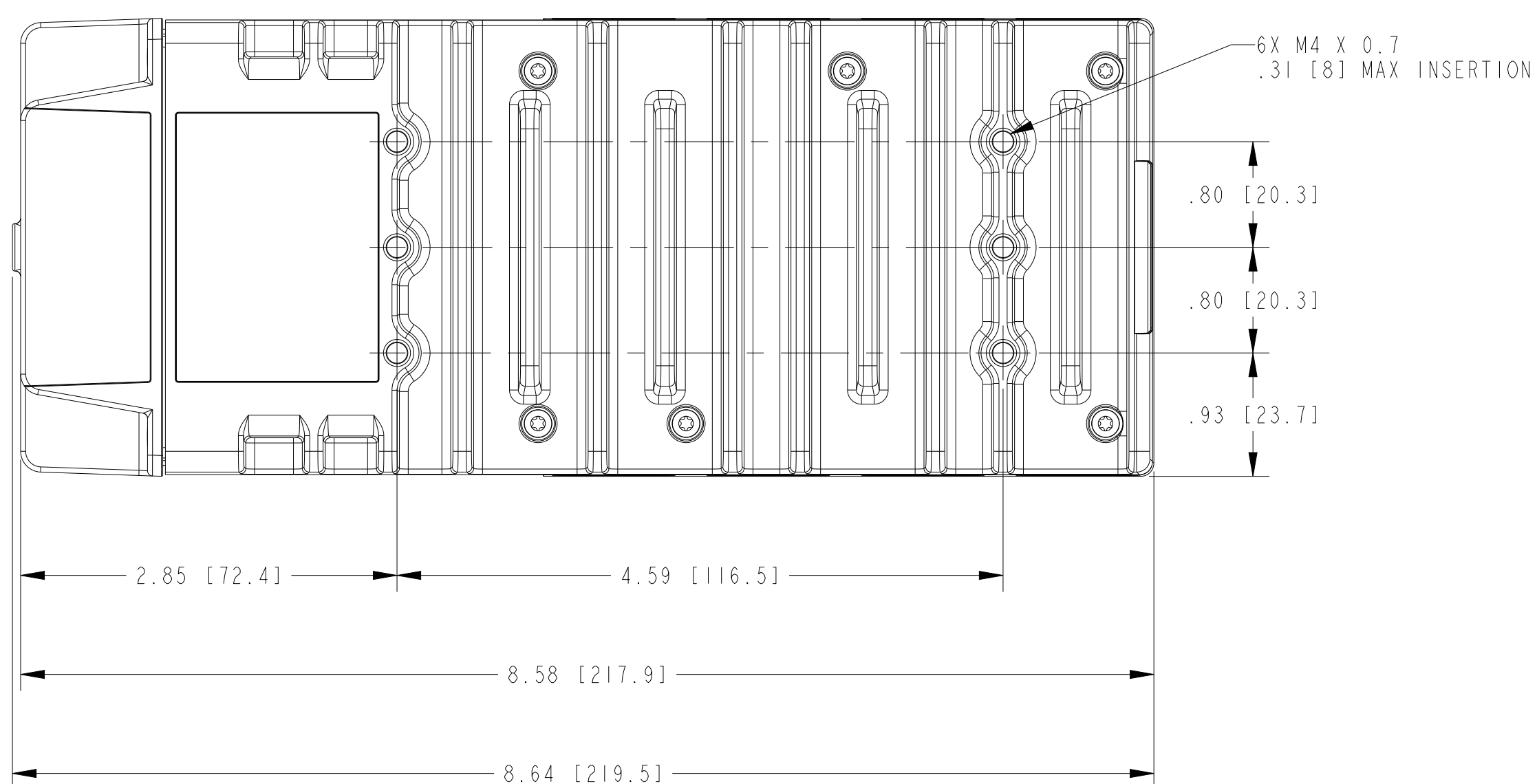
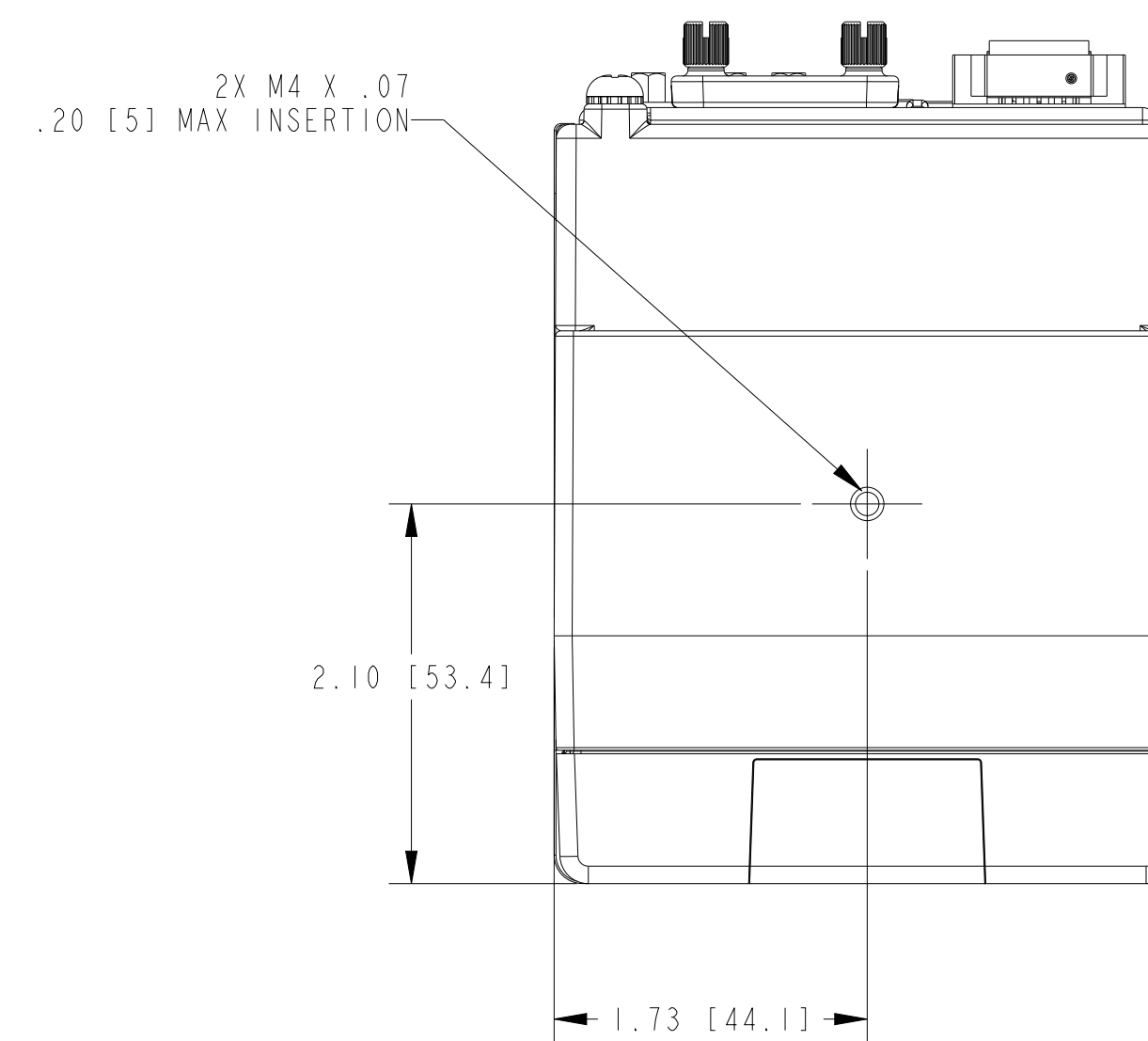
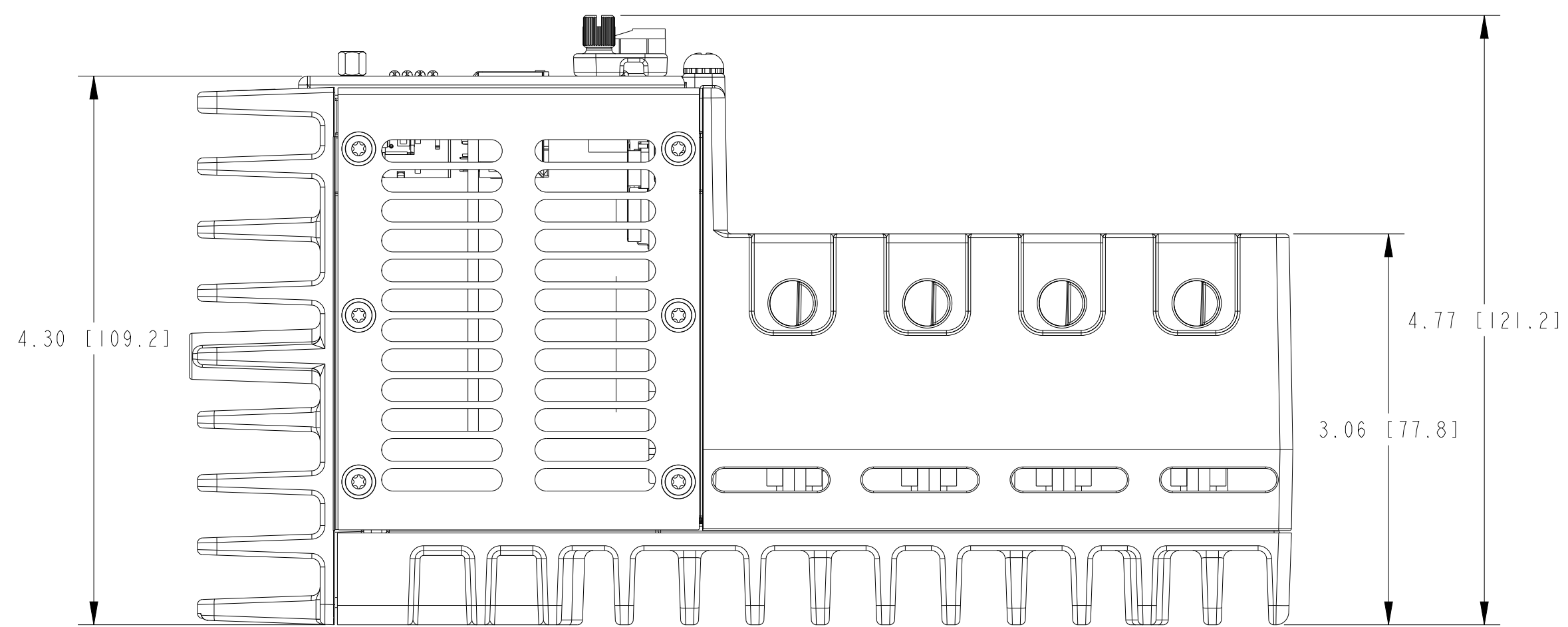
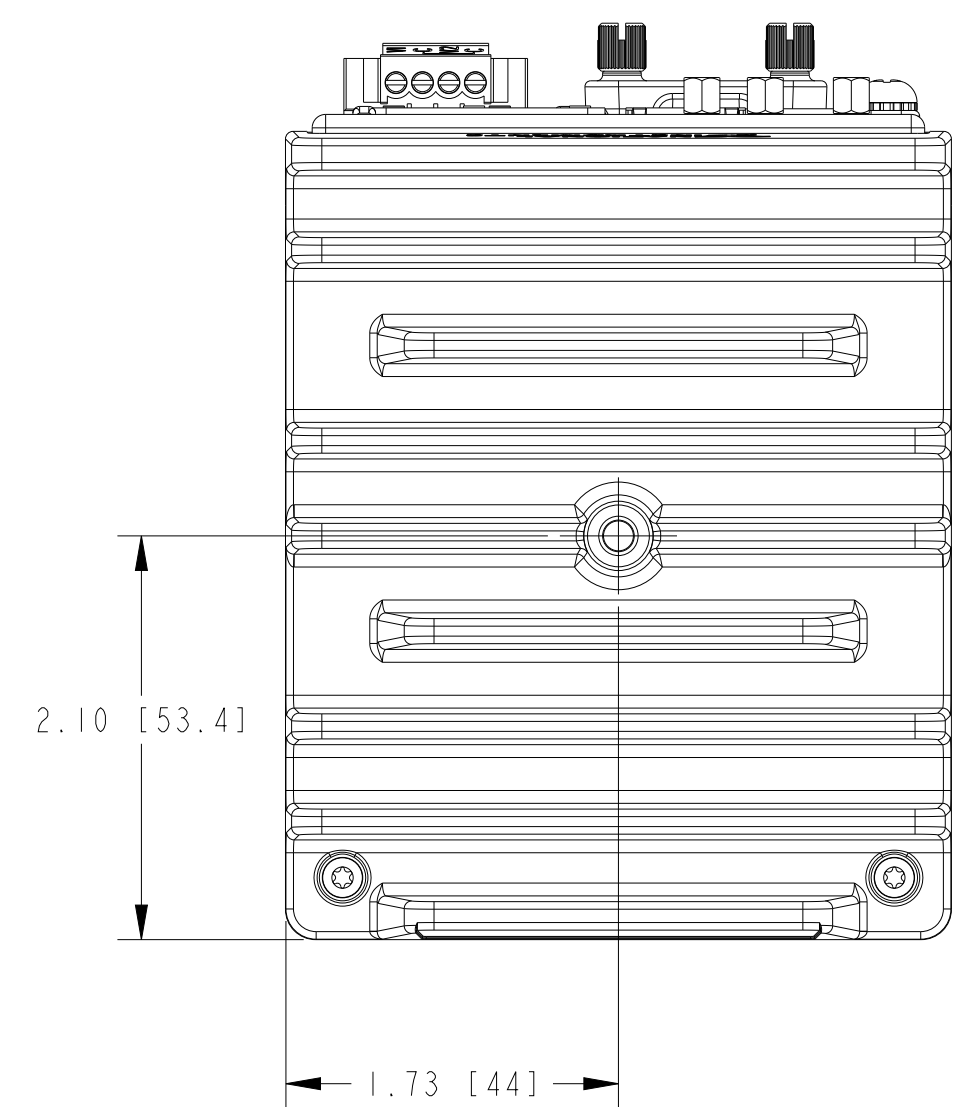
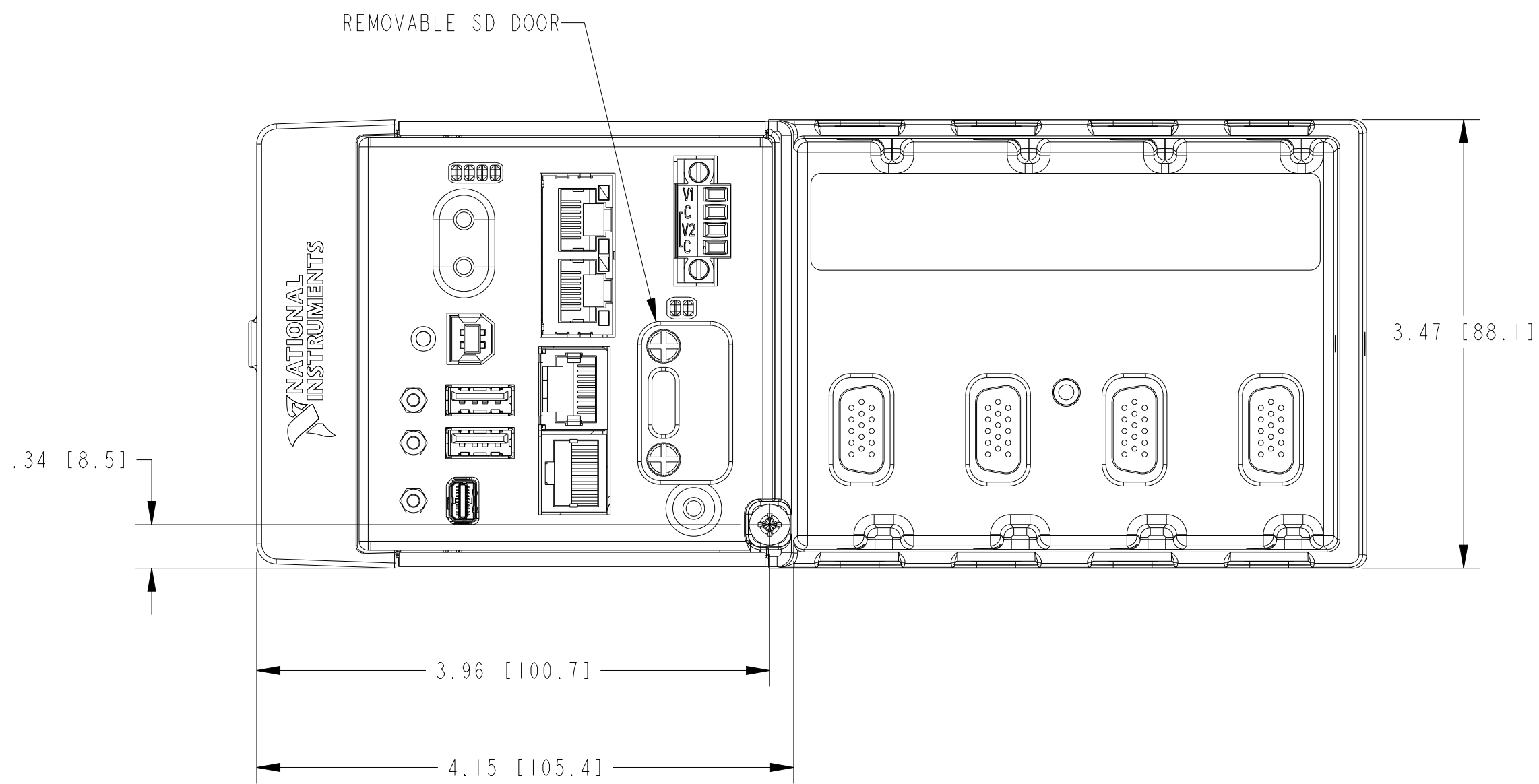


ISOMETRIC VIEW
 SCALE 3/4



1. REFER TO PRODUCT MANUAL ON NI.COM FOR MORE DETAILS
 NOTES: UNLESS OTHERWISE SPECIFIED.

UNLESS OTHERWISE SPECIFIED DIMENSIONS ARE IN INCHES AND [MILLIMETERS].	NATIONAL INSTRUMENTS® AUSTIN, TEXAS	
	TITLE	
DO NOT SCALE DRAWING THIRD ANGLE PROJECTION		cRIO-9030, 9031, 9033, 9034
	SIZE CODE IDENT NO. MM/DD/YYYY	D7U296 01/14/2016
	SCALE: 1/1	SHEET 1 OF 2 CUICRIO-9030-9031-9033

