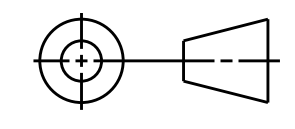



UNLESS OTHERWISE SPECIFIED
 DIMENSIONS ARE IN INCHES AND
 (MILLIMETERS).

DO NOT SCALE DRAWING
 THIRD ANGLE PROJECTION



 NATIONAL INSTRUMENTS® AUSTIN, TEXAS	
TITLE	
USB 62XX 4 CONNECTORS	
SIZE CODE	IDENT NO MM/DD/YYYY
D 7U296	07/21/10
SCALE: 1/1	SHEET 1 OF 1

4

3

2

1

COPYRIGHT ©2010
NATIONAL INSTRUMENTS CORPORATION AND ITS LICENSORS. ALL RIGHTS RESERVED.

D

D

C

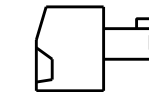
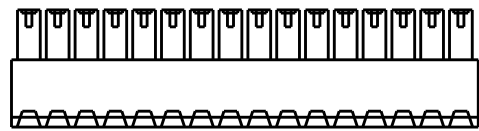
C

B

B

A

A

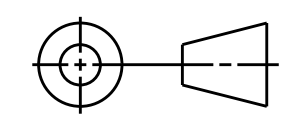


CUSTOMER DRAWING

UNLESS OTHERWISE SPECIFIED
DIMENSIONS ARE IN INCHES AND
(MILLIMETERS).

DO NOT SCALE DRAWING

THIRD ANGLE PROJECTION



NATIONAL INSTRUMENTS® AUSTIN, TEXAS
TITLE

CONNECTOR, 16 POSITION
USB-62XX

SIZE	CODE	IDENT NO.	MM/DD/YYYY
C	7U296		07/21/10
SCALE:	1/1	SHEET	1 OF 1

4

3

2

1