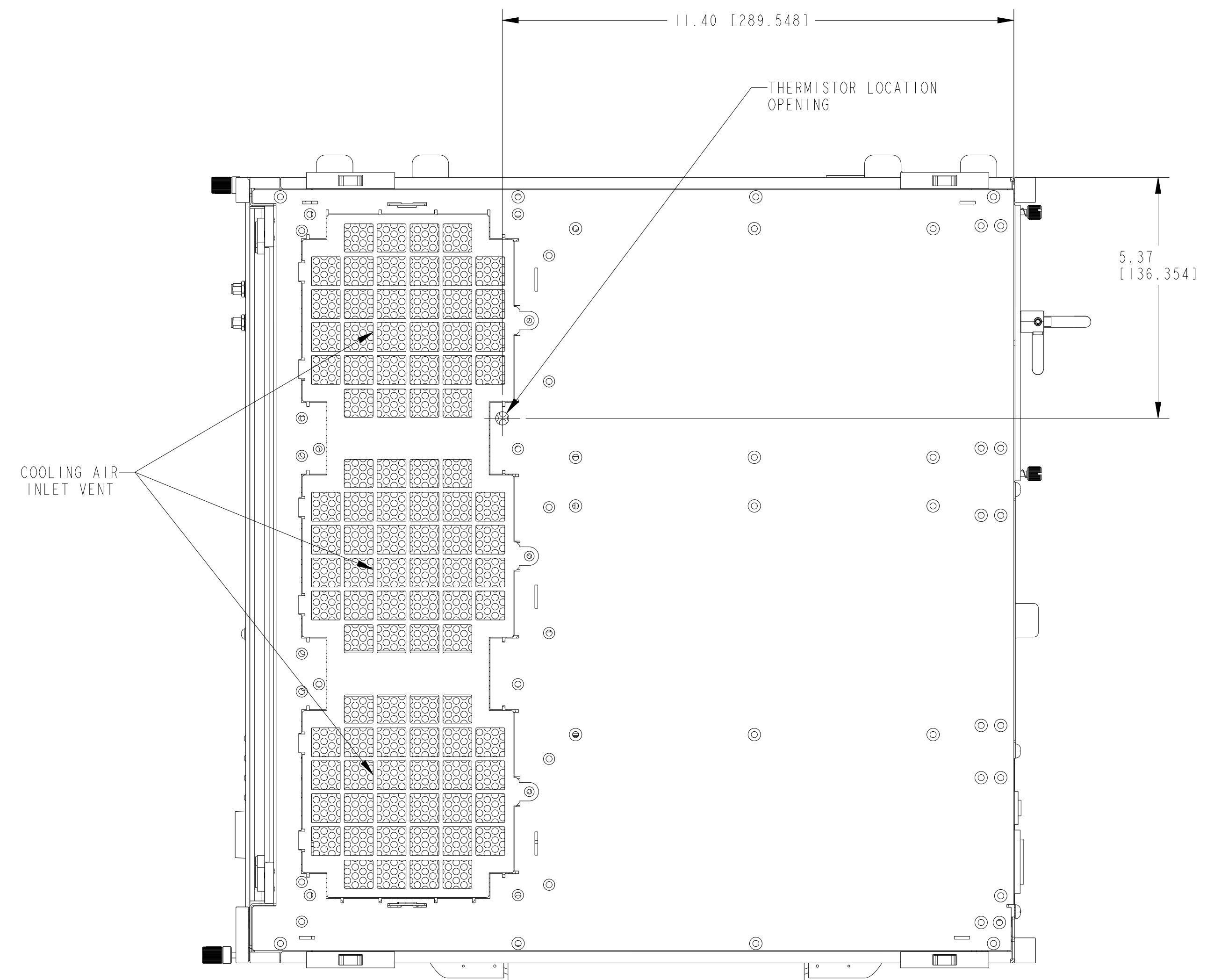
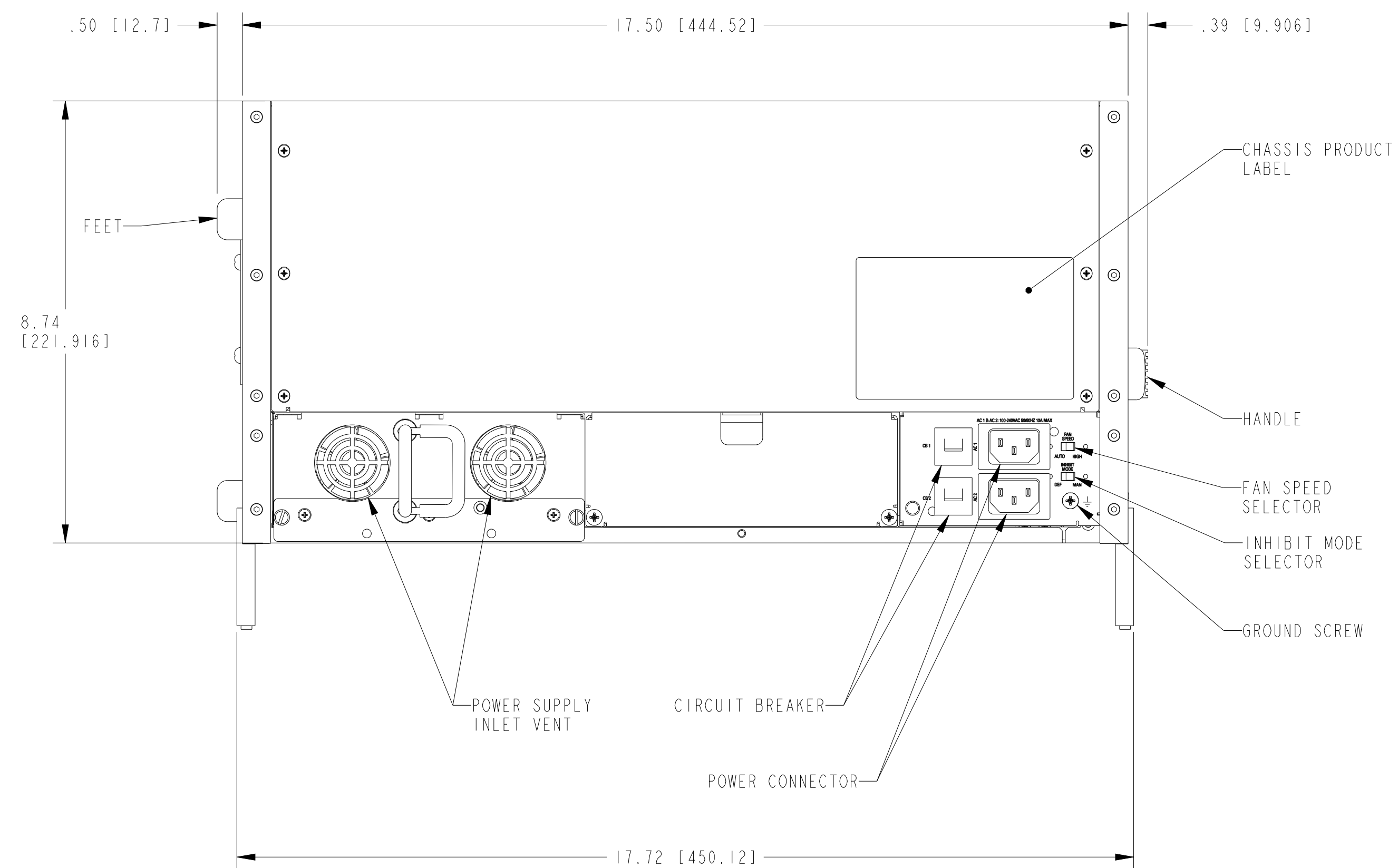
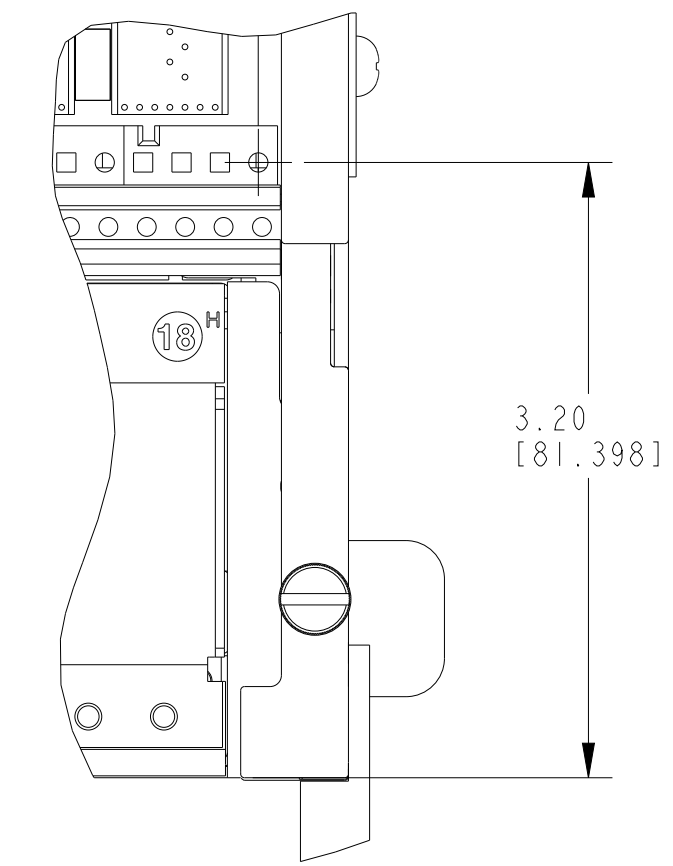
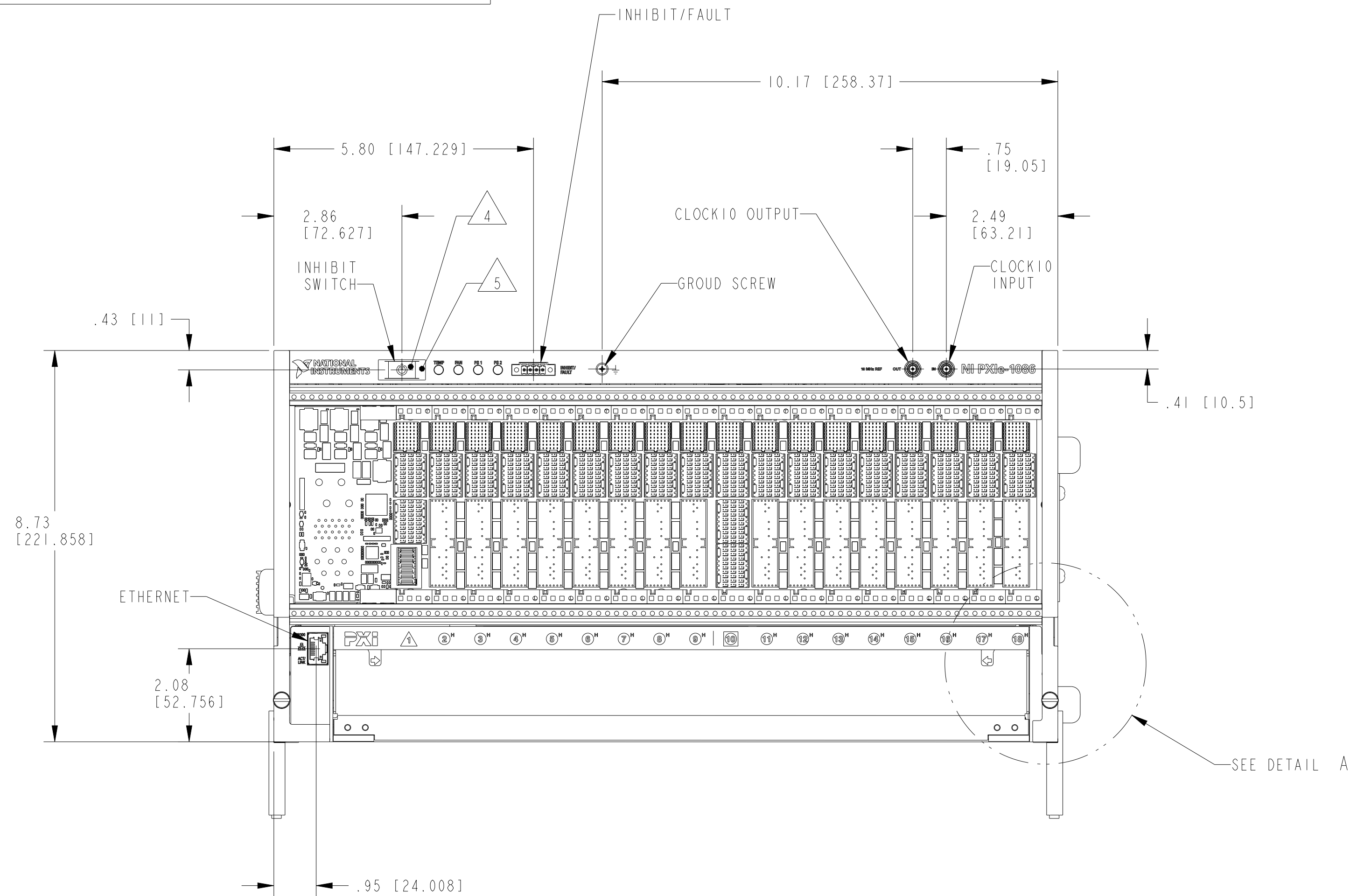


- 6 USER MUST PROVIDE MINIMUM COOL/VENTING CLEARANCE AS SHOWN. FAILURE TO PROVIDE THIS CLEARANCE MAY RESULT IN CHASSIS OR MODULE THERMAL RELATED FAILURES.
 - 5 NI COMPASS BLUE COLOR PC-ABS
 - 4 NI COMPASS WHITE COLOR PC-ABS
 - 3 NI COMPASS BLUE COLOR
 - 2 NI COMPASS WHITE COLOR
1. REFER TO PRODUCT MANUAL ON NI.COM FOR MORE DETAILS
 NOTES: UNLESS OTHERWISE SPECIFIED.

UNLESS OTHERWISE SPECIFIED DIMENSIONS ARE IN INCHES AND [MILLIMETERS].	NATIONAL INSTRUMENTS® AUSTIN, TEXAS	
	TITLE CUSTOMER DRAWING, PXIe-1086	
DO NOT SCALE DRAWING THIRD ANGLE PROJECTION	SIZE CODE IDENT NO. MM/DD/YYYY D 7U296 09/08/2015	SHEET 1 OF 2
	SCALE: 1/2	CU.PXIe-1086



BOTTOM VIEW