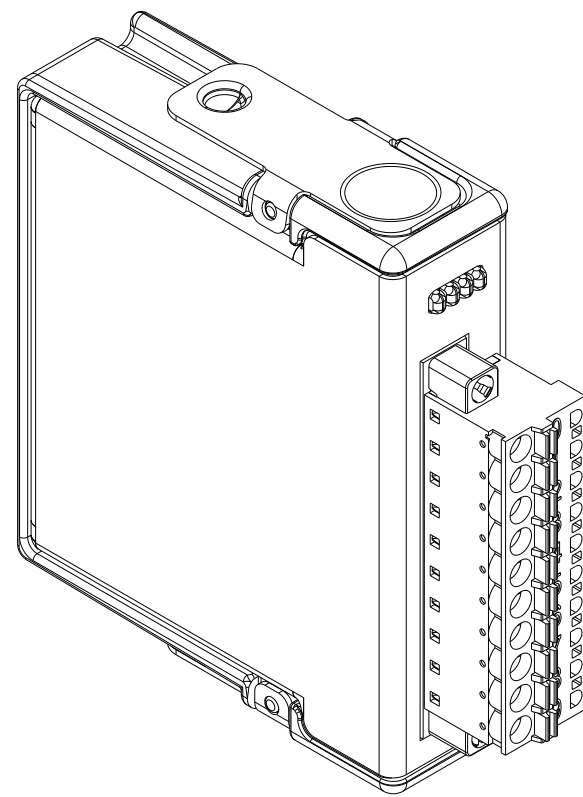
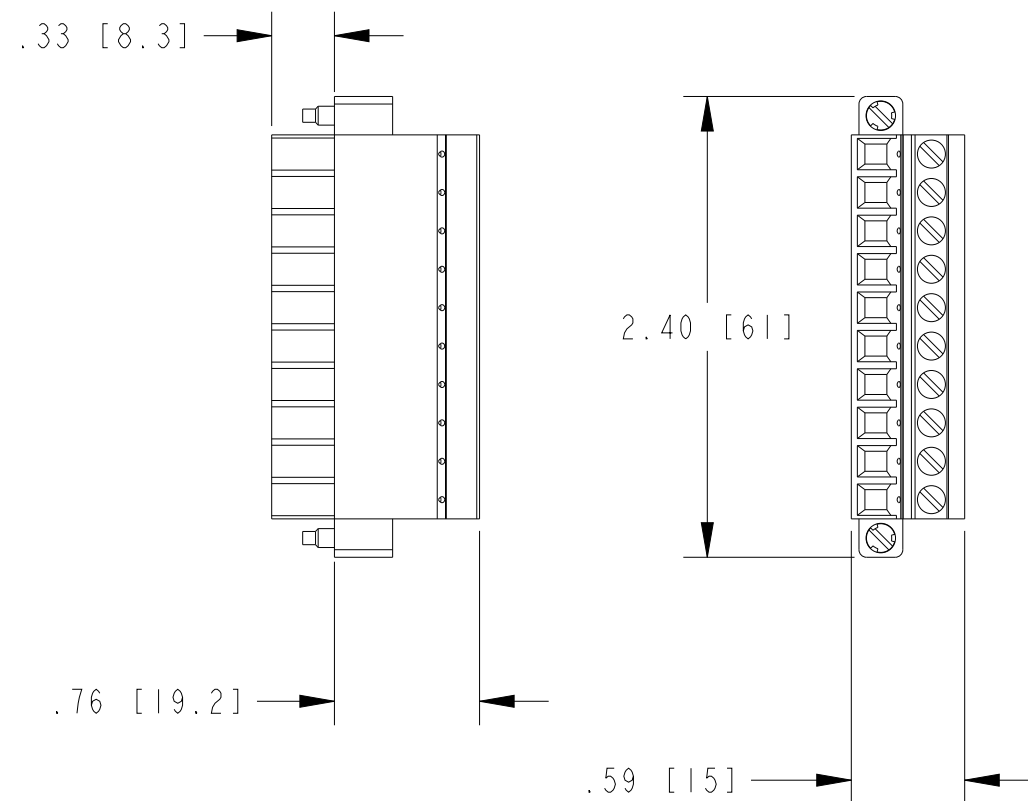
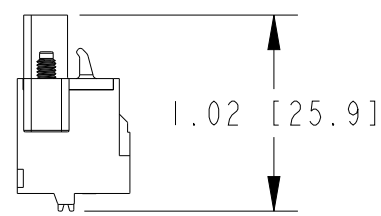
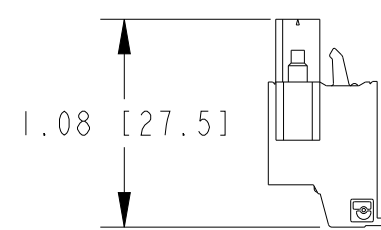
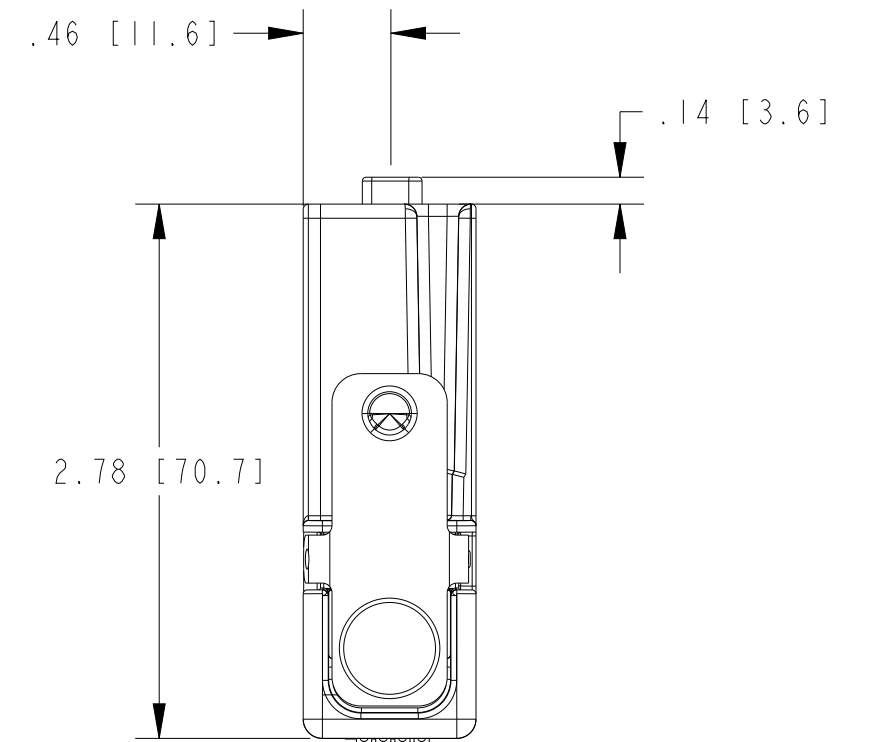
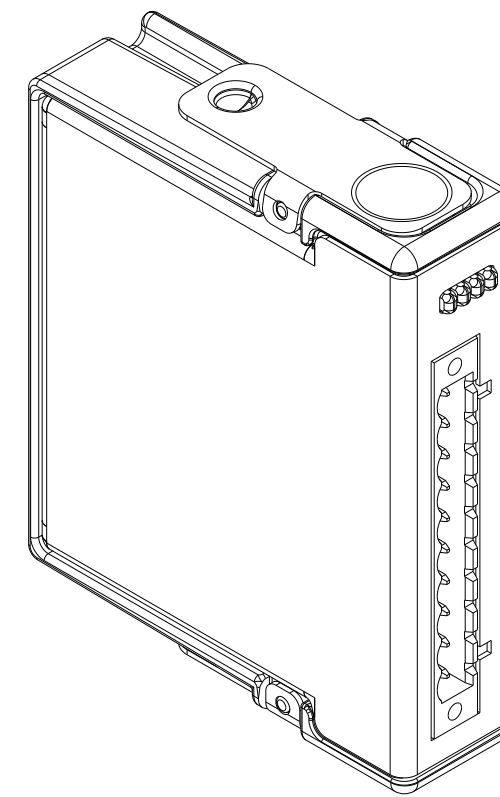


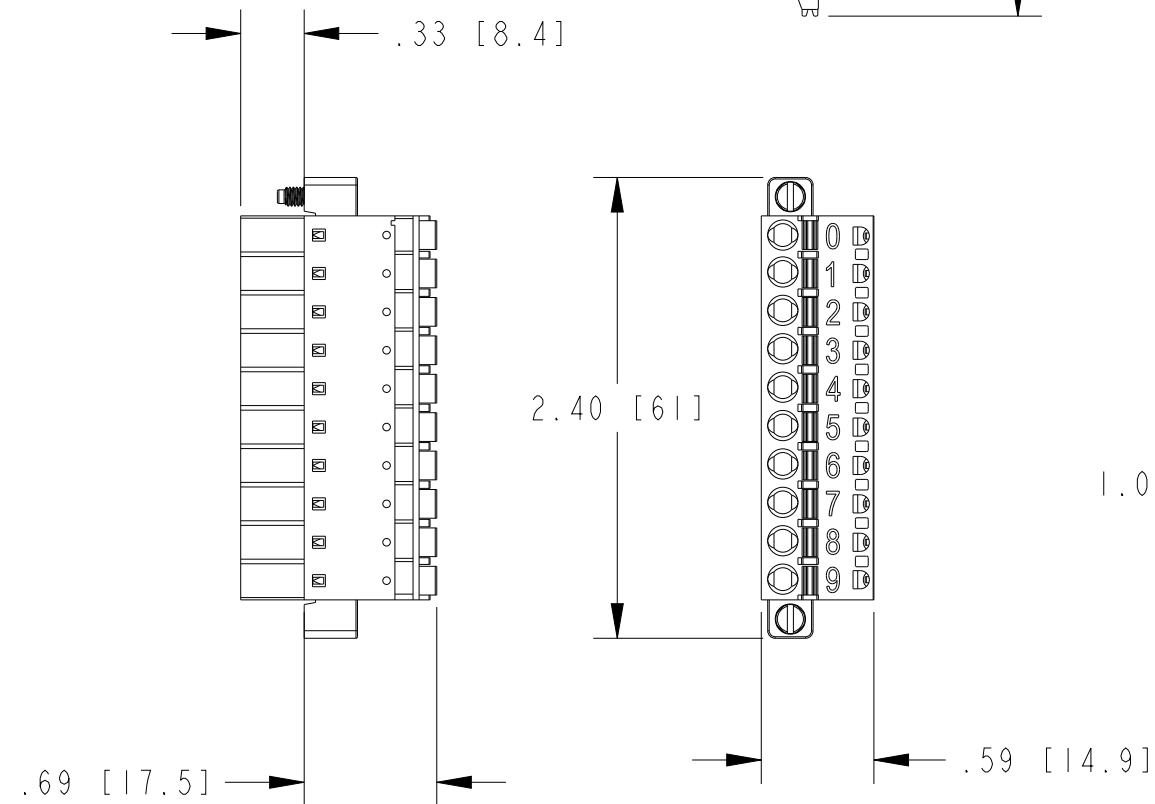
NI 9482
 WITH SCREW TERMINAL



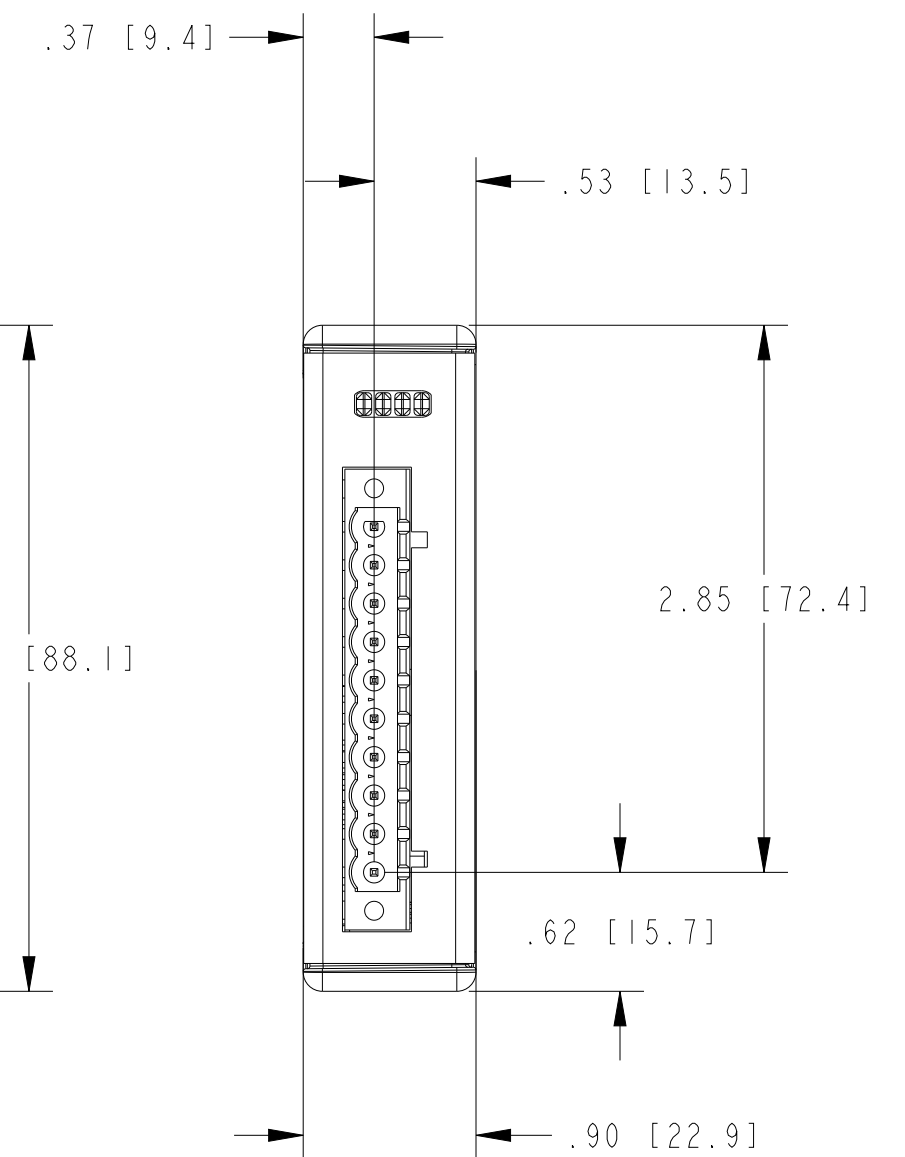
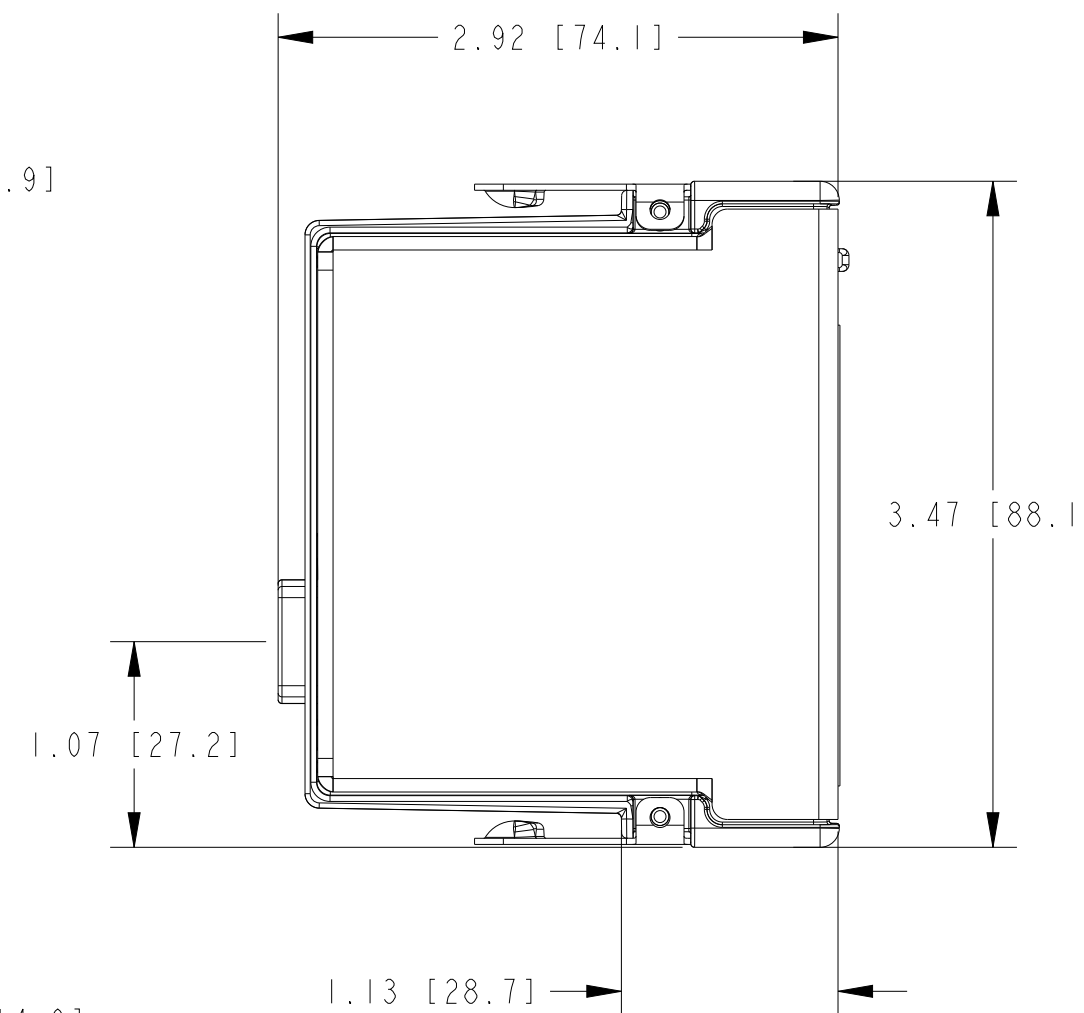
NI 9482
 WITH SPRING TERMINAL



NI 9936
 IOPOS SCREW TERMINAL
 BLOCK



NI 9980
 IOPOS SPRING TERMINAL
 BLOCK



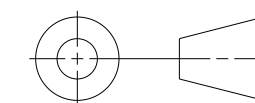
NI 9482
 BASE MODULE

CUSTOMER DRAWING

UNLESS OTHERWISE SPECIFIED
 DIMENSIONS ARE IN INCHES AND
 [MILLIMETERS].

DO NOT SCALE DRAWING

THIRD ANGLE PROJECTION



AUSTIN, TEXAS

TITLE

NI 9482

SIZE CODE IDENT NO. MM/DD/YYYY

C7U296

11/10/2015

SCALE: 1/1

SHEET 1 OF 1

1. REFER TO PRODUCT MANUAL ON NI.COM FOR MORE DETAILS
 NOTES: UNLESS OTHERWISE SPECIFIED.