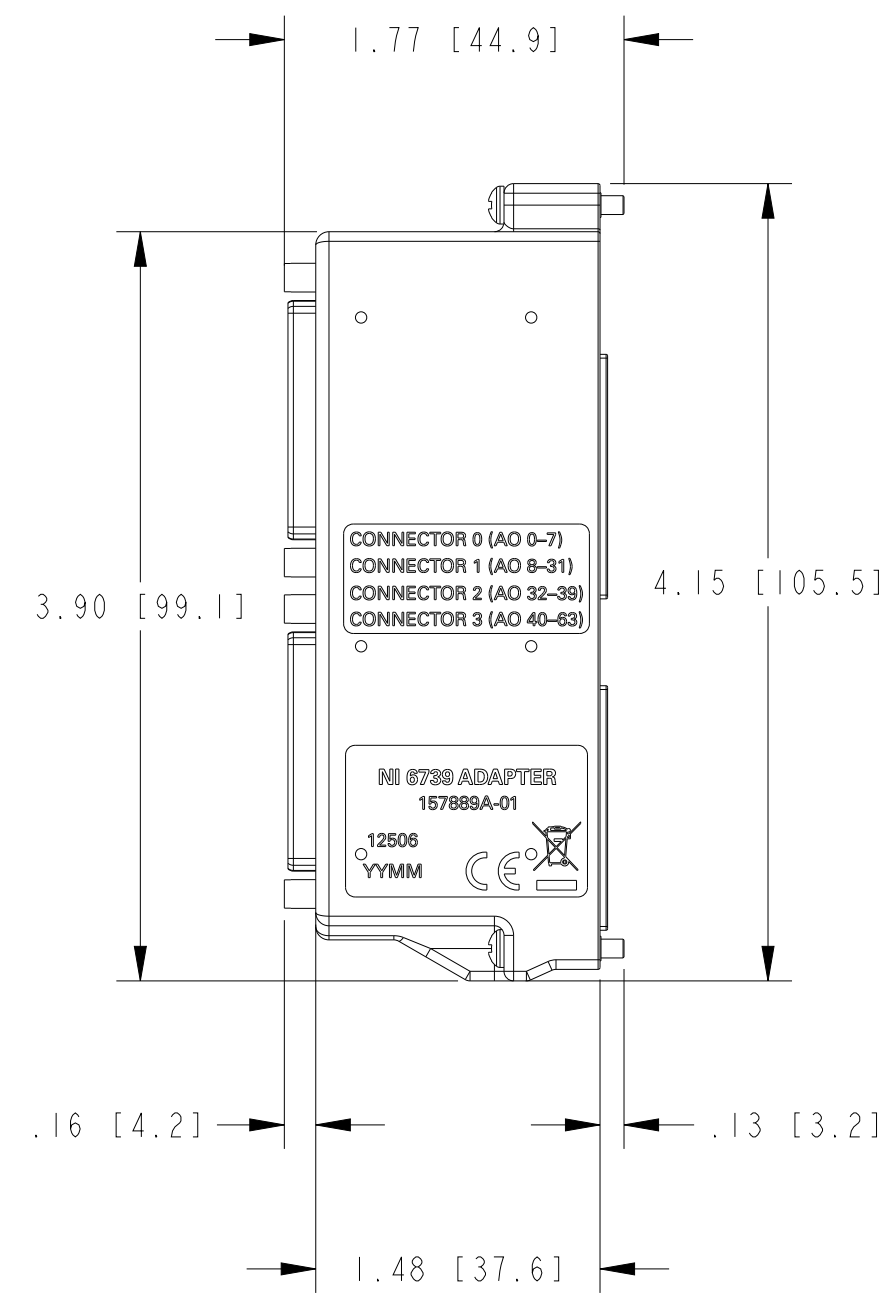
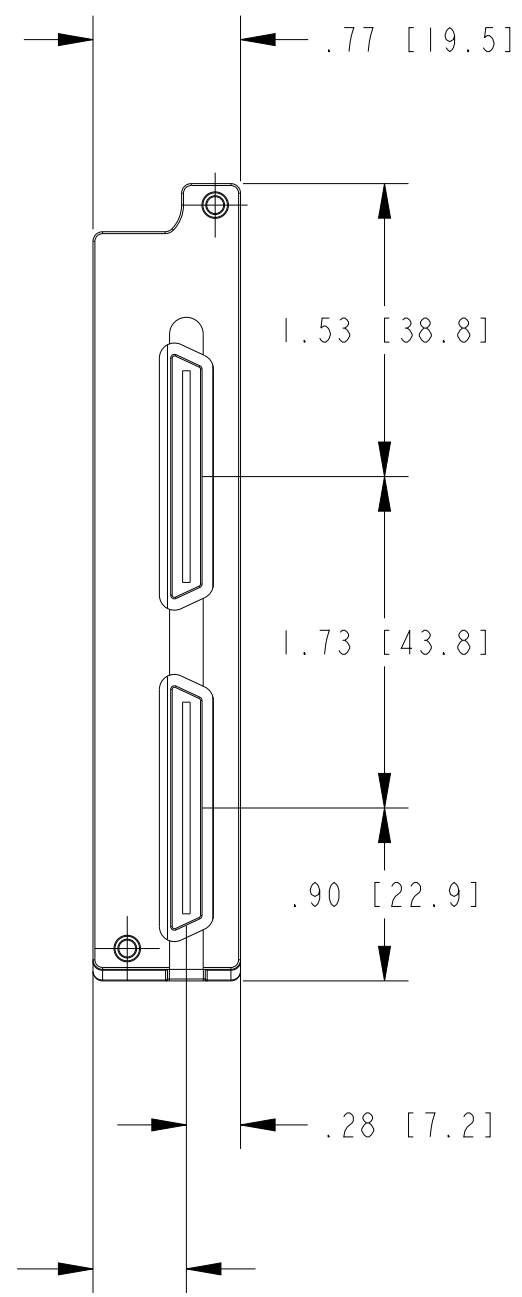


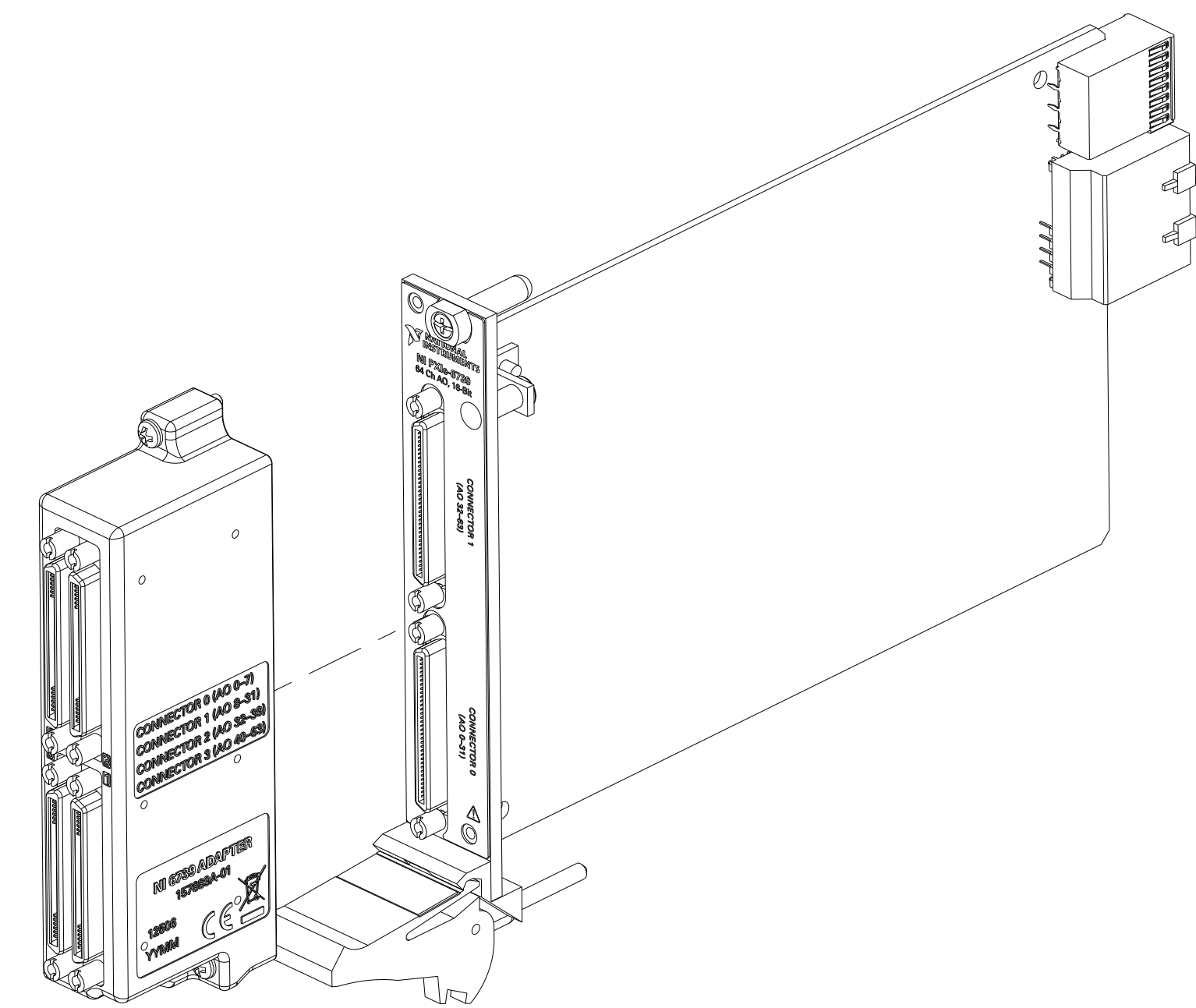
FRONT VIEW



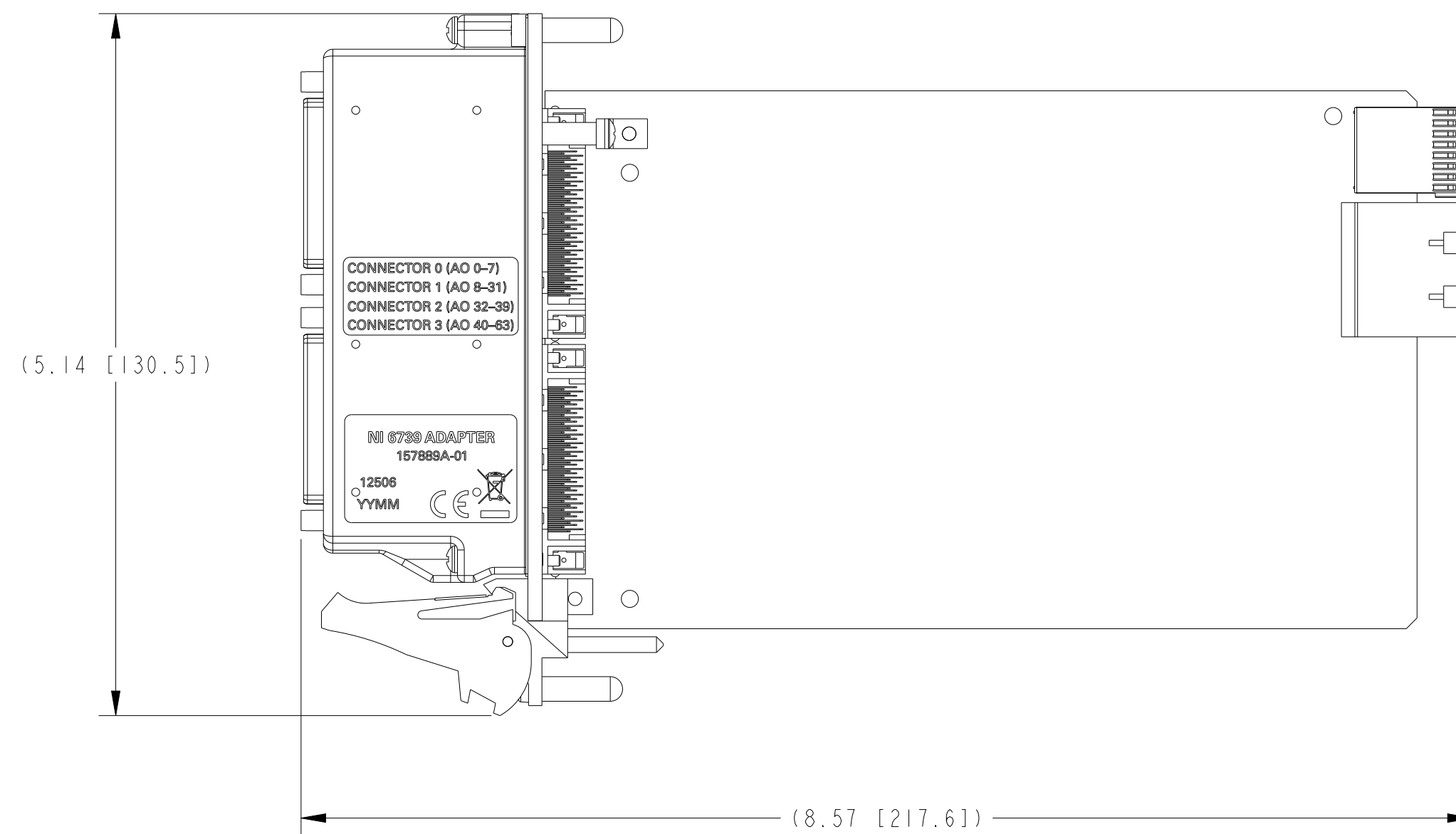
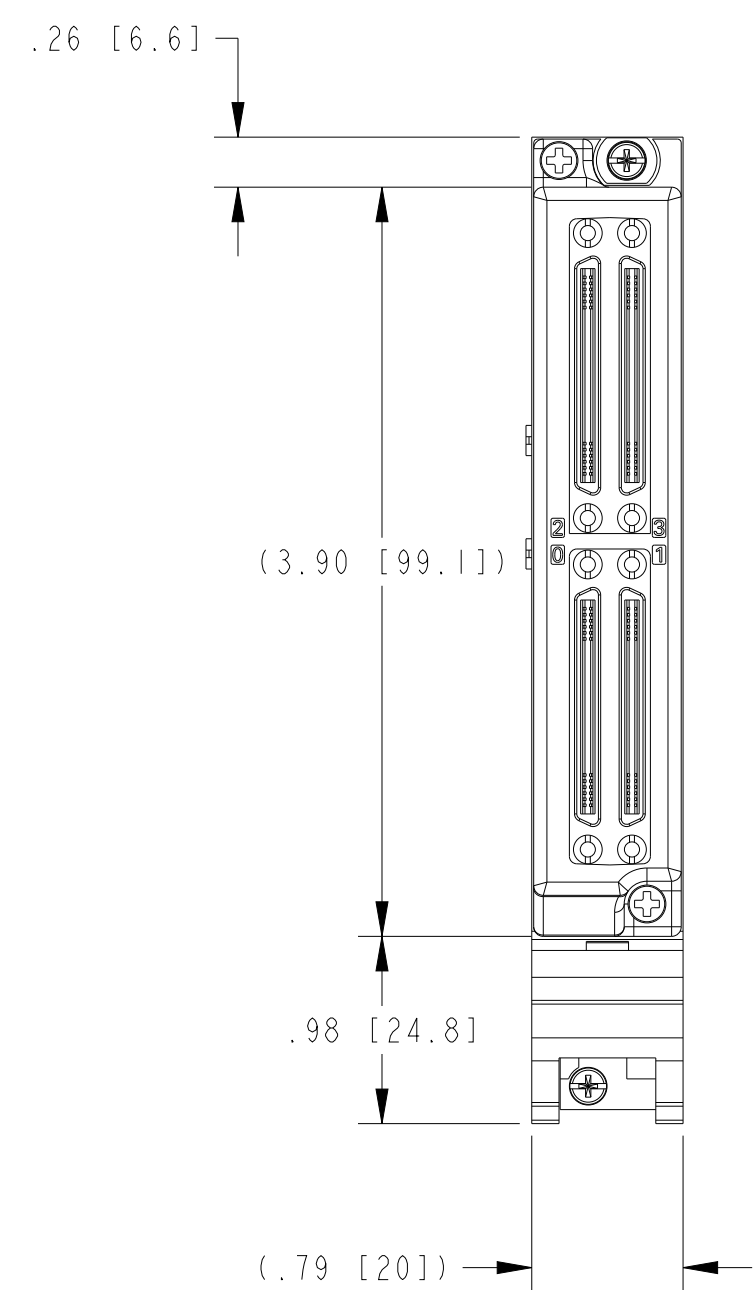
NI 6739 ADAPTER



REAR VIEW



ISOMETRIC ASSEMBLY VIEW



NI 6739 ADAPTER ASSEMBLED
 TO PXIe-6739

2. DIMENSIONS IN () ARE FOR REFERENCE ONLY.
 1. REFER TO PRODUCT MANUAL ON NI.COM FOR MORE DETAILS
 NOTES: UNLESS OTHERWISE SPECIFIED.

UNLESS OTHERWISE SPECIFIED DIMENSIONS ARE IN INCHES AND [MILLIMETERS]. DO NOT SCALE DRAWING THIRD ANGLE PROJECTION 	NATIONAL INSTRUMENTS® AUSTIN, TEXAS TITLE
	NI 6739 ADAPTER
	SIZE CODE IDENT NO. MM/DD/YYYY D 7U296 07/09/2015 SCALE: 1/1 SHEET 1 OF 1 CU-NI-6739-ADAPTER