

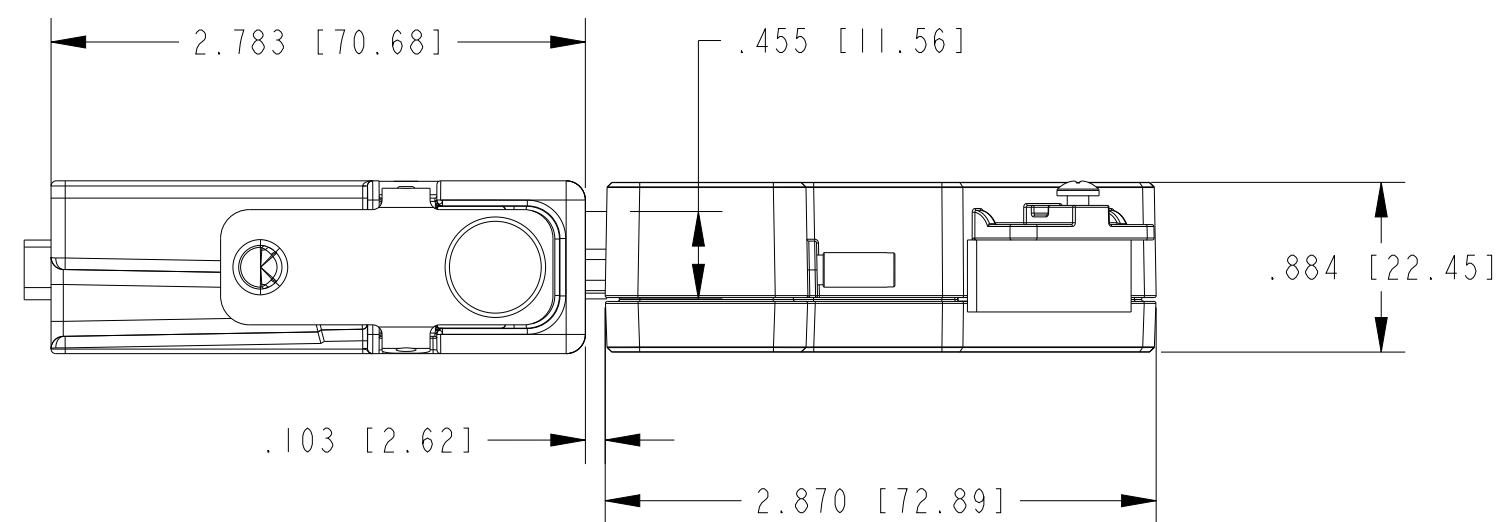
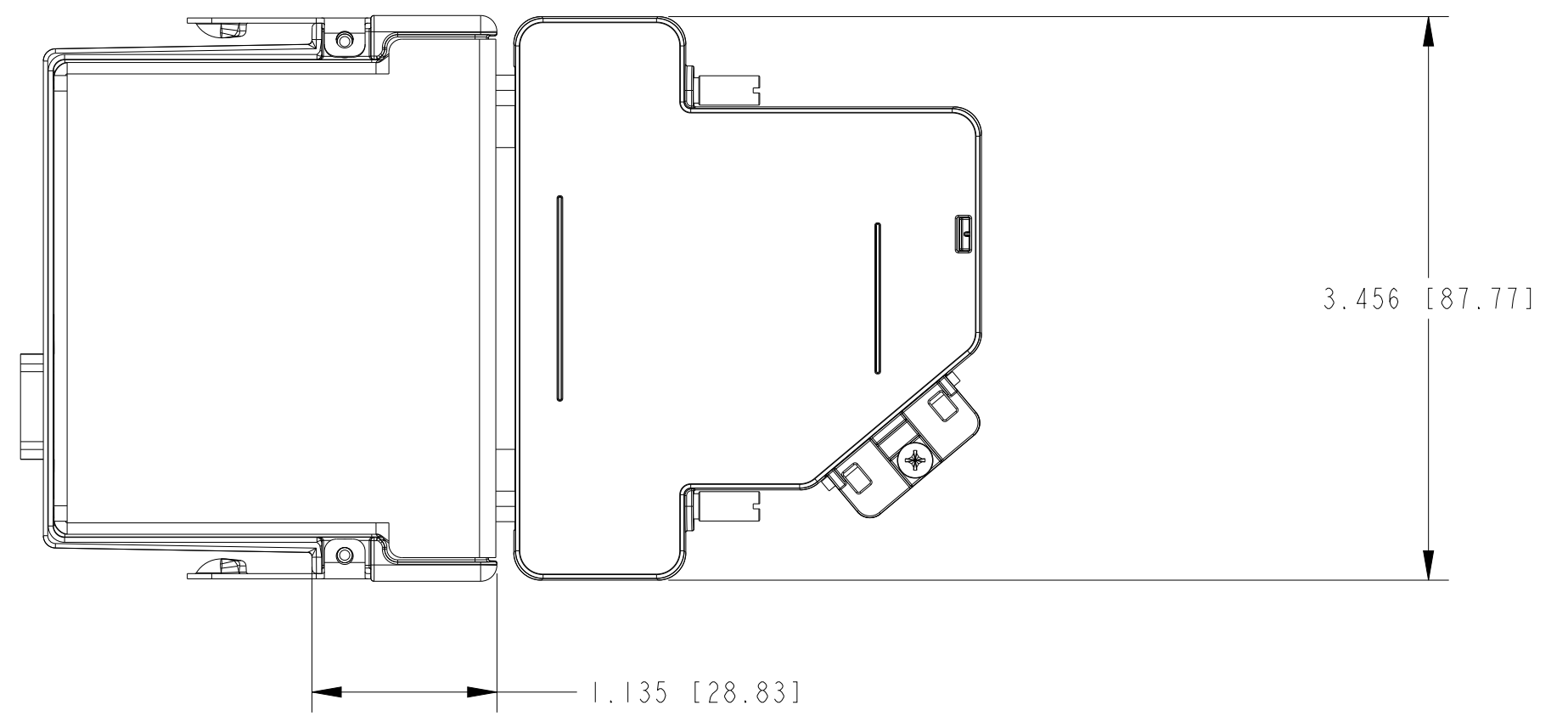
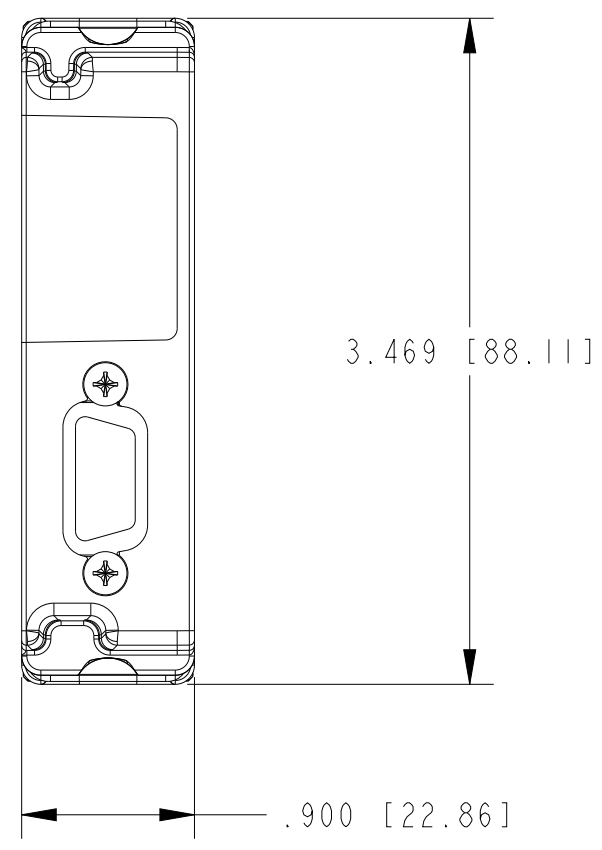
4

3

2

1

COPYRIGHT ©2014
NATIONAL INSTRUMENTS CORPORATION AND ITS LICENSORS. ALL RIGHTS RESERVED.

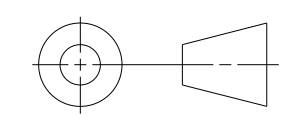


CUSTOMER DRAWING

UNLESS OTHERWISE SPECIFIED
DIMENSIONS ARE IN INCHES AND
[MILLIMETERS].

DO NOT SCALE DRAWING

THIRD ANGLE PROJECTION



		AUSTIN, TEXAS	
TITLE NI 9212 C SERIES MODULE 8-Ch ISOTHERMAL TC			
SIZE C	CODE 7U296	IDENT NO. MM/DD/YYYY 03/25/2015	SHEET OF NI_9212_CUSTOMER_DWG
SCALE: 1/1		SHEET OF	

4

3

2

1

D

D

C

C

B

B

A

A