

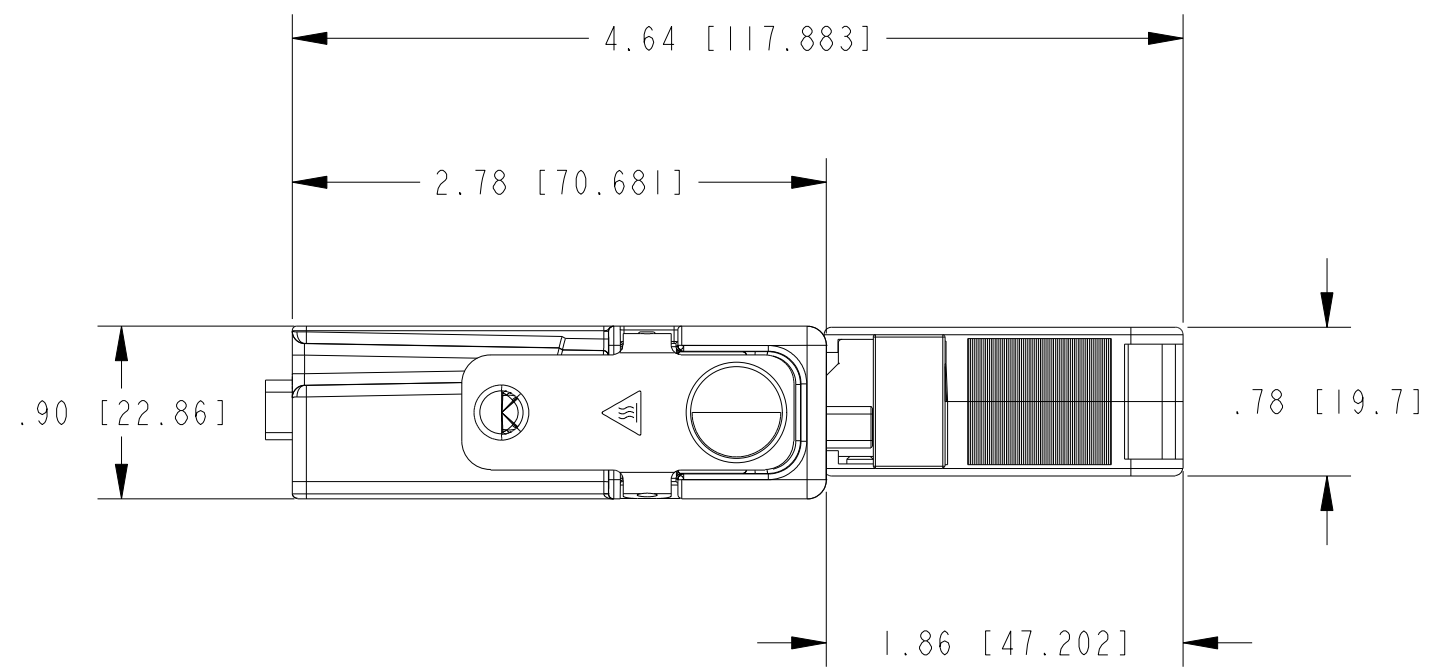
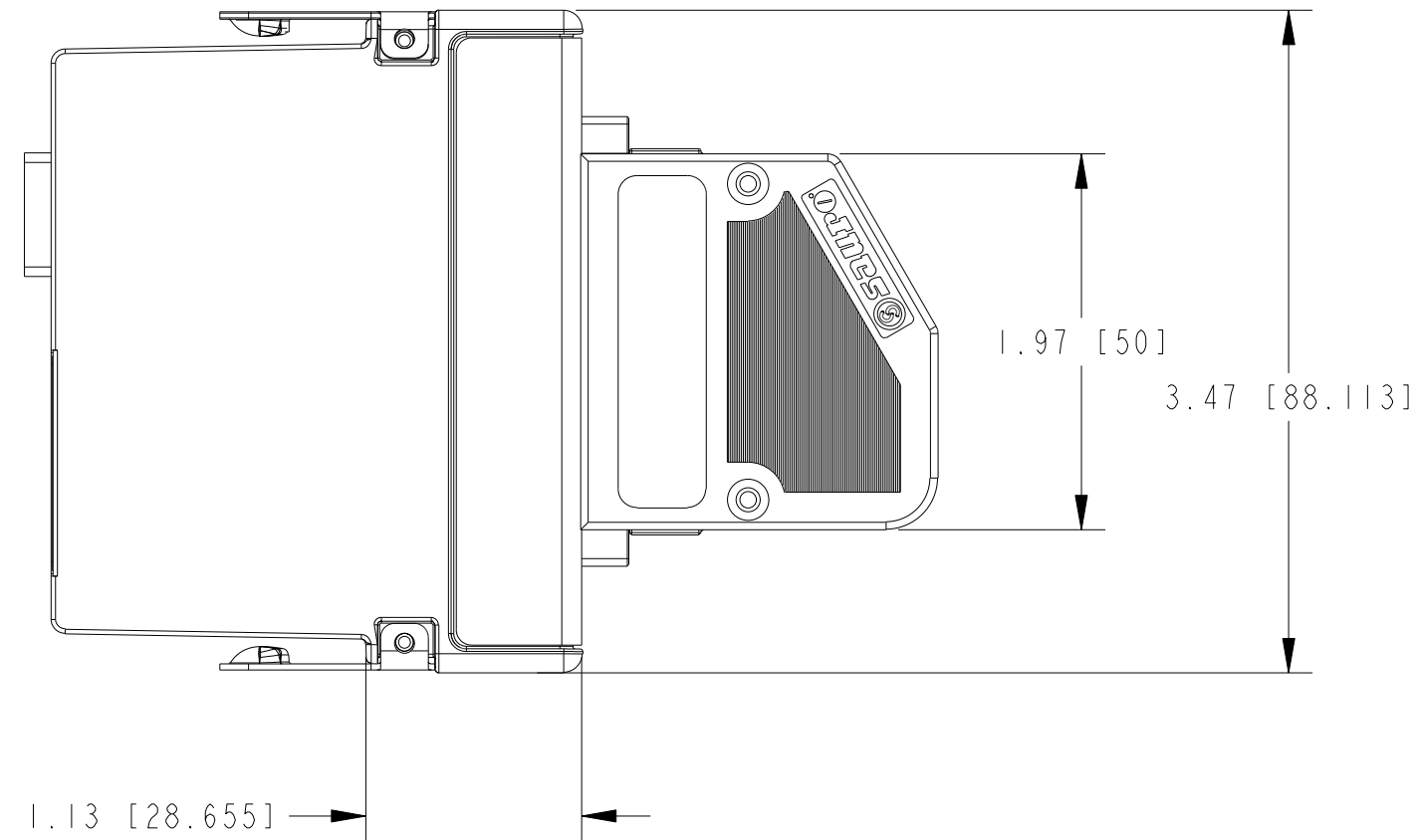
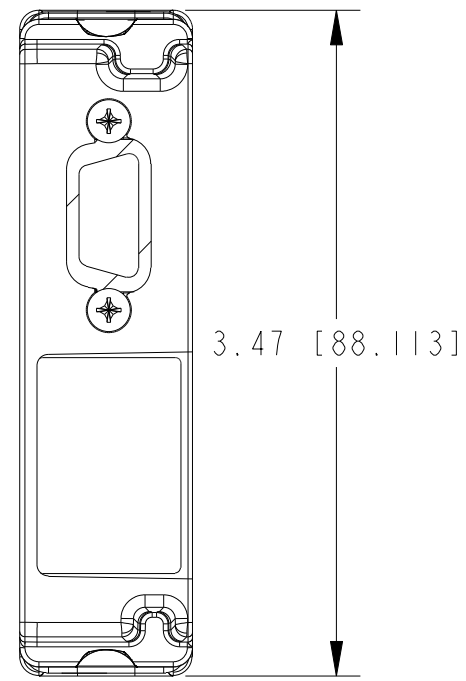
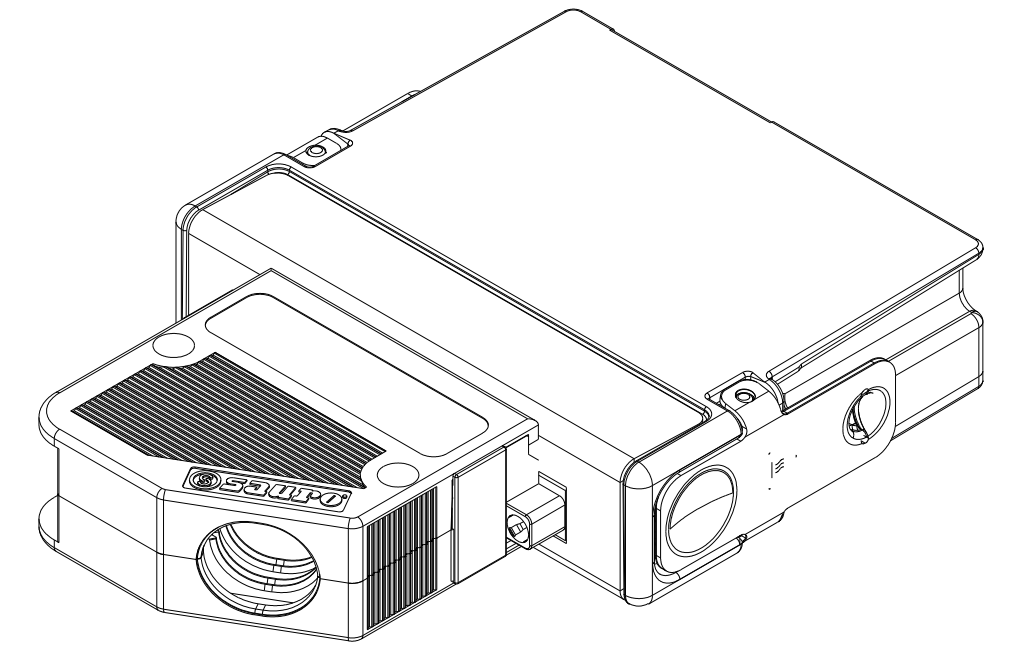
4

3

2

1

COPYRIGHT ©2013
NATIONAL INSTRUMENTS CORPORATION AND ITS LICENSORS. ALL RIGHTS RESERVED.

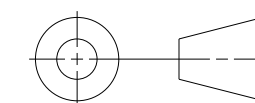


CUSTOMER DRAWING

UNLESS OTHERWISE SPECIFIED
DIMENSIONS ARE IN INCHES AND
[MILLIMETERS].

DO NOT SCALE DRAWING

THIRD ANGLE PROJECTION



AUSTIN, TEXAS

TITLE

NI 9242/9244
C SERIES MODULES

SIZE CODE IDENT NO. MM/DD/YYYY

C 7U296

03/03/2014

SCALE: 1/1

SHEET 1 OF 1

1. REFER TO USER MANUAL FOR DETAILED DIMENSIONS
NOTES: UNLESS OTHERWISE SPECIFIED.

4

3

2

1