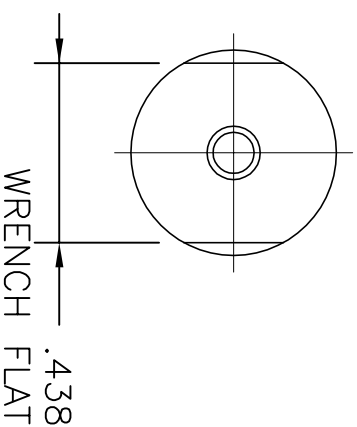
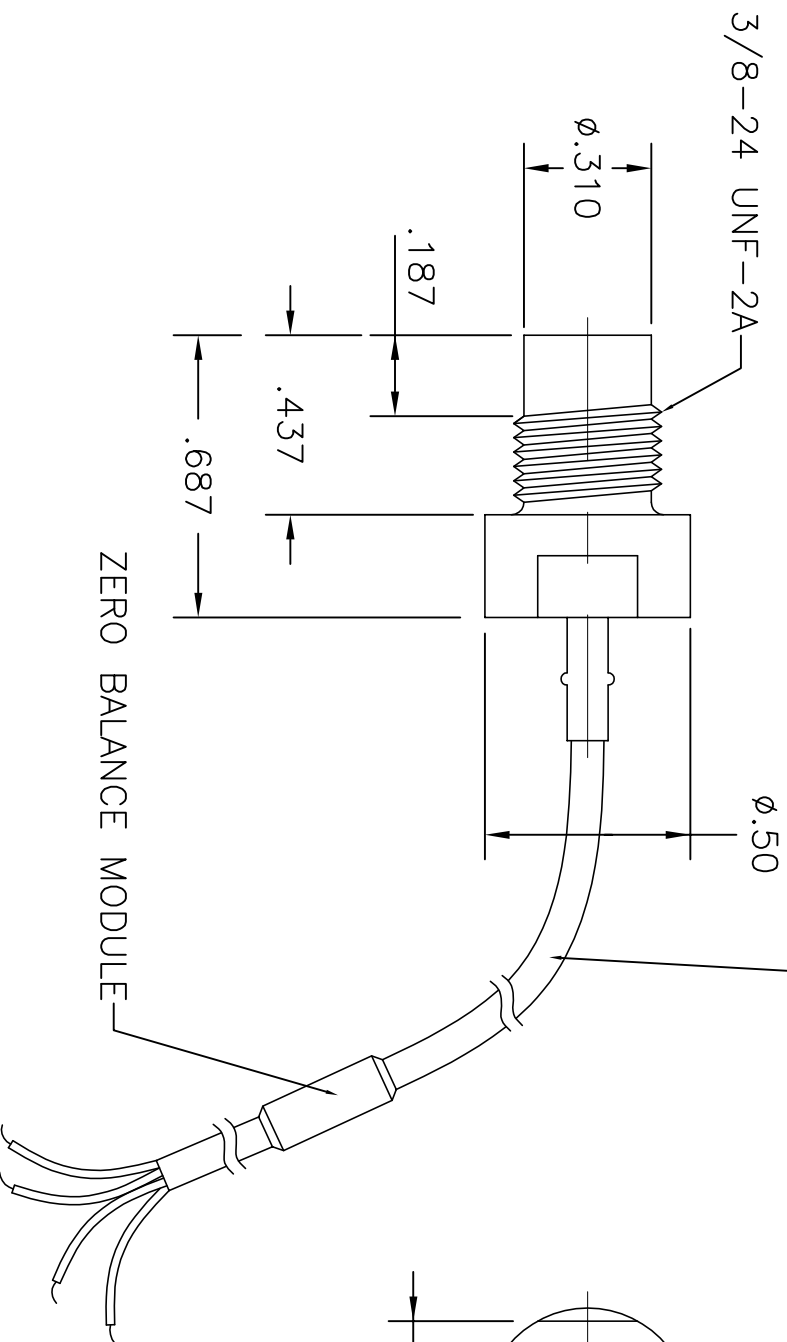


HONEYWELL  
PART NUMBER

REV	DOCUMENT	CHANGED BY	CHECK
E	0053937	VSY 26JUN09	SDG

4 TWISTED, COLOR CODED  
TEFLON INSULATED LEADS



.438  
WRENCH FLAT

WIRING CODES

- RED : +EXCITATION
- BLACK: -EXCITATION
- WHITE: +OUTPUT
- GREEN: -OUTPUT

A

DESIGN UNITS: INCH  
TOLERANCES UNLESS NOTED:

NO PLACES	X	±	0.400
ONE PLACE	.X	±	0.03
TWO PLACE	.XX	±	0.01
THREE PLACE	.XXX	±	0.005
ANGLES	X	±	0.5°

THIRD ANGLE PROJECTION



2

1

**Honeywell**

TITLE  
"S" TYPE PRESSURE TRANSDUCER  
3/8 - 24 UNF P/N 1542

DRAWN	-	18MAR71
CHECK	-	-
THIS DRAWING COVERS A PROPRIETARY ITEM AND IS THE PROPERTY OF HONEYWELL. THIS DRAWING IS NOT TO BE COPIED OR USED WITHOUT THE PERMISSION OF HONEYWELL.		
INTERPRET PER ASME Y14.5M-1994 OTHER HONEYWELL ENGINEERING STANDARDS MAY APPLY		

SIZE	TYPE	CAGE CODE	DRAWING NAME	REV
A	E	-	000-0134-00	E

SCALE	-	SHEET	1	OF	1
-------	---	-------	---	----	---

A

B