

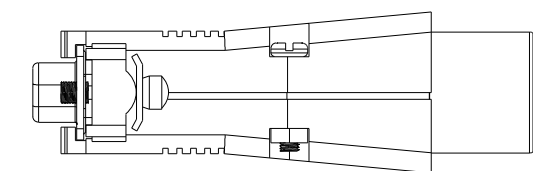
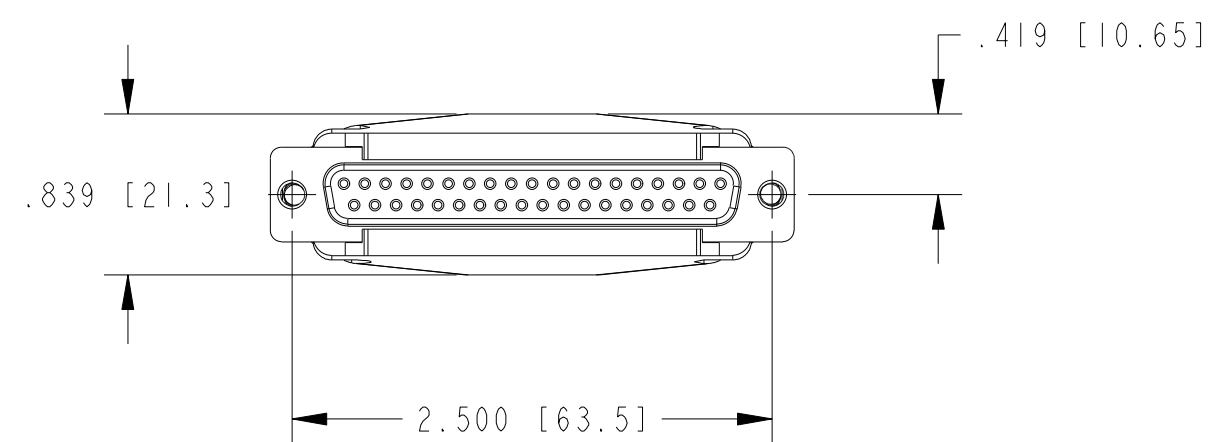
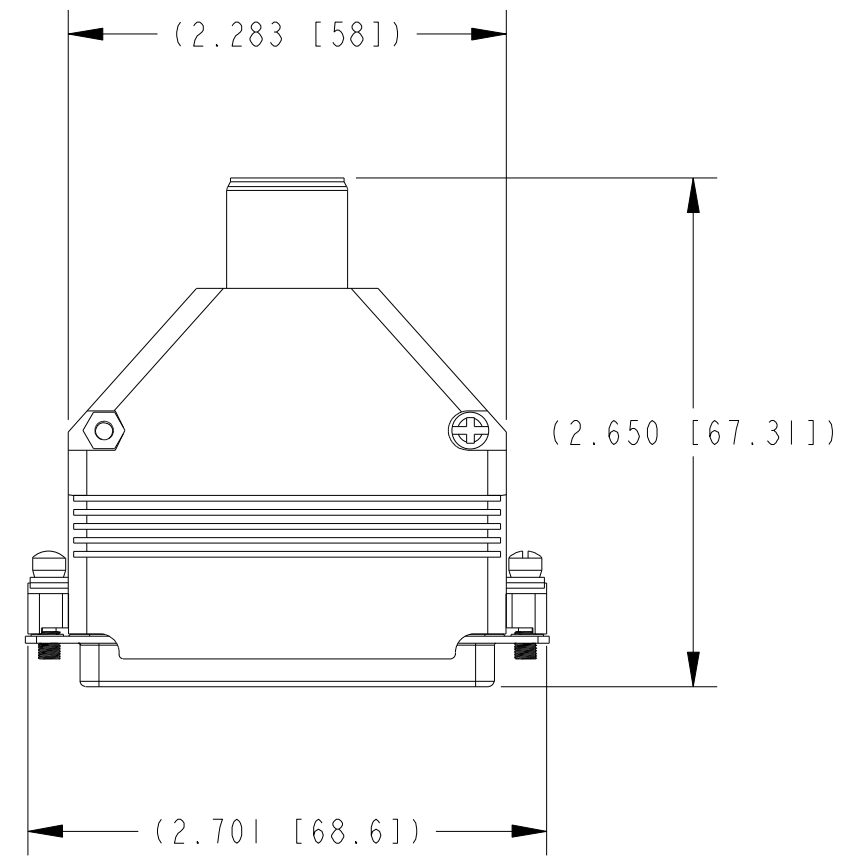
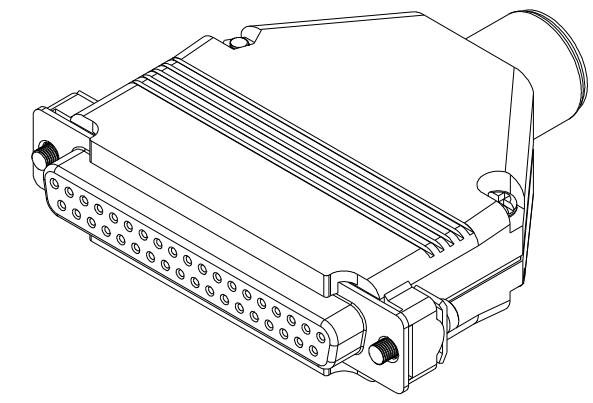
4

3

2

1

COPYRIGHT ©2012 NATIONAL INSTRUMENTS CORPORATION AND ITS LICENSORS. ALL RIGHTS RESERVED.

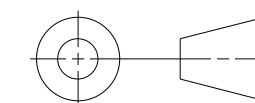


CUSTOMER DRAWING

UNLESS OTHERWISE SPECIFIED DIMENSIONS ARE IN INCHES AND [MILLIMETERS].

DO NOT SCALE DRAWING

THIRD ANGLE PROJECTION



AUSTIN, TEXAS

TITLE

NI TB-37F-37SC

SIZE CODE IDENT NO. MM/DD/YYYY

C7U296

03/06/13

SCALE: 1/1

SHEET 1 OF 1

1. DIMENSIONS IN () ARE FOR REFERENCE ONLY.
NOTES: UNLESS OTHERWISE SPECIFIED.

4

3

2

1