

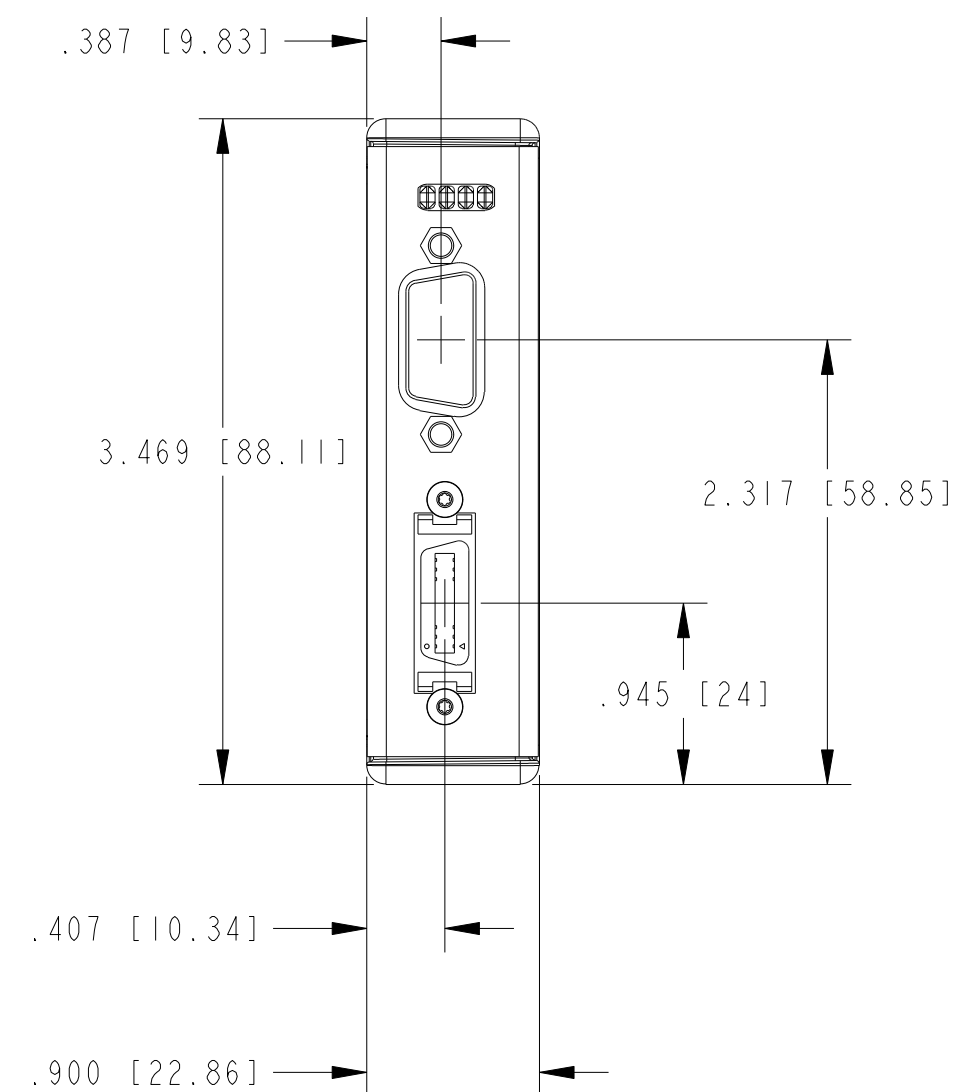
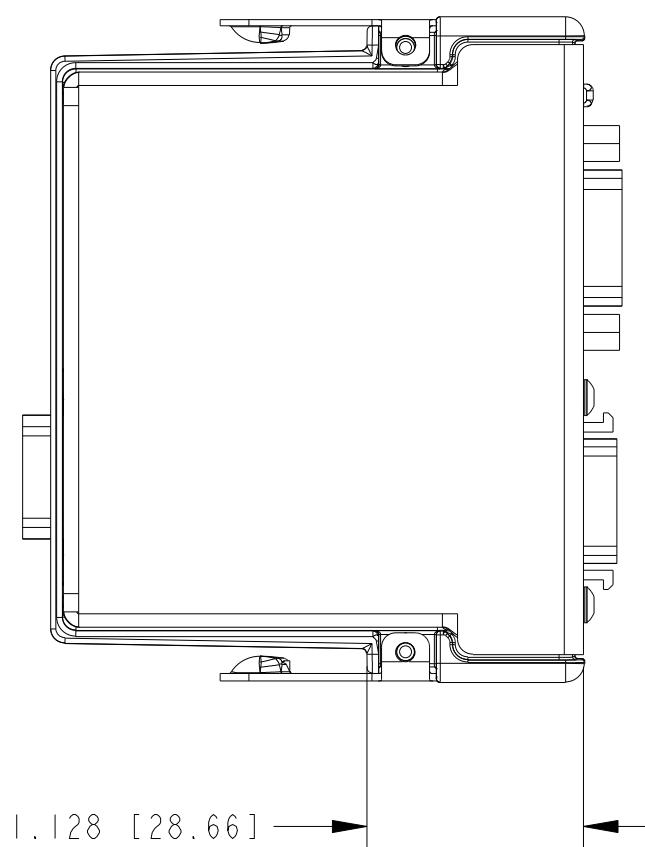
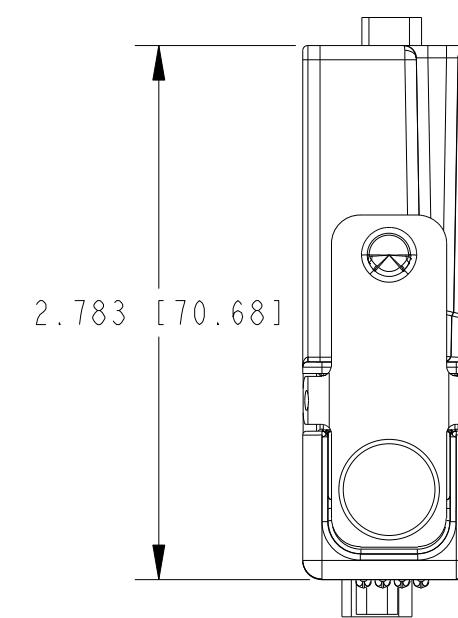
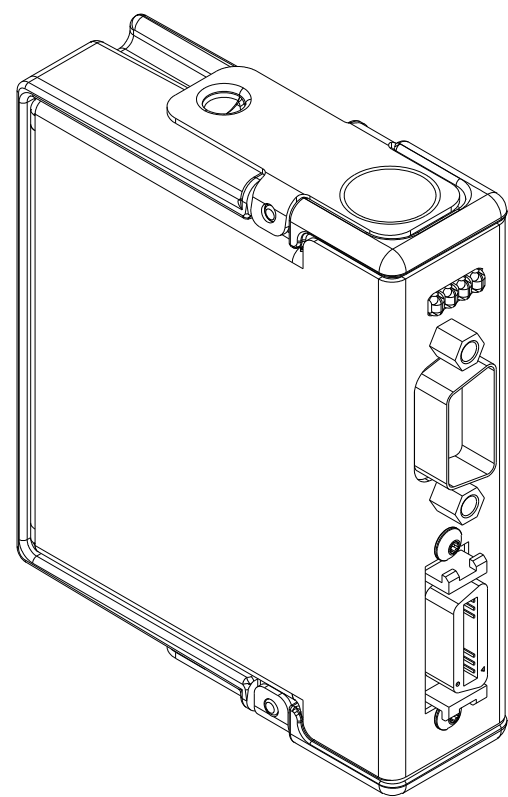
4

3

2

1

COPYRIGHT ©2013  
NATIONAL INSTRUMENTS CORPORATION AND ITS LICENSORS. ALL RIGHTS RESERVED.



CUSTOMER DRAWING

UNLESS OTHERWISE SPECIFIED  
DIMENSIONS ARE IN INCHES AND  
[MILLIMETERS].



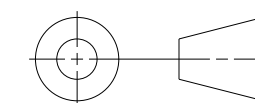
AUSTIN, TEXAS

DO NOT SCALE DRAWING

TITLE

NI-951X

THIRD ANGLE PROJECTION



SIZE CODE IDENT NO. MM/DD/YYYY

C7U296

06/03/2013

SCALE: 1/1

SHEET 1 OF 1

NOTES: UNLESS OTHERWISE SPECIFIED.

4

3

2

1