

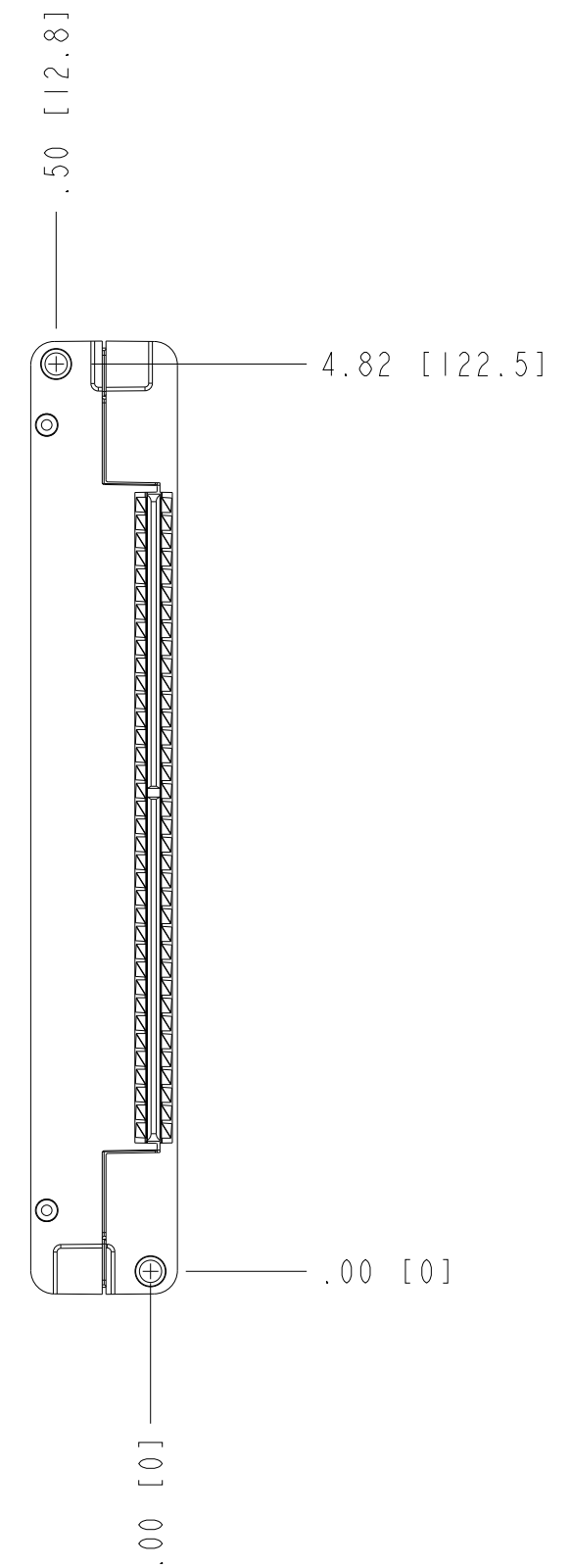
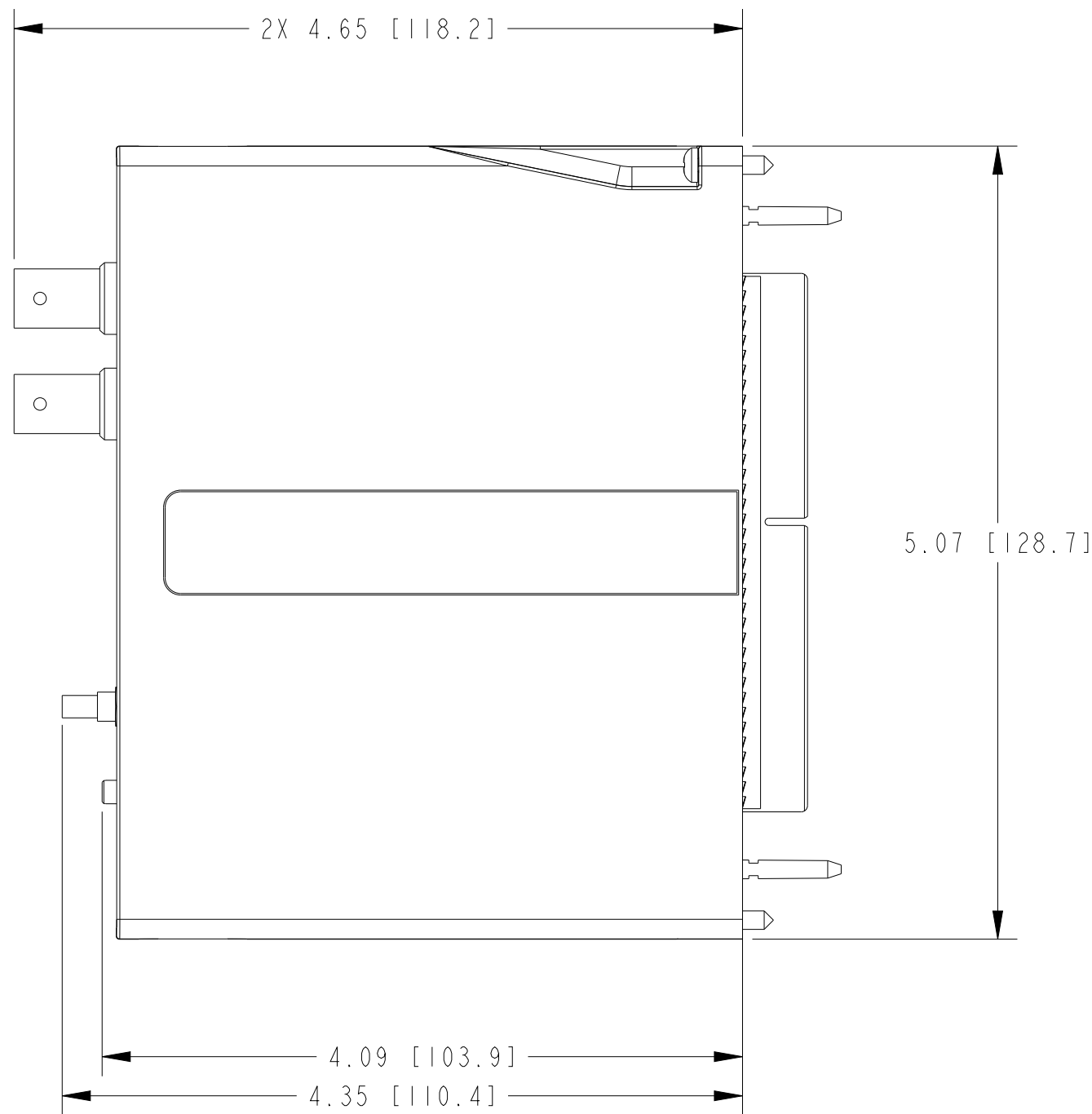
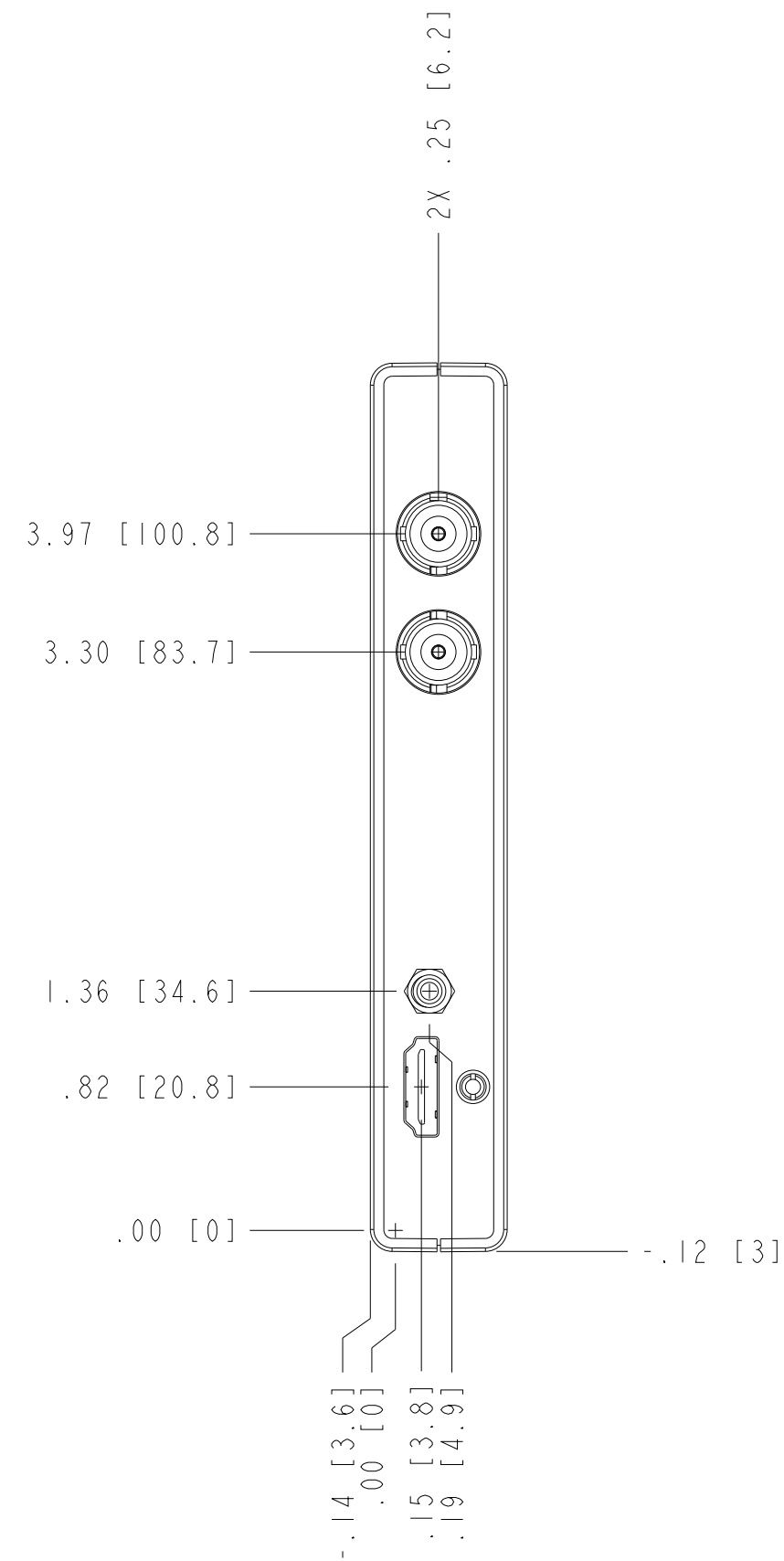
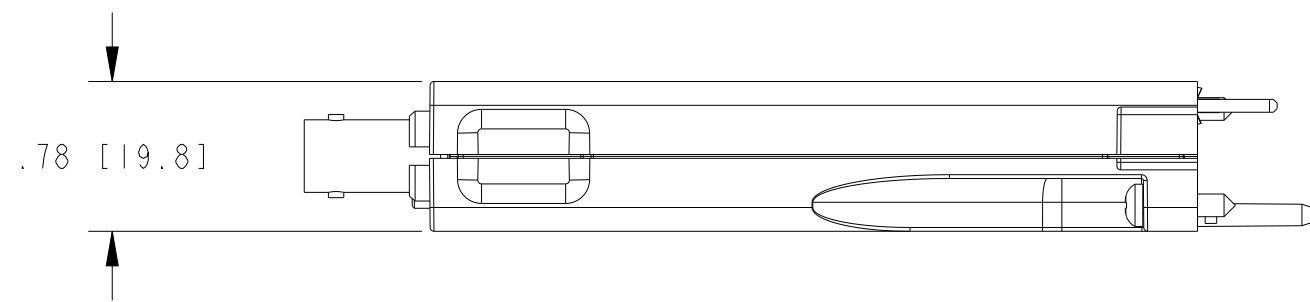
4

3

2

1

COPYRIGHT ©2012-2014
NATIONAL INSTRUMENTS CORPORATION AND ITS LICENSORS. ALL RIGHTS RESERVED.

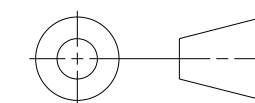


CUSTOMER DRAWING

UNLESS OTHERWISE SPECIFIED
DIMENSIONS ARE IN INCHES AND
[MILLIMETERS].

DO NOT SCALE DRAWING

THIRD ANGLE PROJECTION



AUSTIN, TEXAS

TITLE

NI 573X

SIZE CODE IDENT NO. MM/DD/YYYY

C7U296

02/28/2014

SCALE: 1/1

SHEET 1 OF 1

CU_FAM2_NI-573X

1. REFER TO PRODUCT MANUAL ON NI.COM FOR MORE DETAILS.

NOTES: UNLESS OTHERWISE SPECIFIED.

4

3

2

1

D

D

C

C

B

B

A

A