

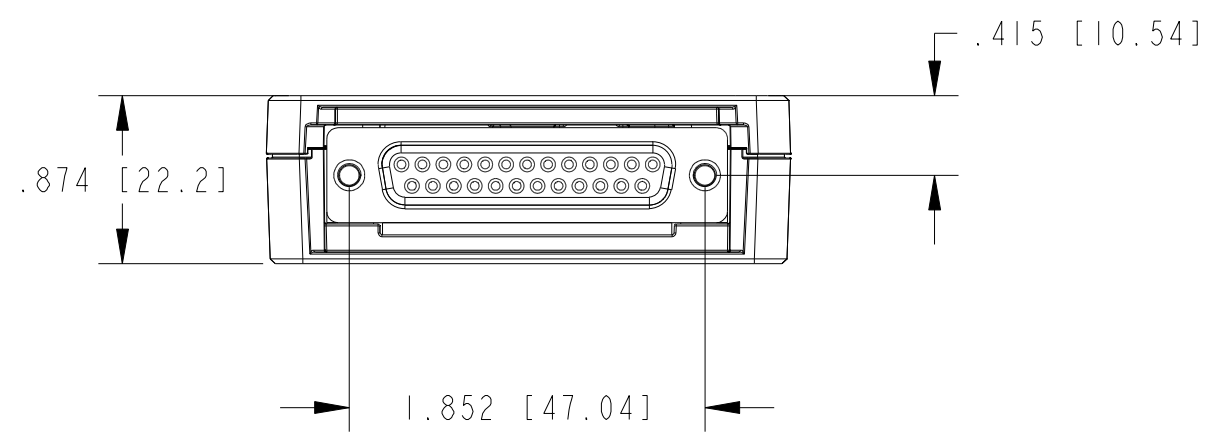
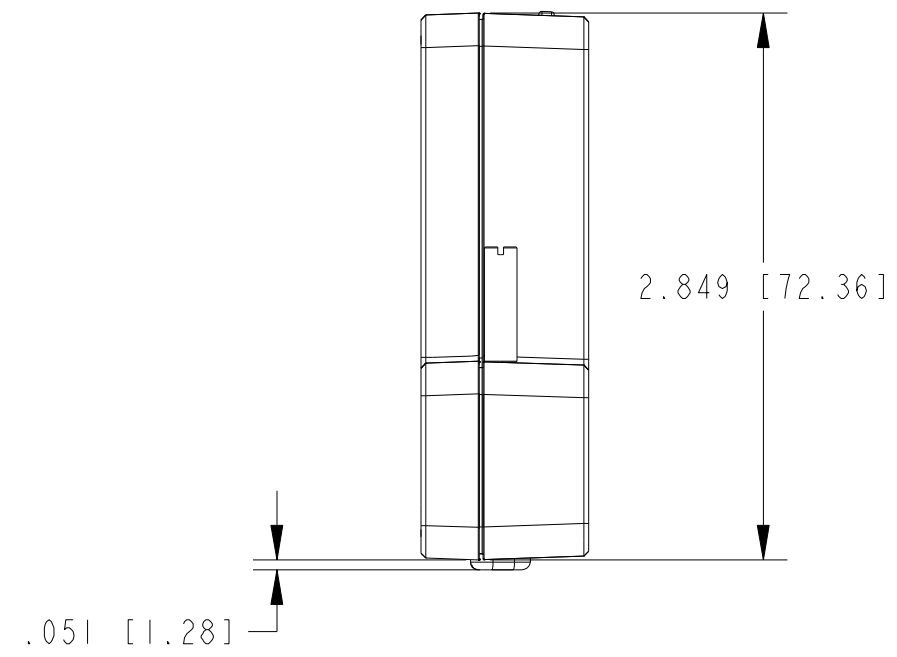
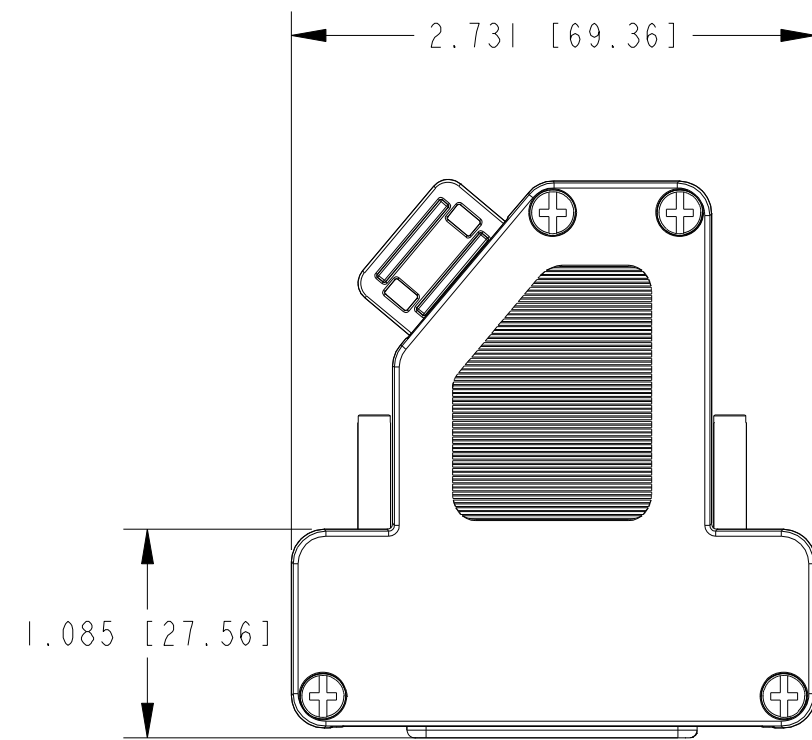
4

3

2

1

COPYRIGHT ©2012  
NATIONAL INSTRUMENTS CORPORATION AND ITS LICENSORS. ALL RIGHTS RESERVED.

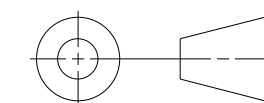


CUSTOMER DRAWING

UNLESS OTHERWISE SPECIFIED  
DIMENSIONS ARE IN INCHES AND  
[MILLIMETERS].

DO NOT SCALE DRAWING

THIRD ANGLE PROJECTION



AUSTIN, TEXAS

TITLE

NI 9924 TERMINAL BLOCK FOR  
C-SERIES 25-PIN D-SUB MODULES

SIZE CODE IDENT NO. MM/DD/YYYY

C 7U296

03/12/2012

SCALE: 1/1

SHEET 1 OF 1

4

3

2

1

D

D

C

C

B

B

A

A