

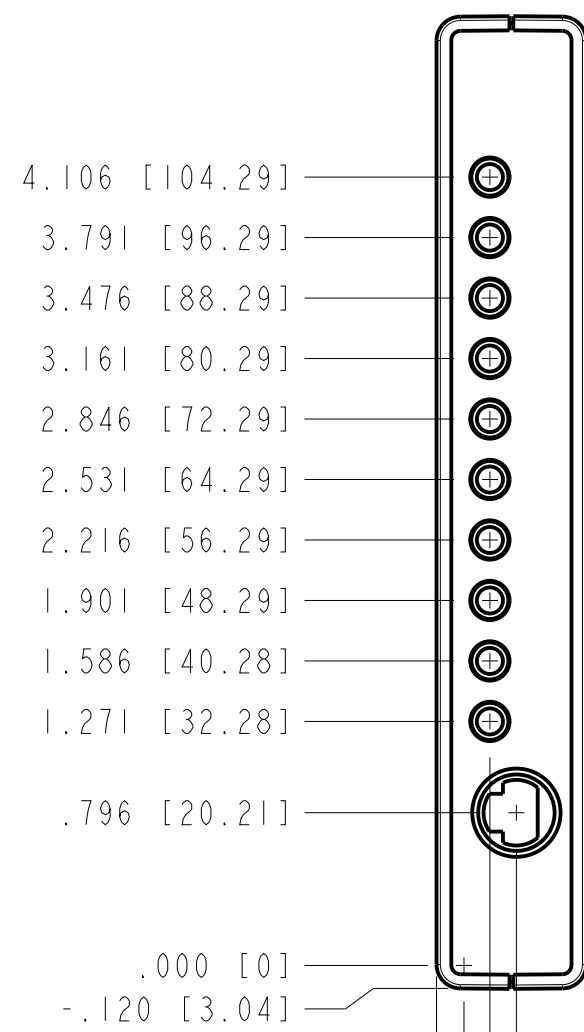
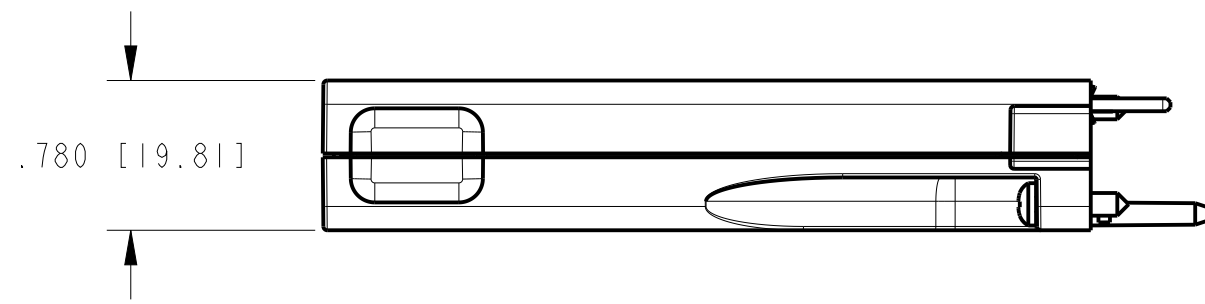
4

3

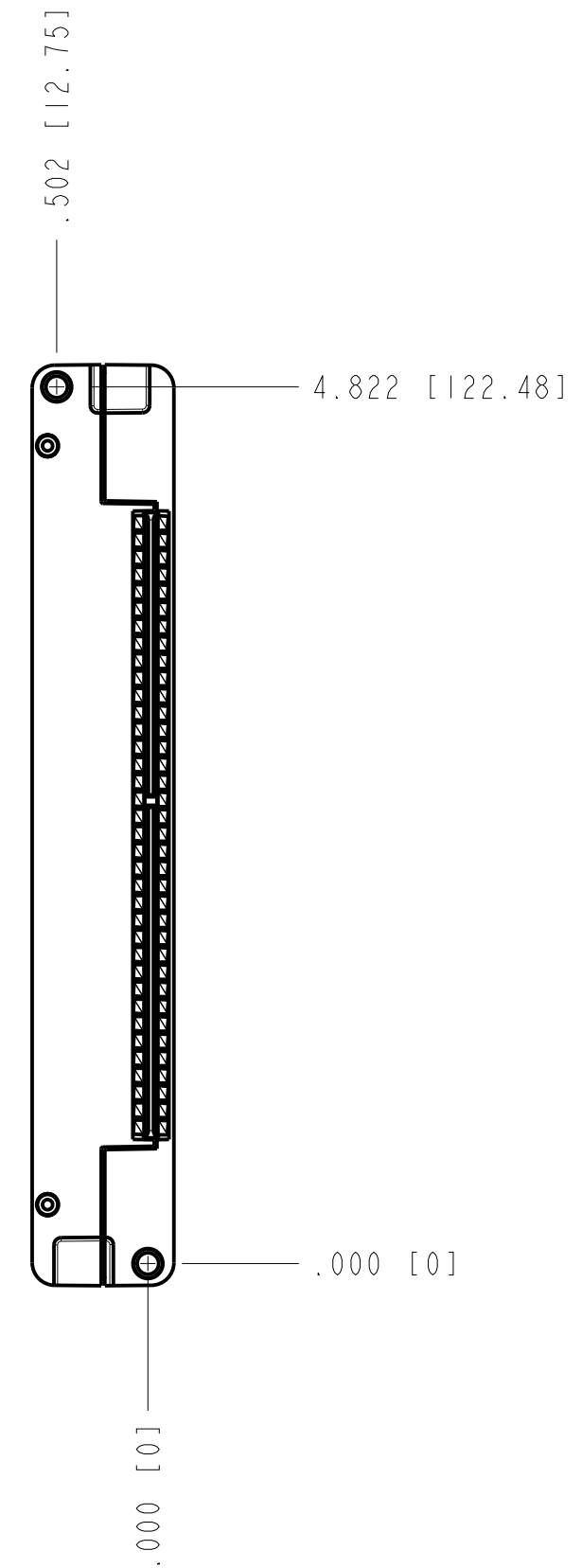
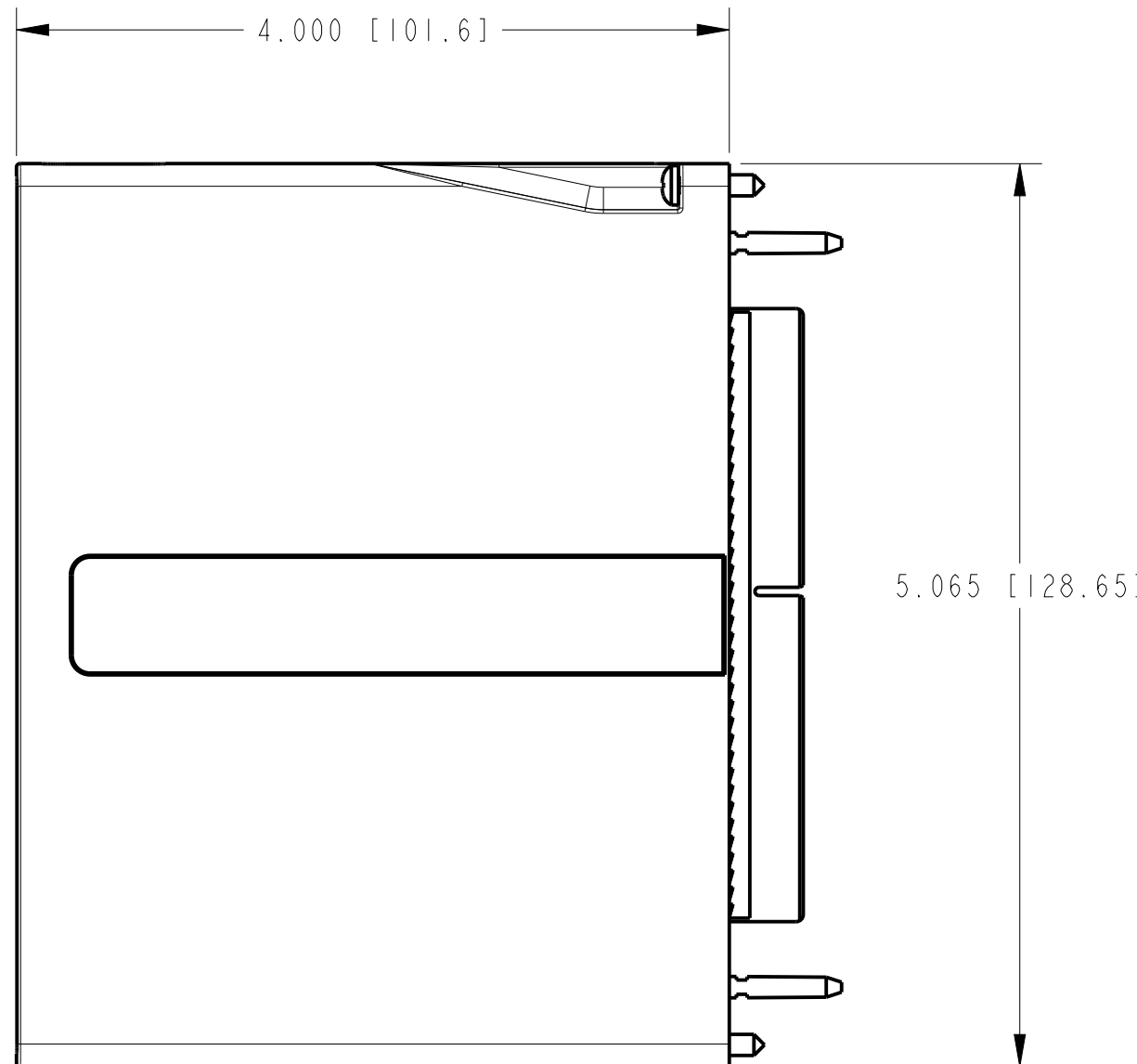
2

1

COPYRIGHT ©2012 NATIONAL INSTRUMENTS CORPORATION AND ITS LICENSORS. ALL RIGHTS RESERVED.



10X  
-.143 [3.63]  
0.000 [0]  
-.135 [3.43]  
-.273 [6.93]

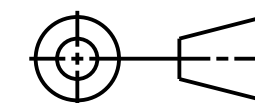


CUSTOMER DRAWING

UNLESS OTHERWISE SPECIFIED DIMENSIONS ARE IN INCHES AND [MILLIMETERS].

DO NOT SCALE DRAWING

THIRD ANGLE PROJECTION



AUSTIN, TEXAS

TITLE

NI 5781

SIZE CODE IDENT NO. MM/DD/YYYY

C 7U296

01/12/2012

SCALE: 1/1

SHEET 1 OF 1

4

3

2

1

D

D

C

C

B

B

A

A