

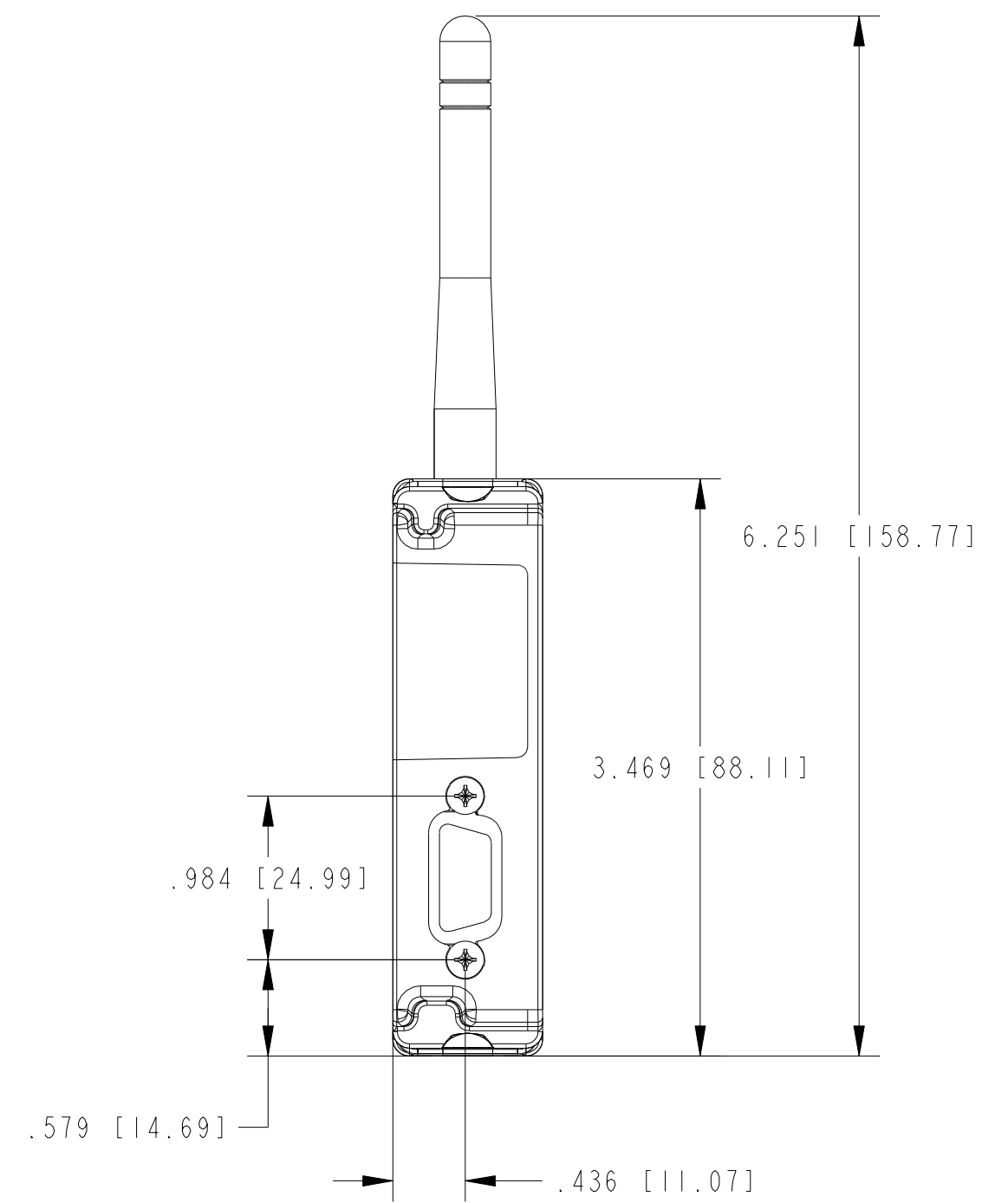
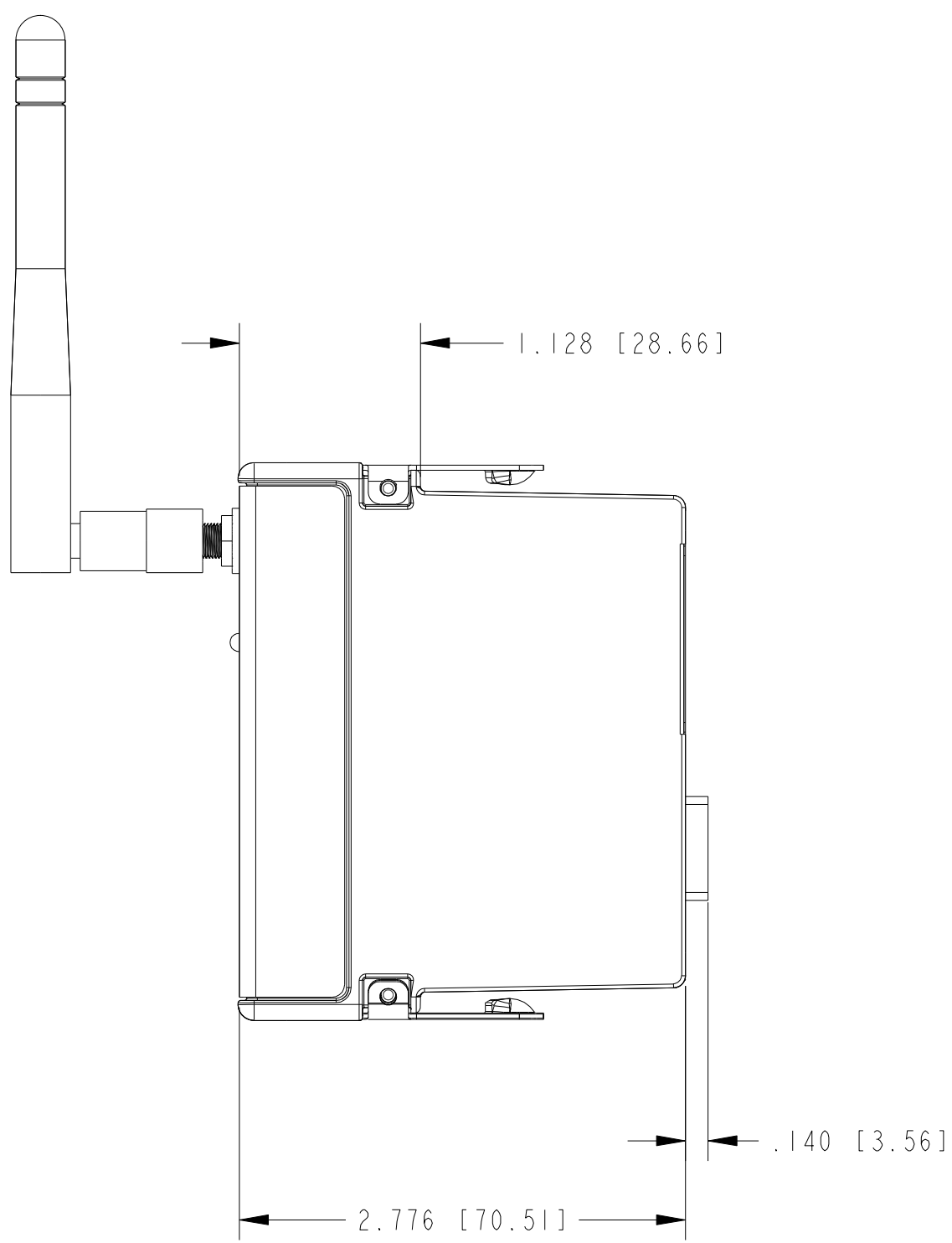
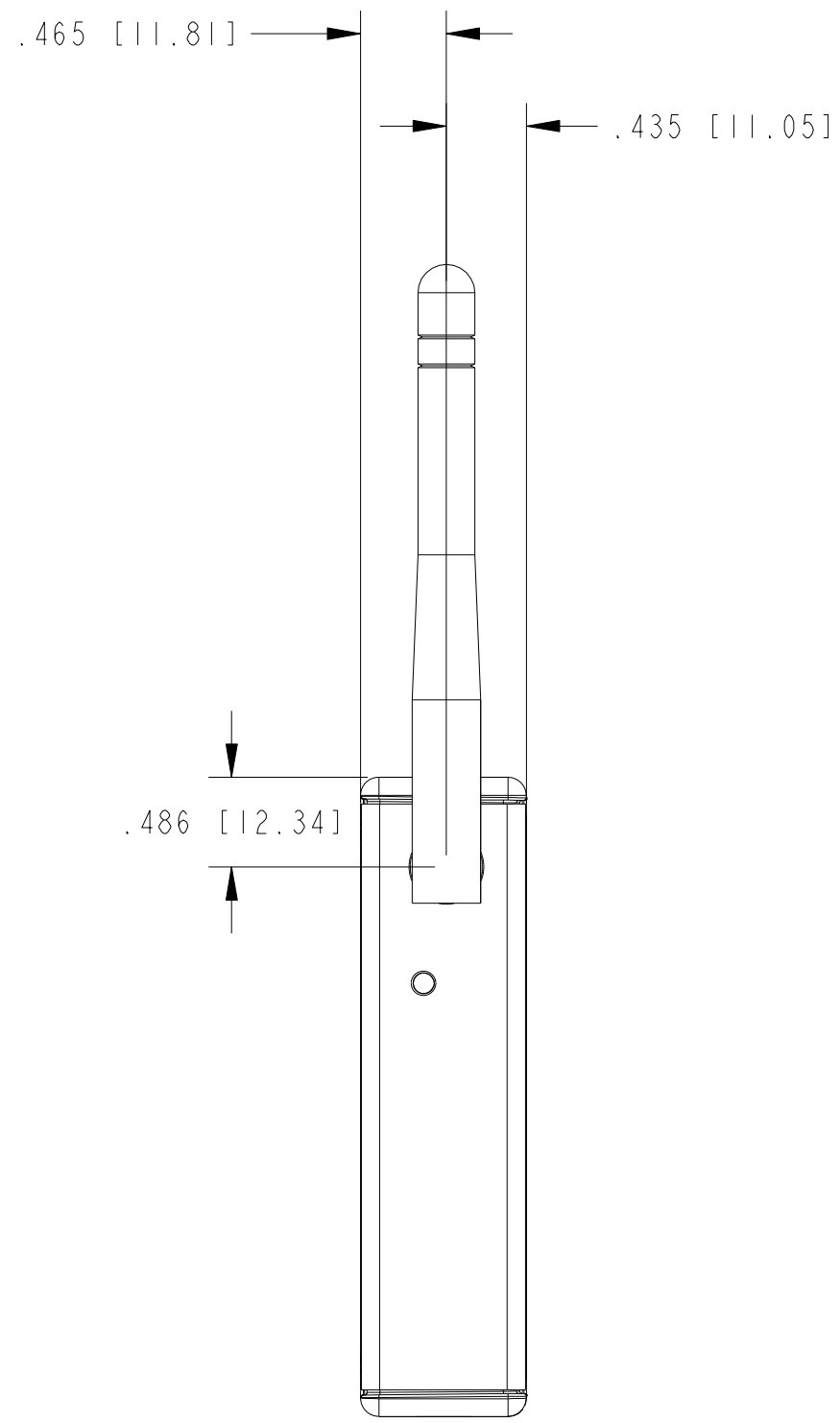
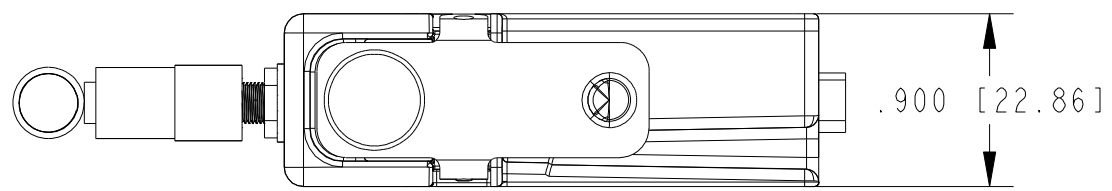
4

3

2

1

COPYRIGHT ©2011 NATIONAL INSTRUMENTS CORPORATION AND ITS LICENSORS. ALL RIGHTS RESERVED.

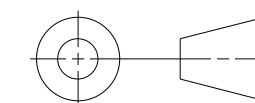


CUSTOMER DRAWING

UNLESS OTHERWISE SPECIFIED DIMENSIONS ARE IN INCHES AND [MILLIMETERS].

DO NOT SCALE DRAWING

THIRD ANGLE PROJECTION



**NATIONAL INSTRUMENTS®** AUSTIN, TEXAS  
TITLE

NI 9795 C SERIES  
WSN GATEWAY

SIZE CODE IDENT NO. MM/DD/YYYY  
C 7U296 08/24/2011

SCALE: 1/1 SHEET 1 OF 1

4

3

2

1

D

D

C

C

B

B

A

A