

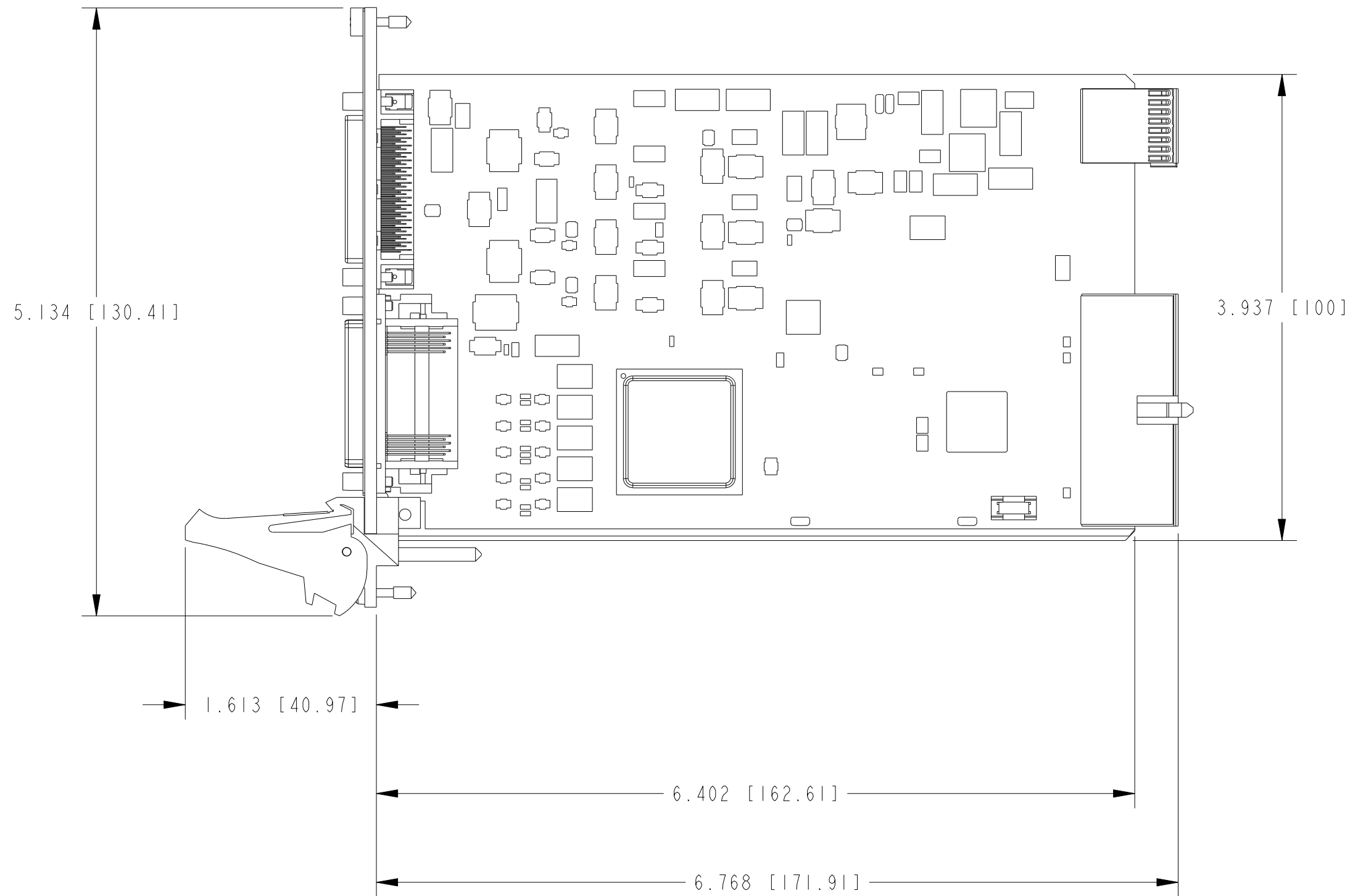
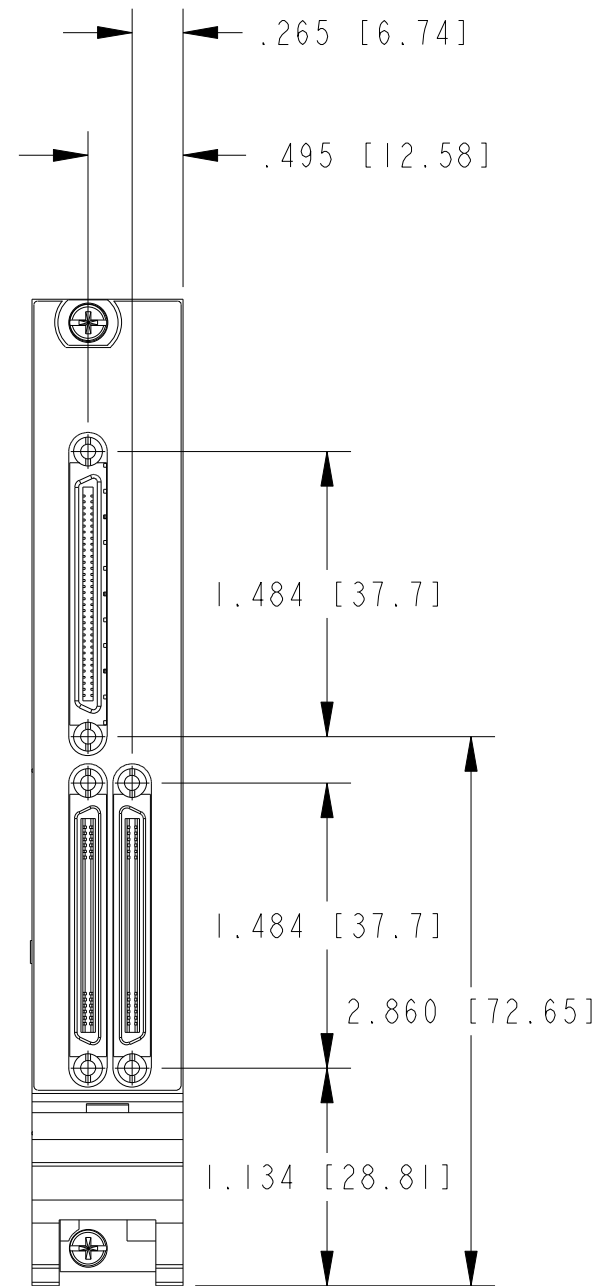
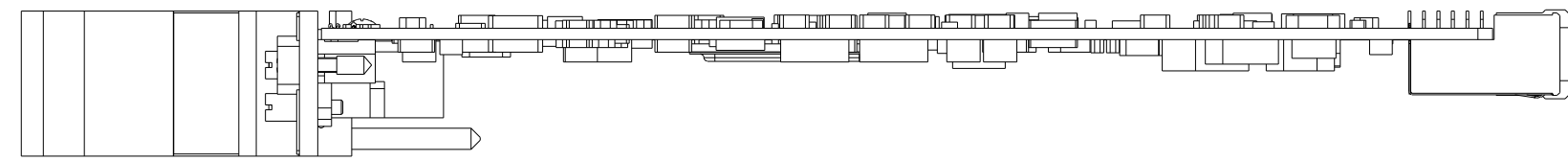
4

3

2

1

COPYRIGHT ©11/18/08  
NATIONAL INSTRUMENTS CORPORATION AND ITS LICENSORS. ALL RIGHTS RESERVED.

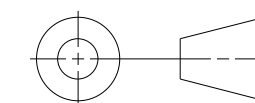


CUSTOMER DRAWING

UNLESS OTHERWISE SPECIFIED  
DIMENSIONS ARE IN INCHES AND  
[MILLIMETERS].

DO NOT SCALE DRAWING

THIRD ANGLE PROJECTION



AUSTIN, TEXAS

TITLE

PXI-784XR & PXI-785XR  
R SERIES

SIZE CODE IDENT NO. MM/DD/YYYY

C 7U296

11/18/08

SCALE: 1/1

SHEET 1 OF 1

CD\_PXI-785XR

4

3

2

1

D

D

C

C

B

B

A

A