

4

3

2

1

COPYRIGHT ©2010  
NATIONAL INSTRUMENTS CORPORATION AND ITS LICENSORS. ALL RIGHTS RESERVED.

D

D

C

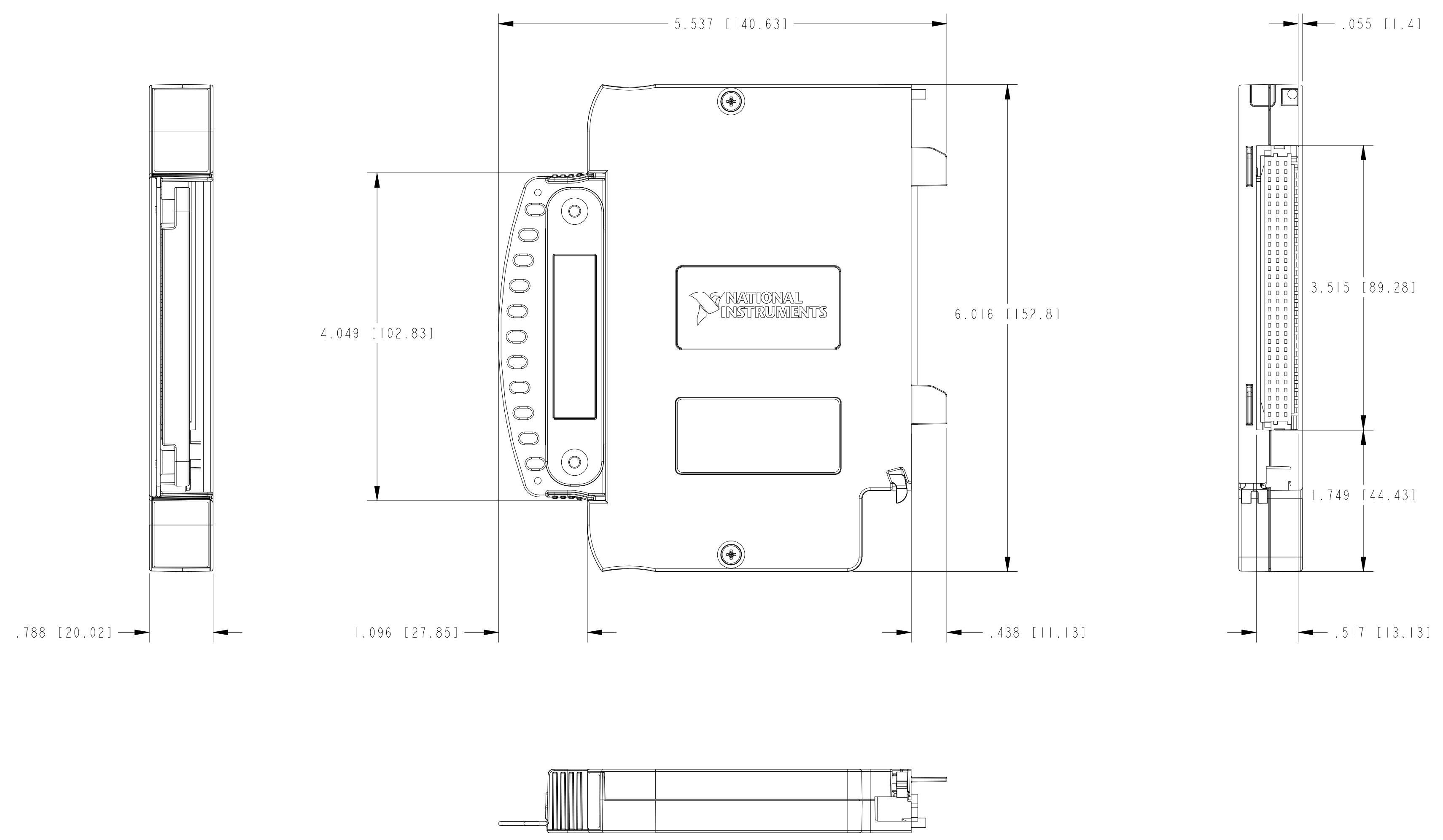
C

B

B

A

A

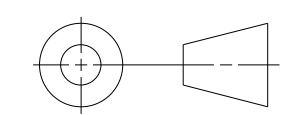


CUSTOMER DRAWING

UNLESS OTHERWISE SPECIFIED  
DIMENSIONS ARE IN INCHES AND  
[MILLIMETERS].

DO NOT SCALE DRAWING

THIRD ANGLE PROJECTION



**NATIONAL INSTRUMENTS®** AUSTIN, TEXAS

TITLE  
PXIE SIGNAL CONDITIONING  
TERMINAL BLOCK, TB-4300B

SIZE CODE IDENT NO. MM/DD/YYYY  
C 7U296 12/13/10

SCALE: 1/1 SHEET 1 OF 1

4

3

2

1