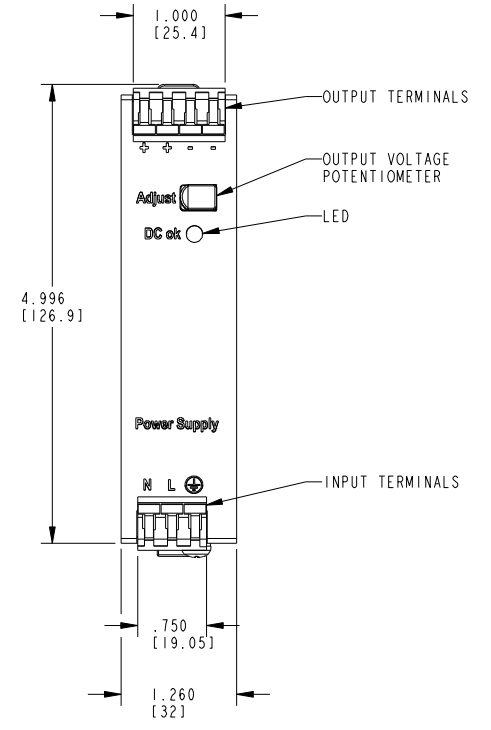
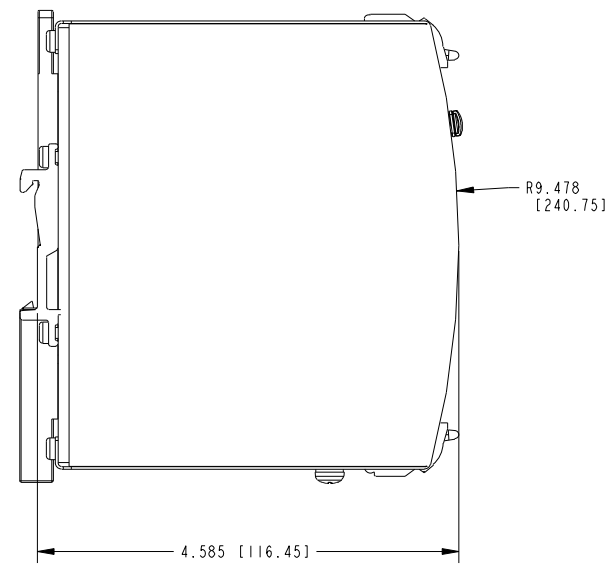
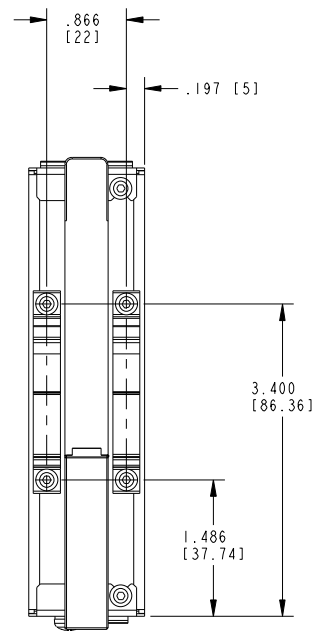


ISOMETRIC VIEW



1. REFER TO PRODUCT MANUAL ON NI.COM FOR MORE DETAILS.
 NOTES: UNLESS OTHERWISE SPECIFIED.

UNLESS OTHERWISE SPECIFIED DIMENSIONS ARE IN INCHES AND [MILLIMETERS].	NATIONAL INSTRUMENTS® AUSTIN, TEXAS	
	DO NOT SCALE DRAWING THIRD ANGLE PROJECTION	
	TITLE CUSTOMER DRAWING, POWER SUPPLY, PS-15	
	SIZE CODE IDENT NO. MM/DD/YYYY D17U296 12/14/09	SCALE: 1/1 SHEET 1 OF 1 CU.ASSY.POWER.SUPPLY.PS-15