

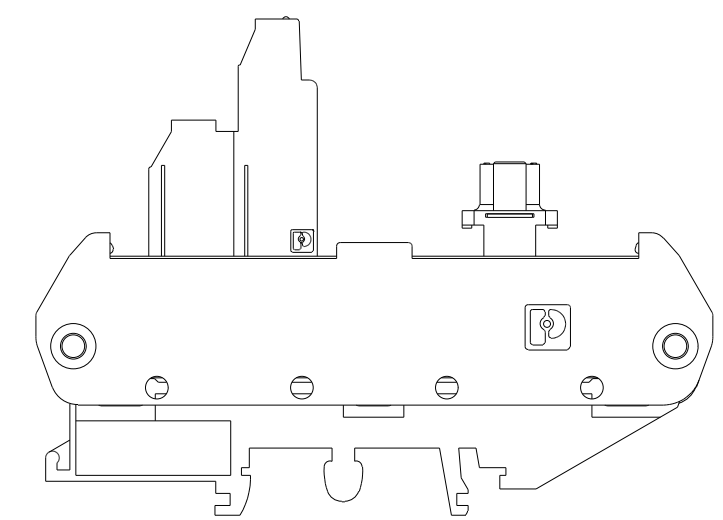
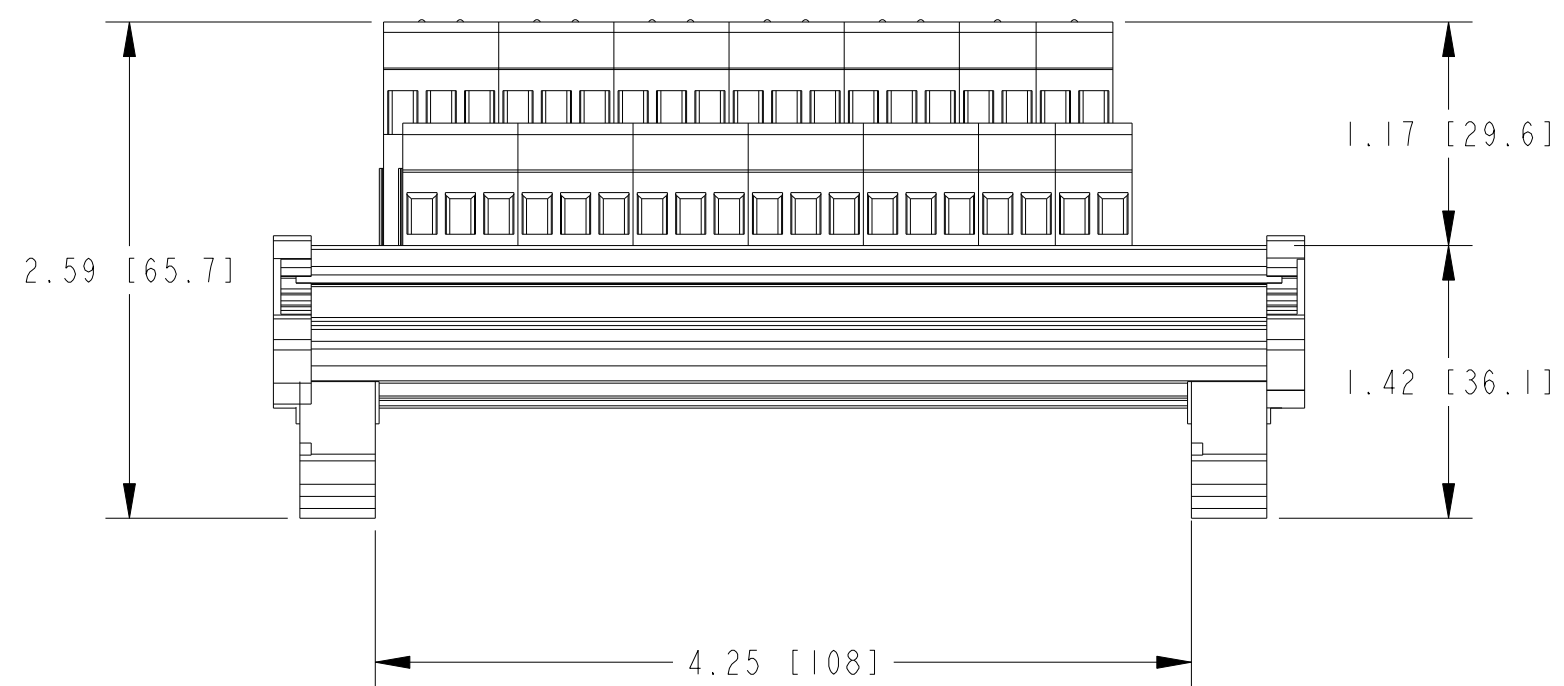
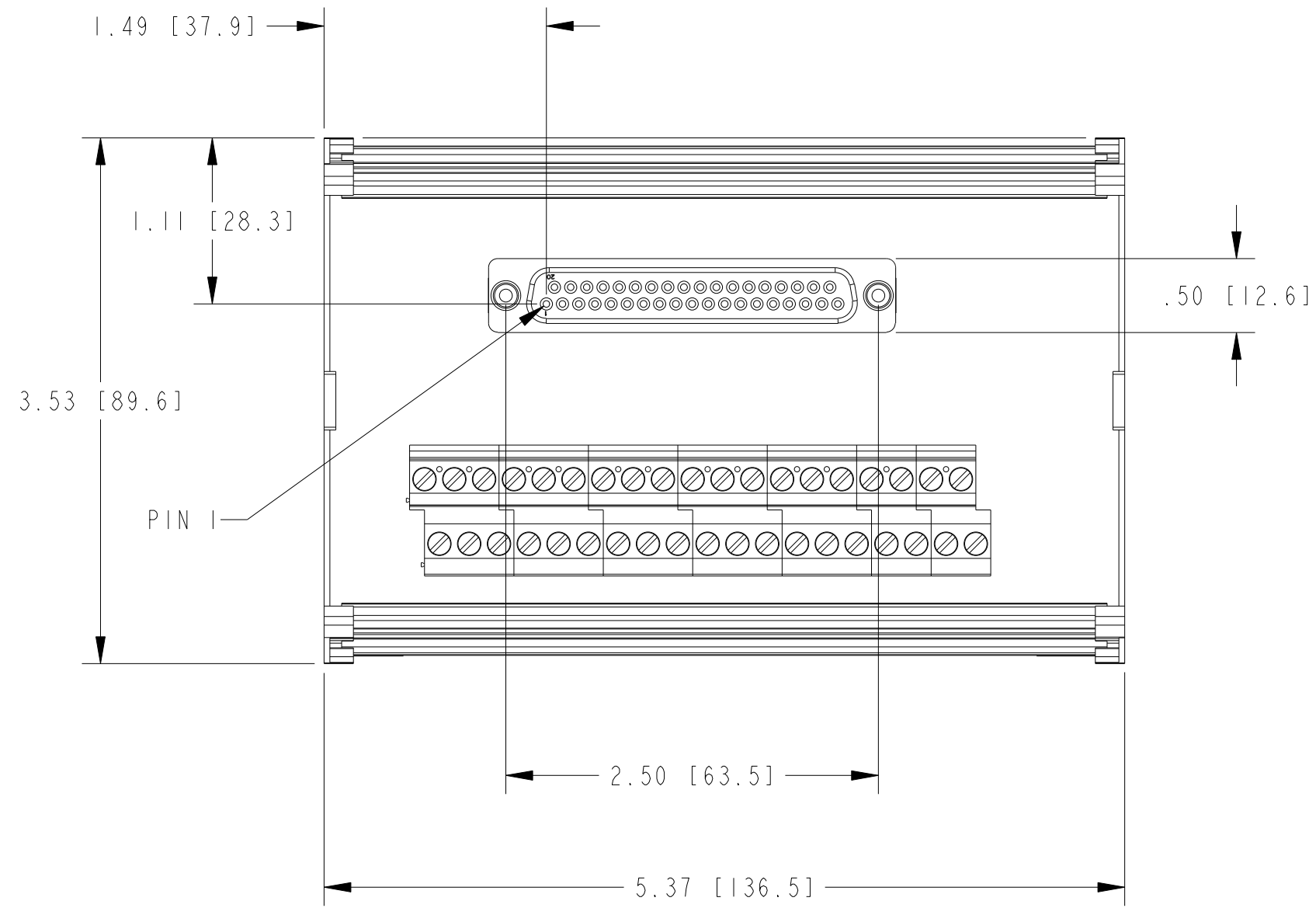
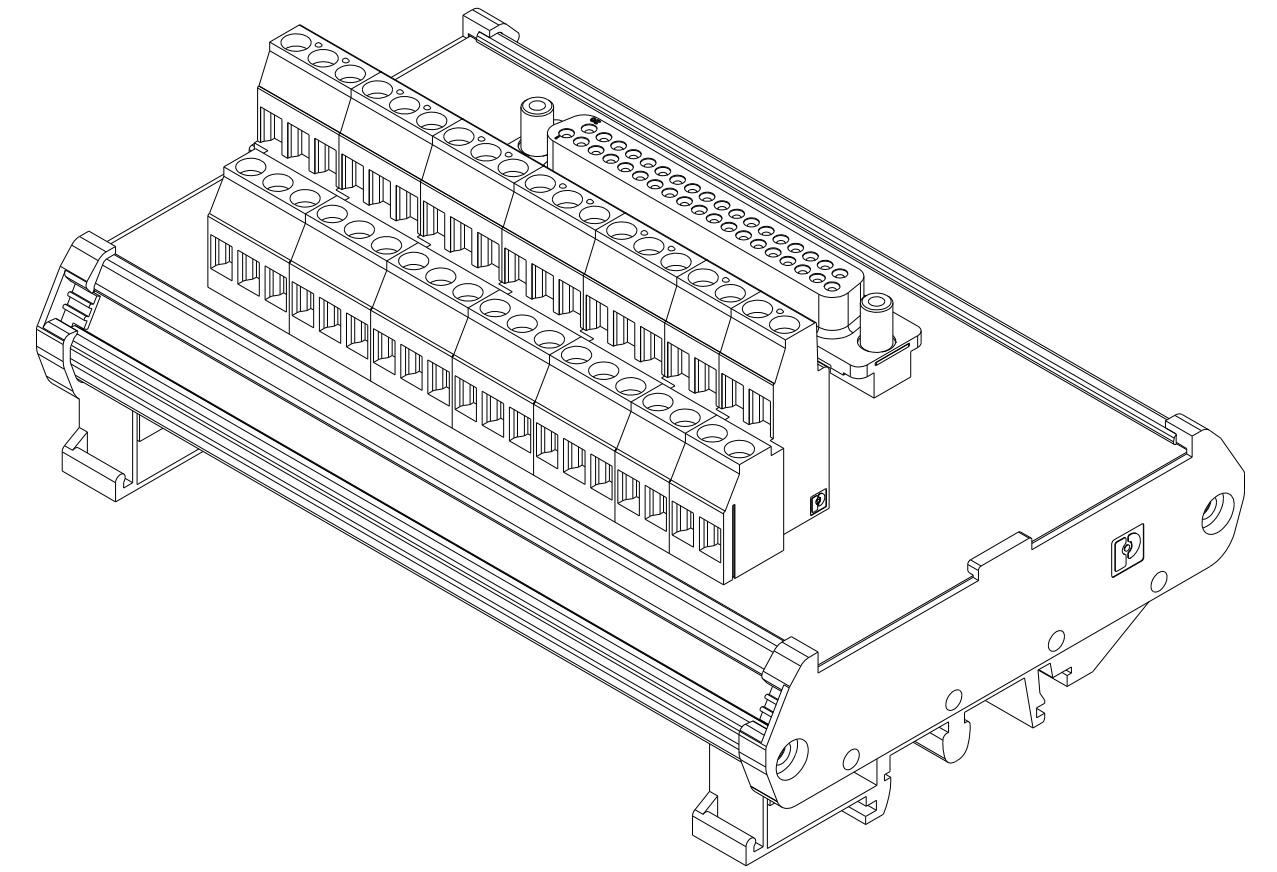
4

3

2

1

COPYRIGHT ©2014  
NATIONAL INSTRUMENTS CORPORATION AND ITS LICENSORS. ALL RIGHTS RESERVED.

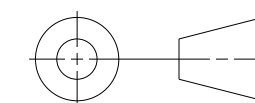


CUSTOMER DRAWING

UNLESS OTHERWISE SPECIFIED  
DIMENSIONS ARE IN INCHES AND  
[MILLIMETERS].

DO NOT SCALE DRAWING

THIRD ANGLE PROJECTION



AUSTIN, TEXAS

TITLE

CB-37F-HVD

SIZE CODE IDENT NO. MM/DD/YYYY

C 7U296

03-21-2014

SCALE: 1/1

SHEET 1 OF 1

1. REFER TO PRODUCT MANUAL ON NI.COM FOR MORE DETAILED DIMENSIONS.  
NOTES: UNLESS OTHERWISE SPECIFIED.

4

3

2

1

CU\_CB-37F-HVD