

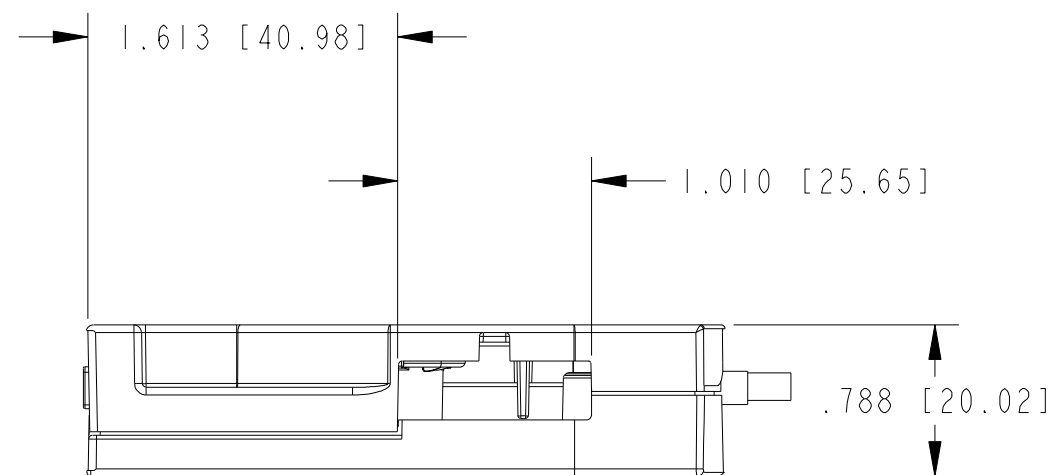
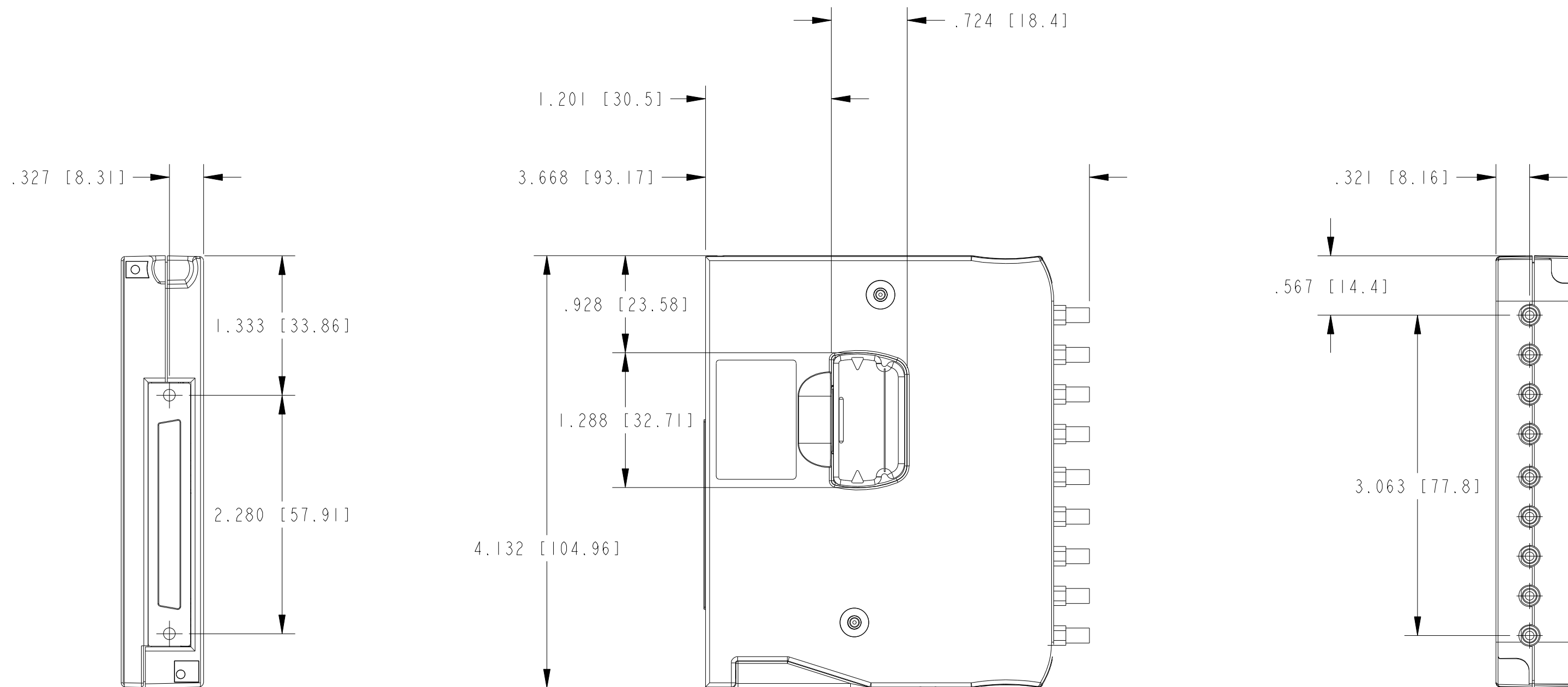
4

3

2

1

COPYRIGHT ©2008  
NATIONAL INSTRUMENTS CORPORATION AND ITS LICENSORS. ALL RIGHTS RESERVED.

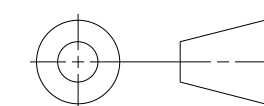


CUSTOMER DRAWING

UNLESS OTHERWISE SPECIFIED  
DIMENSIONS ARE IN INCHES AND  
[MILLIMETERS].

DO NOT SCALE DRAWING

THIRD ANGLE PROJECTION



**NATIONAL INSTRUMENTS®** AUSTIN, TEXAS

TITLE  
NI TB-2709 DIRECT CONNECTIVITY  
TO SIMULTANEOUS-SAMPLING DAQ

SIZE CODE IDENT NO. MM/DD/YYYY  
C7U296 01/14/08

SCALE: 1/1 SHEET 1 OF 1

4

3

2

1