

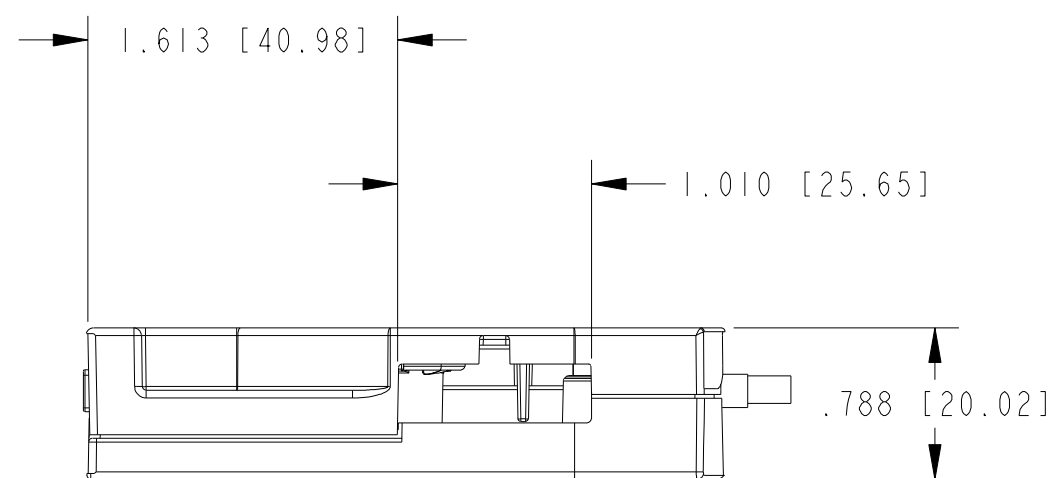
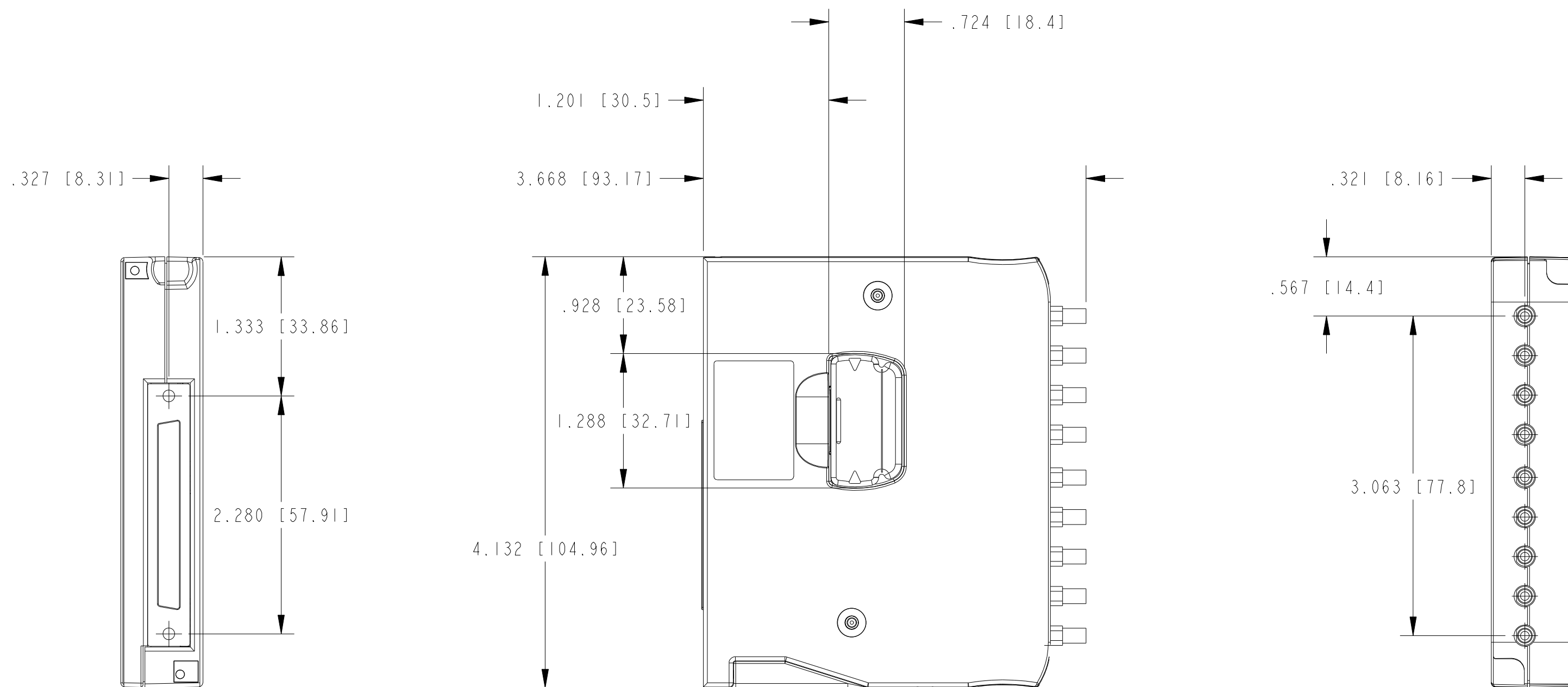
4

3

2

1

COPYRIGHT ©2008
NATIONAL INSTRUMENTS CORPORATION AND ITS LICENSORS. ALL RIGHTS RESERVED.

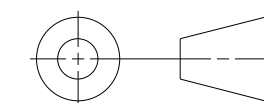


CUSTOMER DRAWING

UNLESS OTHERWISE SPECIFIED
DIMENSIONS ARE IN INCHES AND
[MILLIMETERS].

DO NOT SCALE DRAWING

THIRD ANGLE PROJECTION



NATIONAL INSTRUMENTS® AUSTIN, TEXAS

TITLE
 NI TB-2708 DIRECT CONNECTIVITY
 TO SIMULTANEOUS-SAMPLING DAQ

SIZE CODE IDENT NO. MM/DD/YYYY
 C7U296 01/14/08

SCALE: 1/1 SHEET 1 OF 1

4

3

2

1