

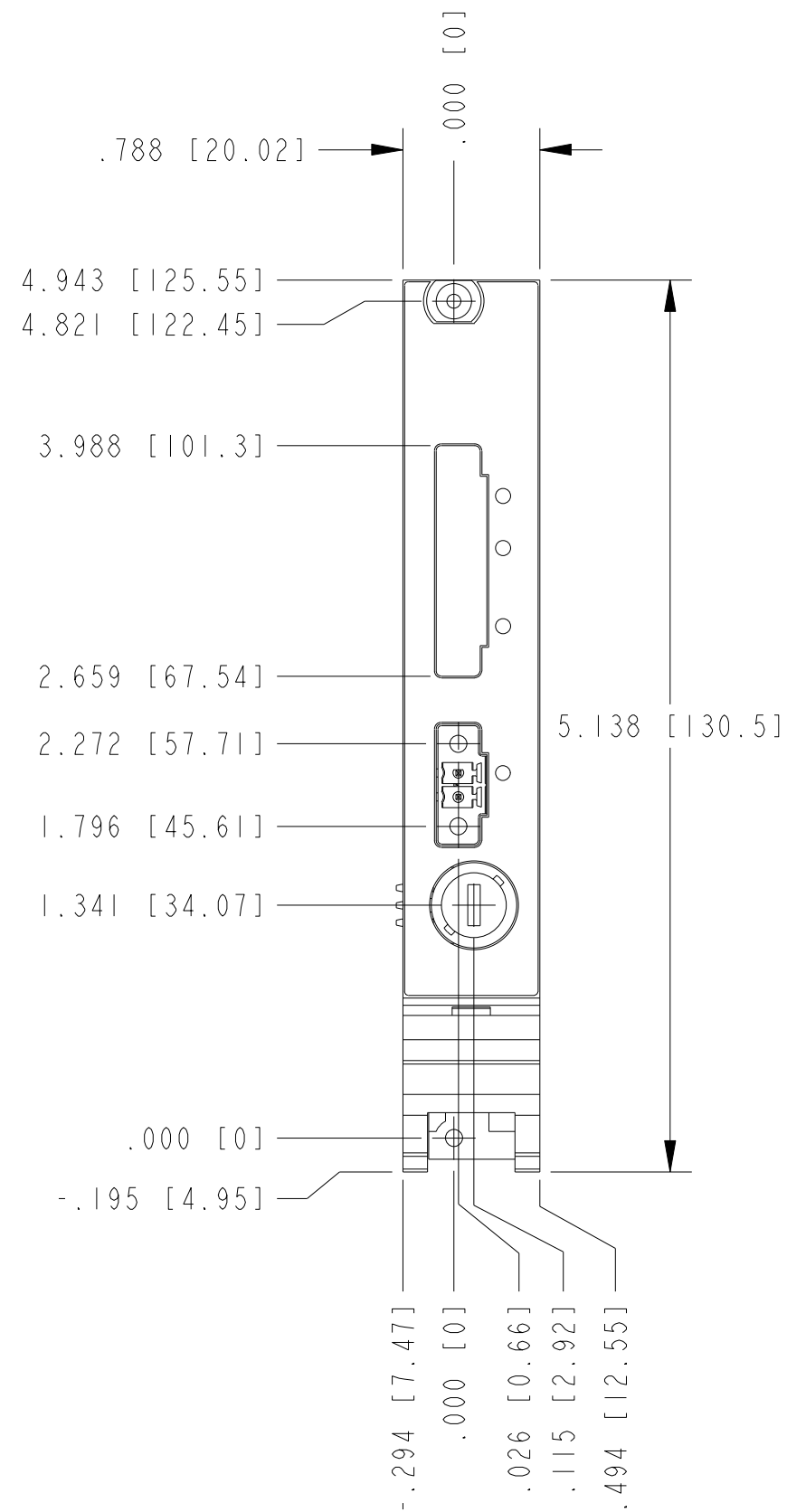
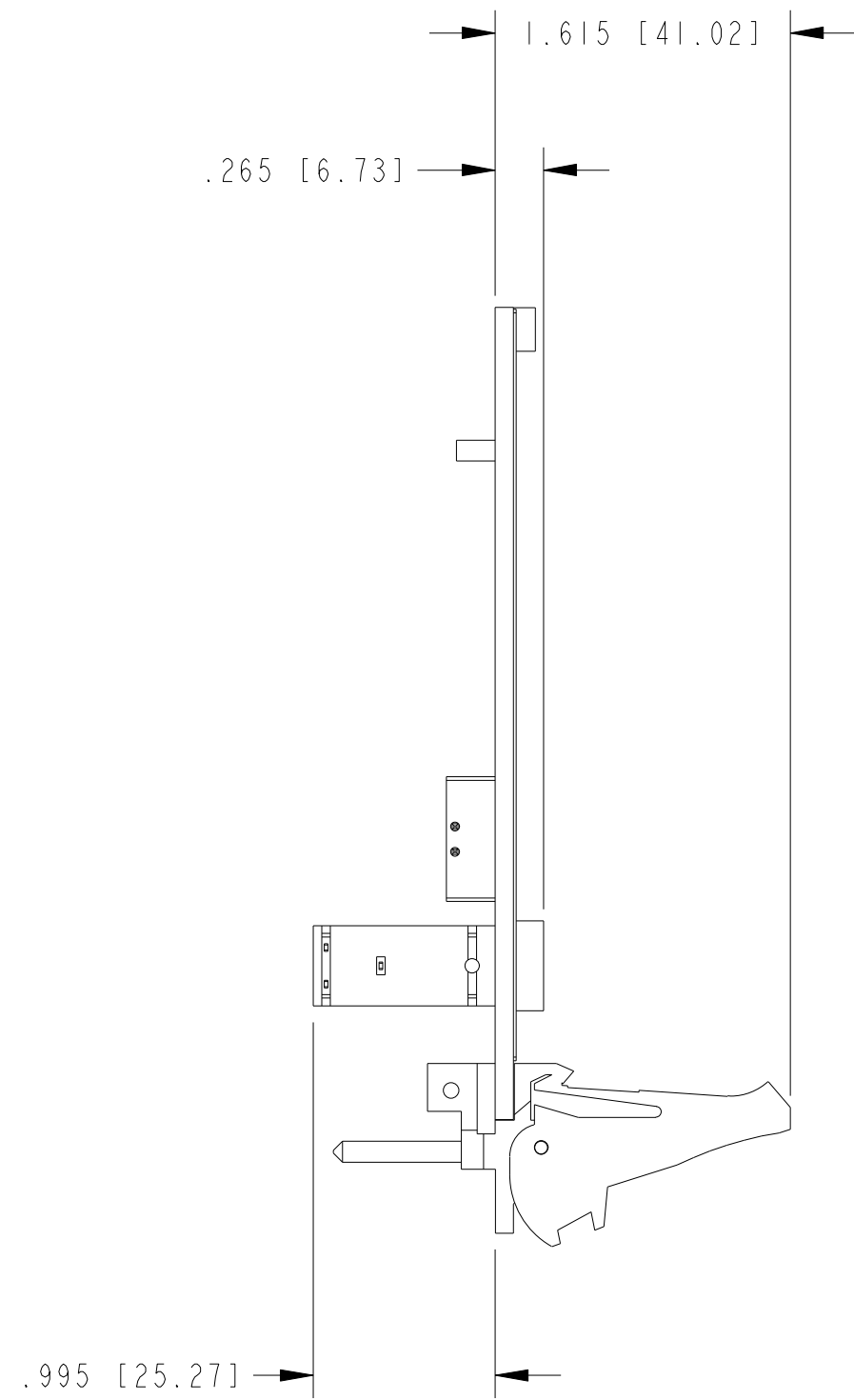
4

3

2

1

COPYRIGHT ©2008
NATIONAL INSTRUMENTS CORPORATION AND ITS LICENSORS. ALL RIGHTS RESERVED.

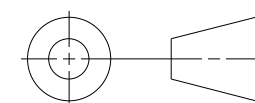


CUSTOMER DRAWING

UNLESS OTHERWISE SPECIFIED
DIMENSIONS ARE IN INCHES AND
[MILLIMETERS].

DO NOT SCALE DRAWING

THIRD ANGLE PROJECTION



AUSTIN, TEXAS

TITLE
 NI PXI-4110 TRIPLE-OUTPUT
 PROGRAMMABLE DC POWER SUPPLY

SIZE	CODE	IDENT NO.	MM/DD/YYYY
C	7U296		05/30/08

SCALE:	1/1	SHEET	1	OF	1
--------	-----	-------	---	----	---

4

3

2

1