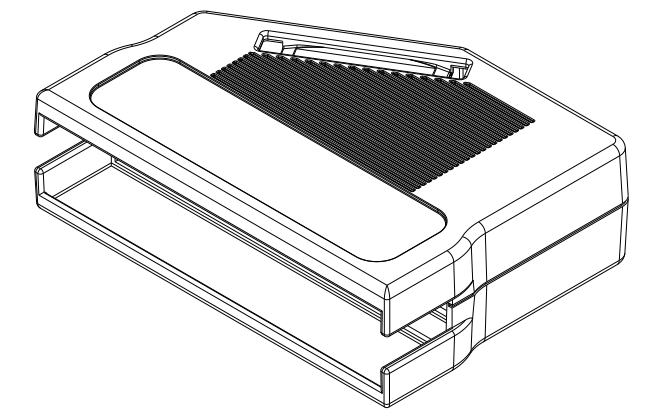
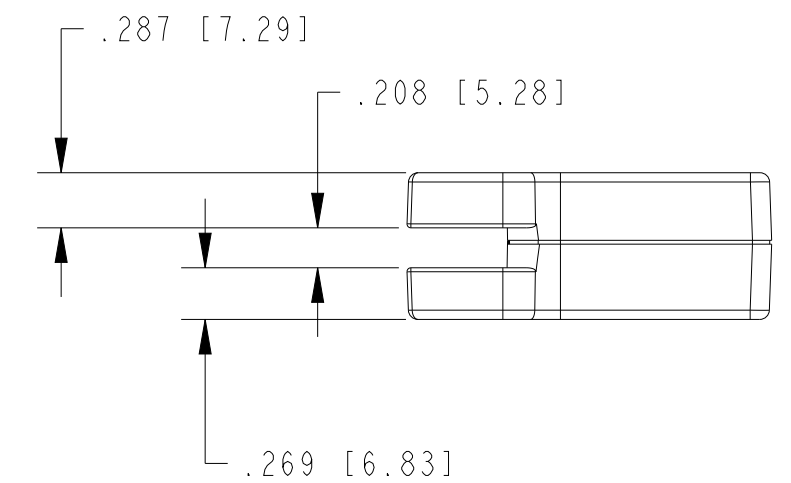
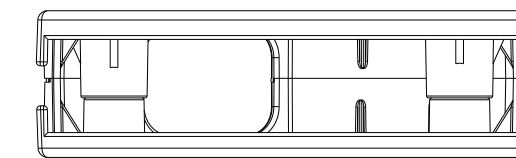
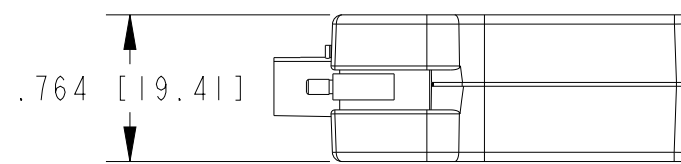
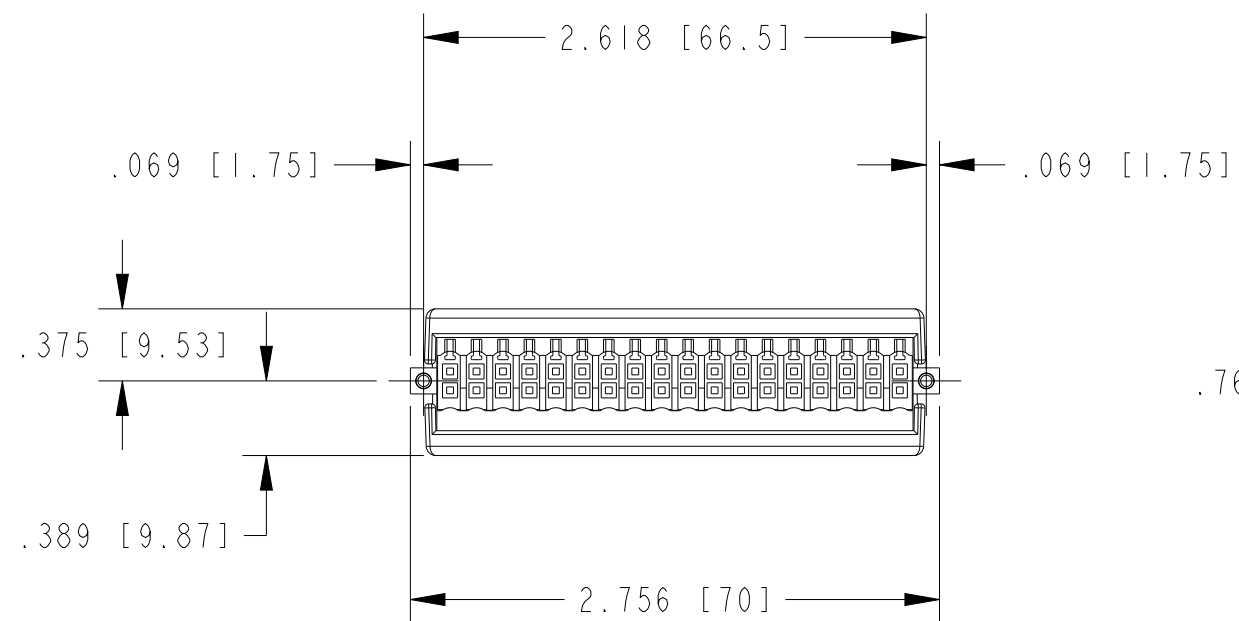
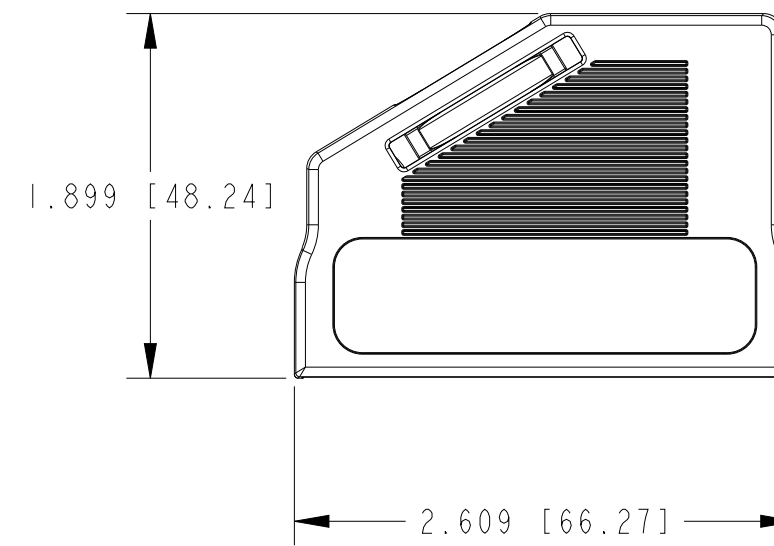
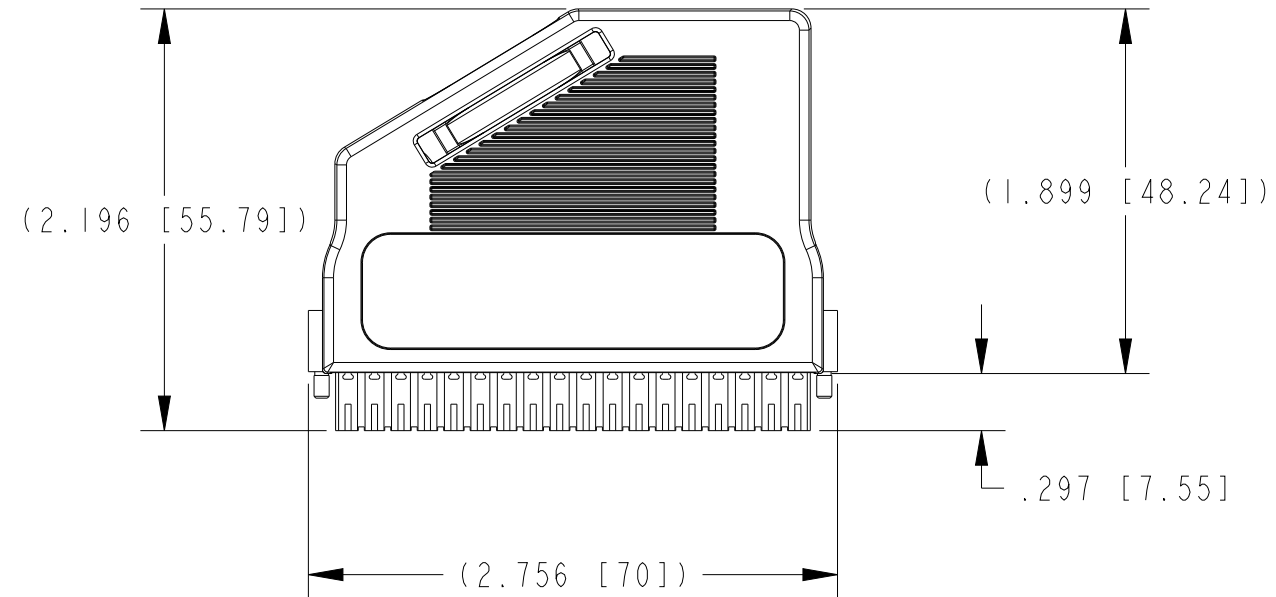


ISOMETRIC VIEW
 WITH 36 PIN CONNECTOR



ISOMETRIC VIEW
 BACKSHELL ONLY

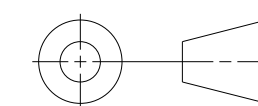


CUSTOMER DRAWING

UNLESS OTHERWISE SPECIFIED
 DIMENSIONS ARE IN INCHES AND
 [MILLIMETERS].

DO NOT SCALE DRAWING

THIRD ANGLE PROJECTION



AUSTIN, TEXAS

TITLE

NI 9940
 36 PIN WEIDMULLER
 CONNECTOR BLOCK

SIZE CODE IDENT NO. MM/DD/YYYY

C7U296

03/11/2016

SCALE: 1/1

SHEET 1 OF 1

2. DIMENSIONS IN () ARE FOR REFERENCE ONLY.

1. REFER TO PRODUCT MANUAL ON NI.COM FOR MORE DETAILS

NOTES: UNLESS OTHERWISE SPECIFIED.