

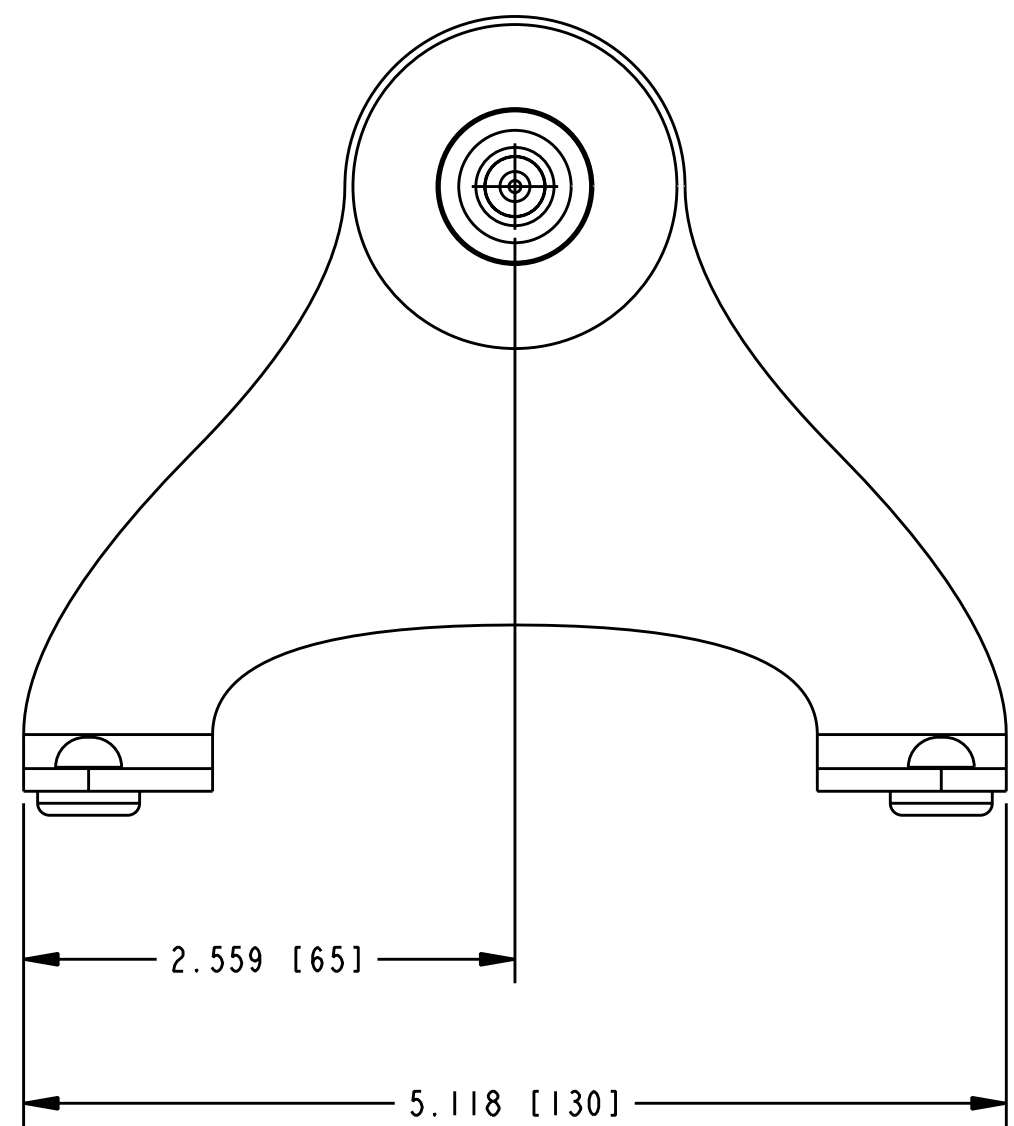
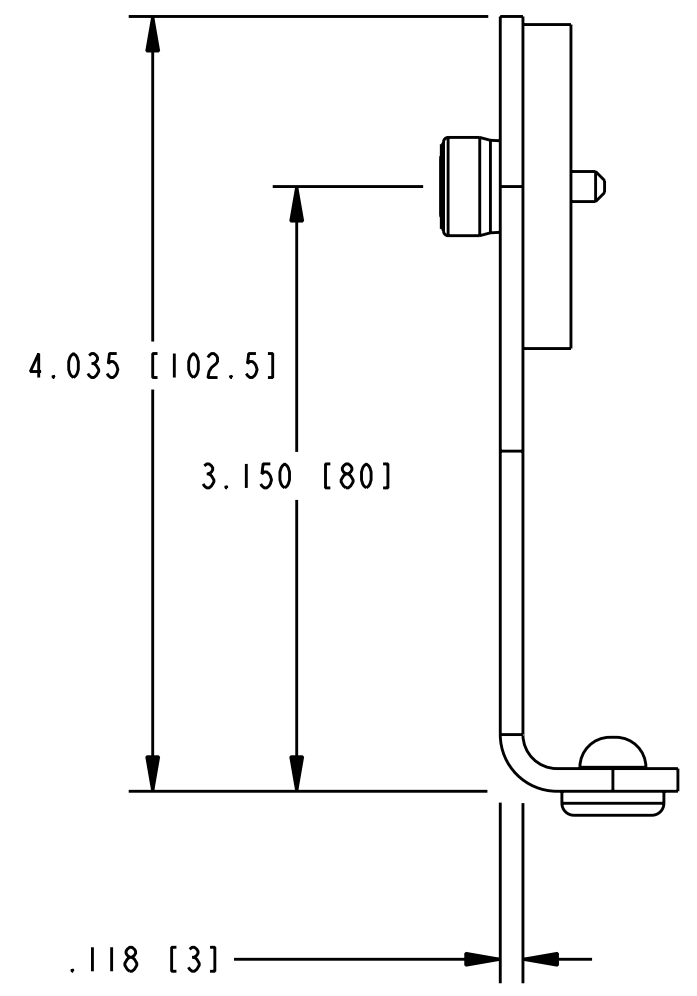
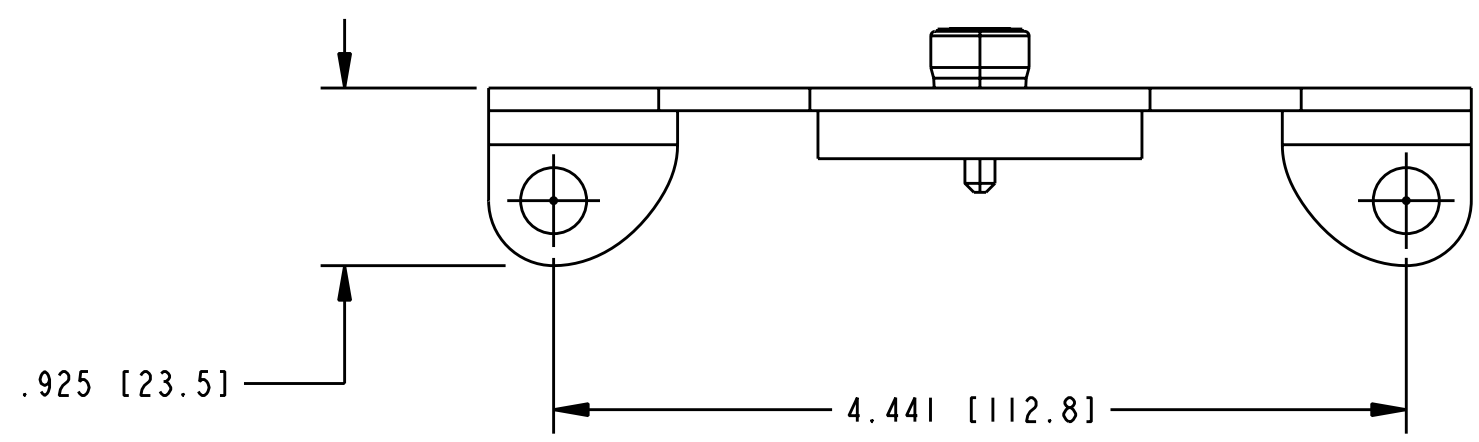
4

3

2

1

COPYRIGHT ©2008  
NATIONAL INSTRUMENTS CORPORATION AND ITS LICENSORS. ALL RIGHTS RESERVED.

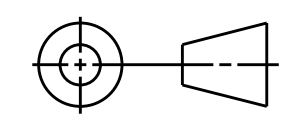


CUSTOMER DRAWING

UNLESS OTHERWISE SPECIFIED  
DIMENSIONS ARE IN INCHES AND  
[MILLIMETERS].

DO NOT SCALE DRAWING

THIRD ANGLE PROJECTION



<b>NATIONAL INSTRUMENTS®</b>		AUSTIN, TEXAS
TITLE		
DESKTOP BRACKET		
SIZE	CODE IDENT NO.	MM/DD/YYYY
C	7U296	09/24/2008
SCALE:	1/1	SHEET 1 OF 2

4

3

2

1

D

D

C

C

B

B

A

A

4

3

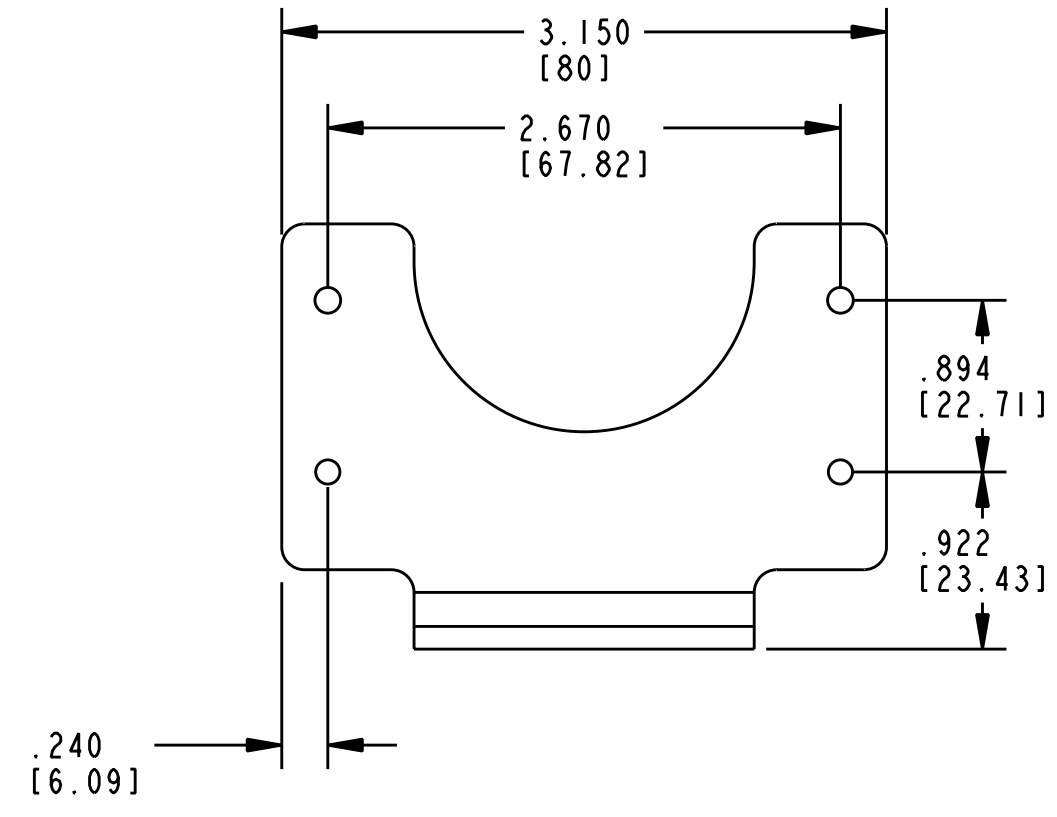
2

1

COPYRIGHT ©2008  
NATIONAL INSTRUMENTS CORPORATION AND ITS LICENSORS. ALL RIGHTS RESERVED.

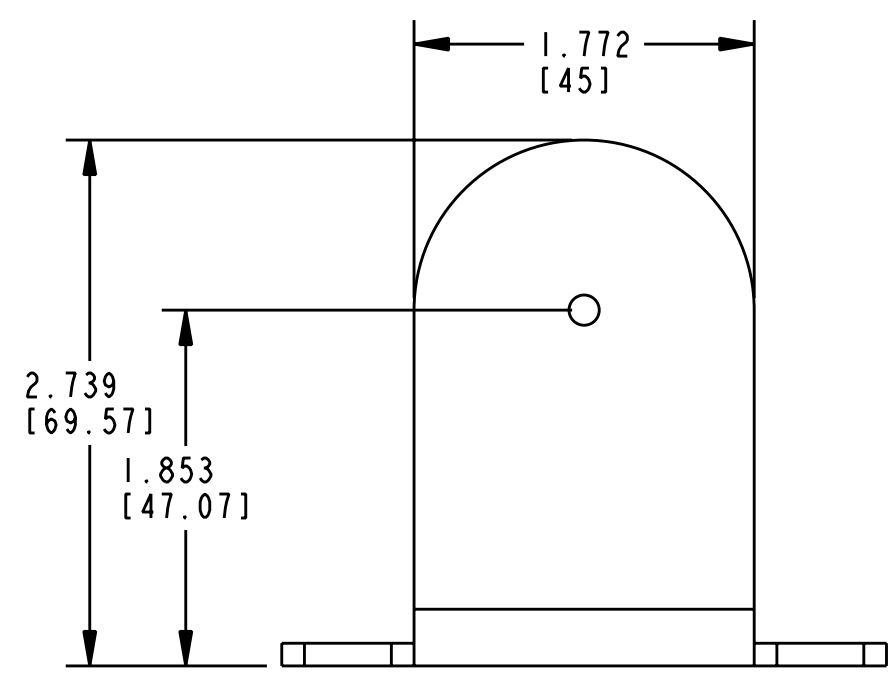
D

D



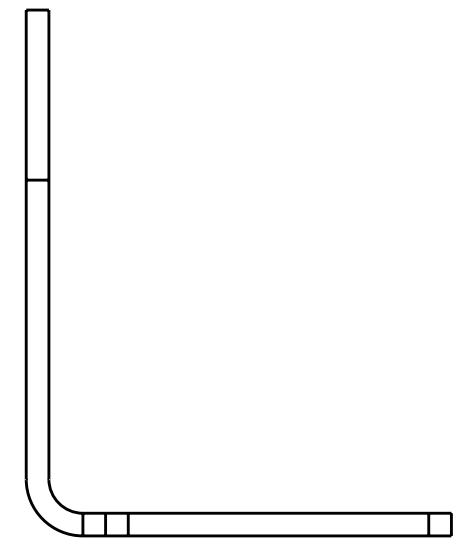
C

C



B

B



A

A

4

3

2

1

SIZE	CODE	IDENT NO.	MM/DD/YYYY
C	7U296		09/24/2008
SCALE: 1/1		SHEET 2 OF 2	