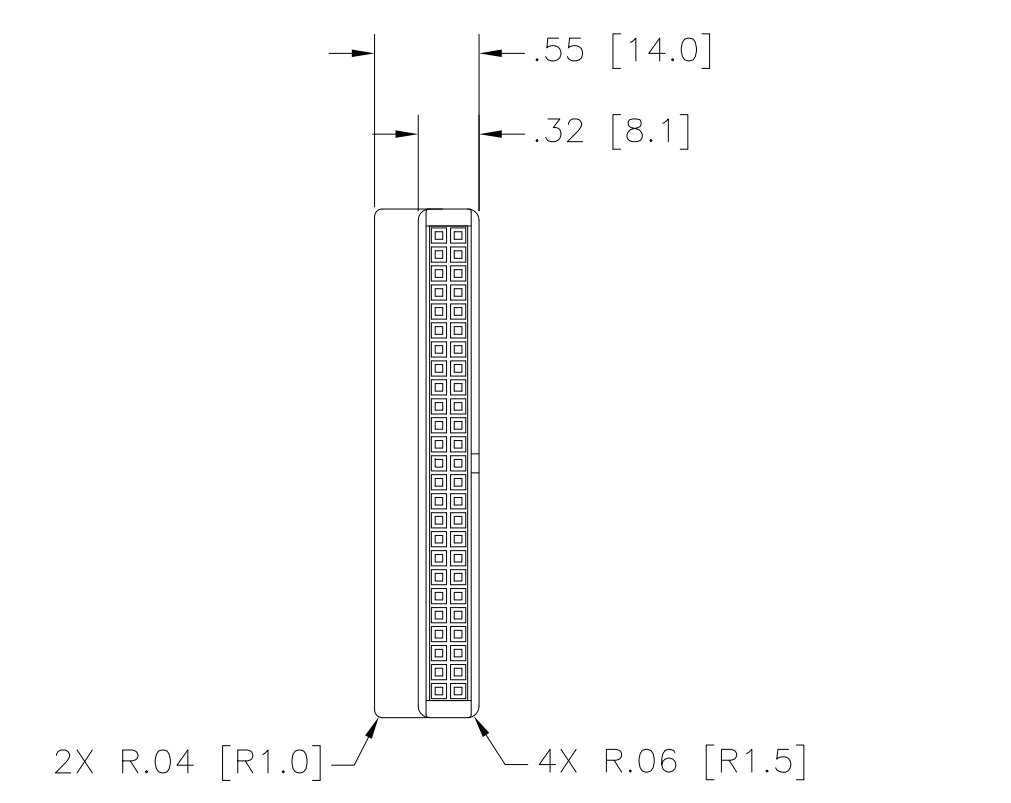
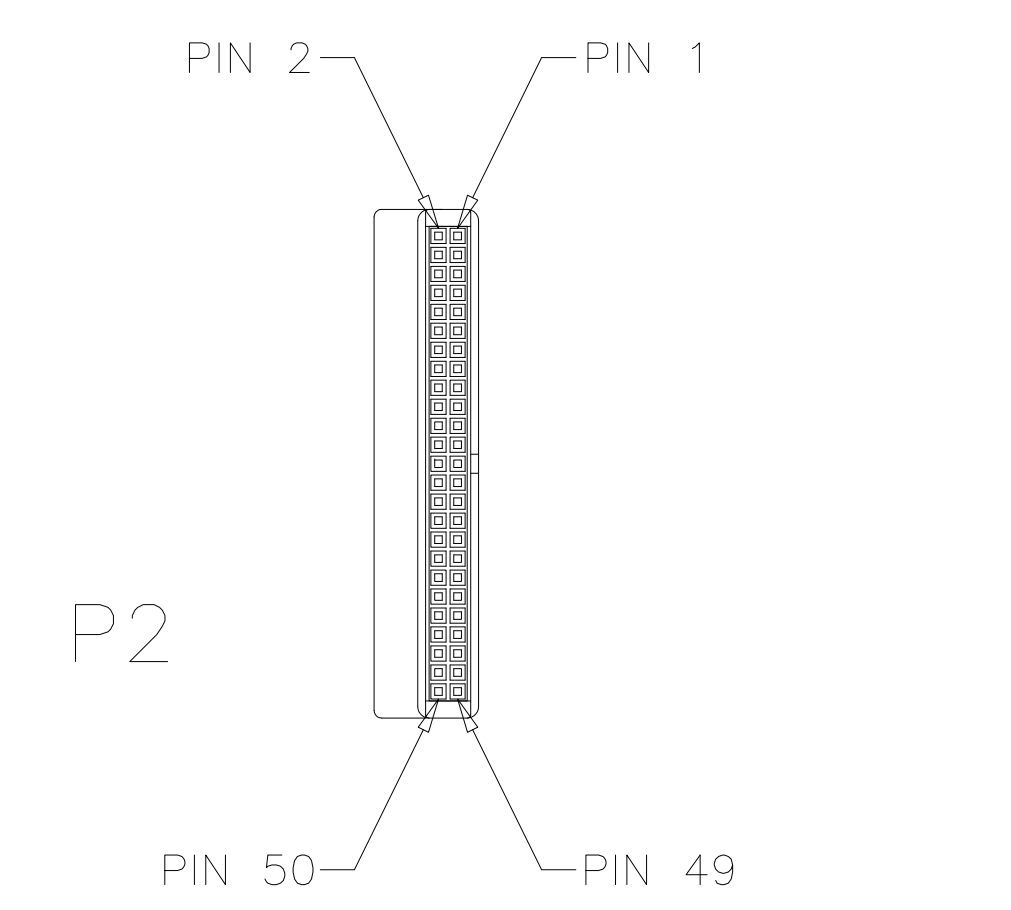
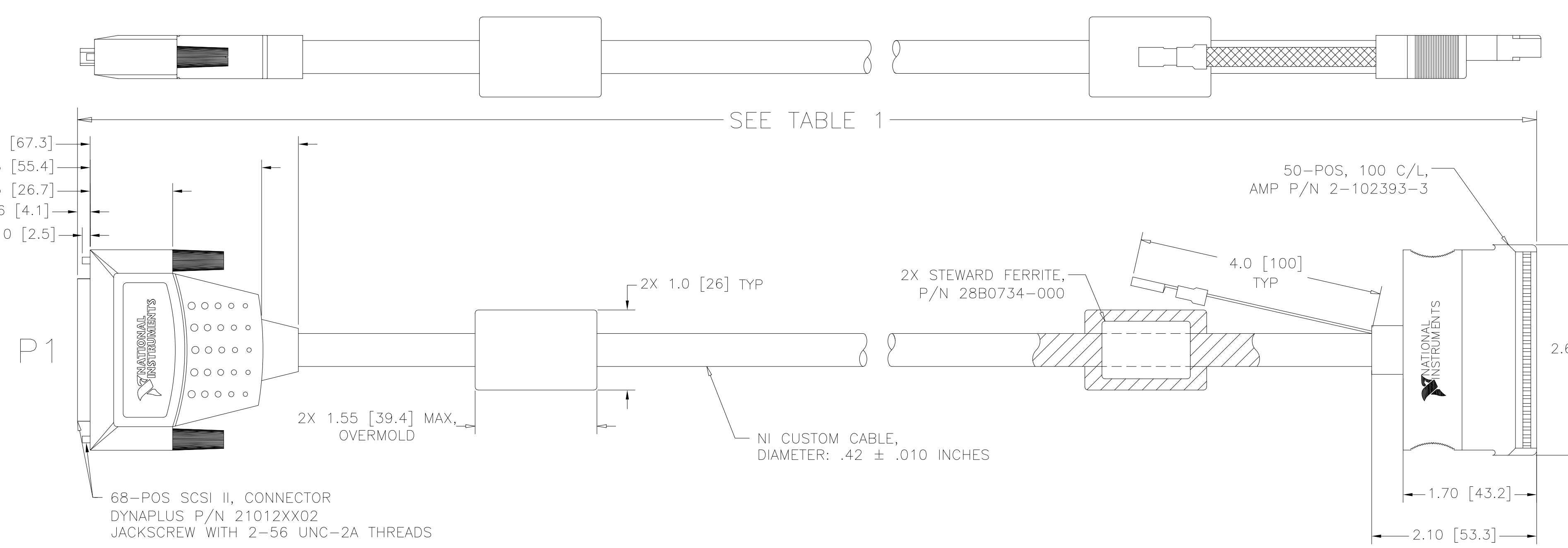
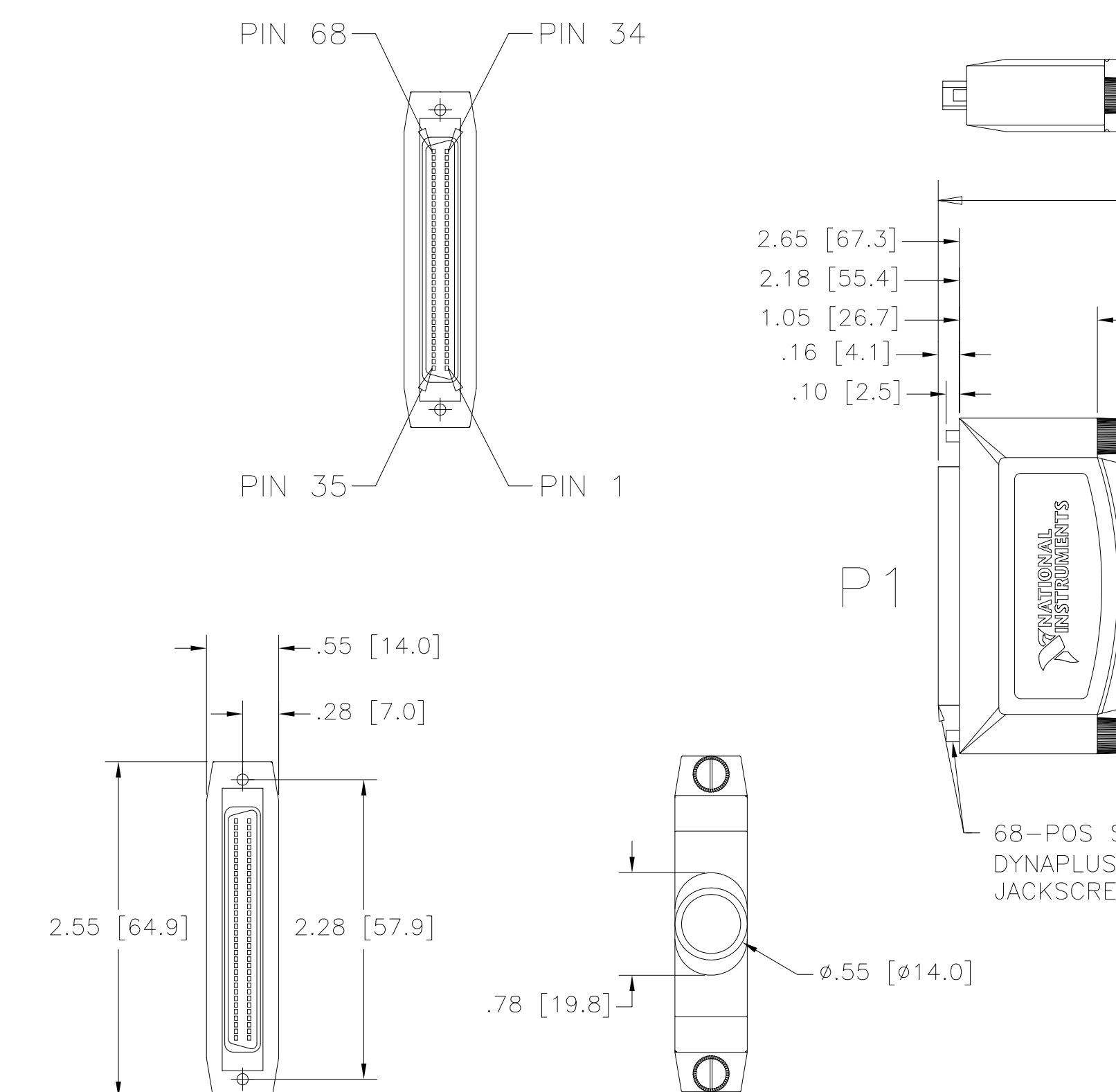
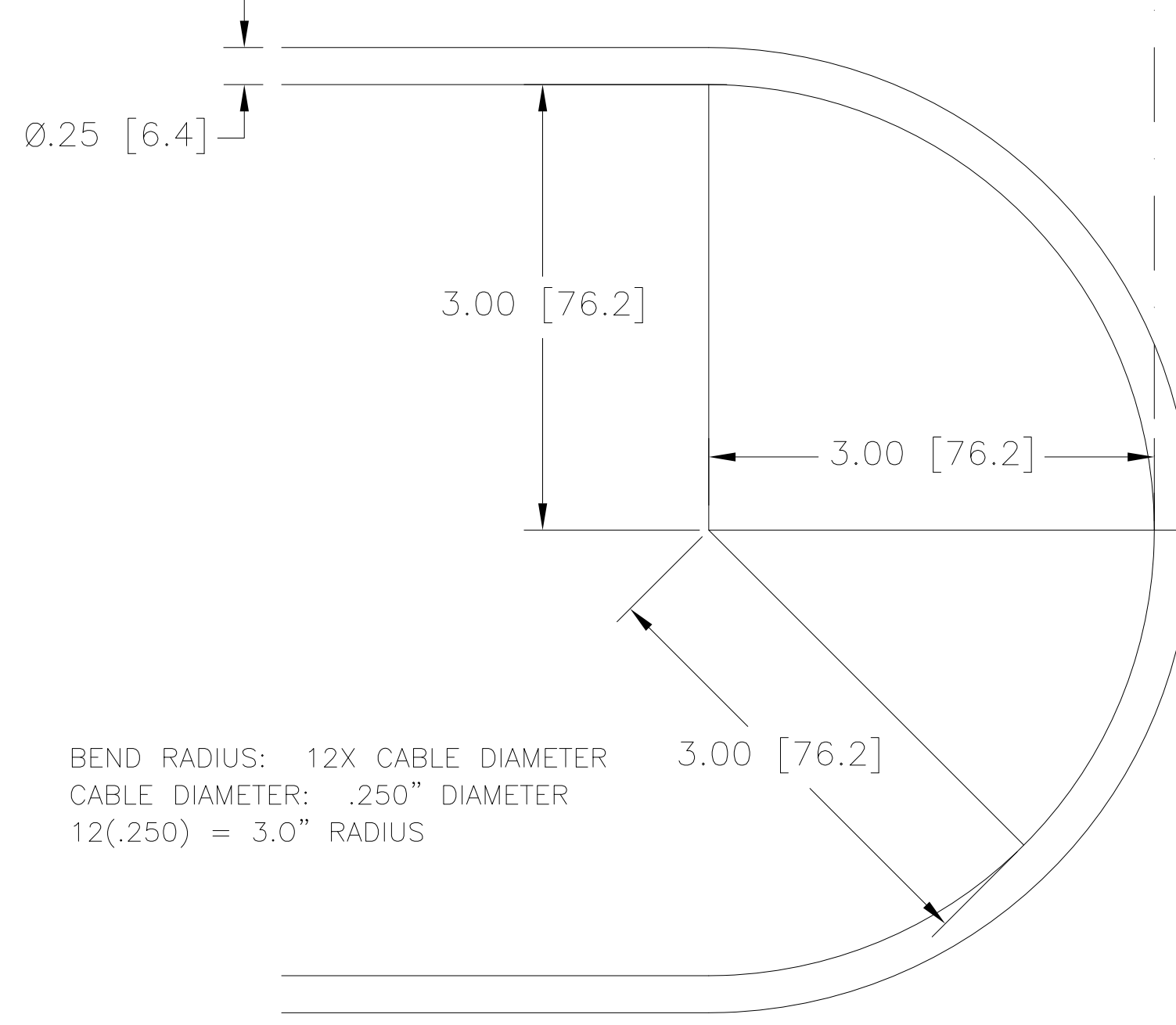


CUSTOMER DRAWING COMPATIBILITY			
REV	DESCRIPTION	DATE	APPROVED
B	DRAWING COMPATIBLE, OBSOLETE		
C	DRAWING COMPATIBLE, OBSOLETE		
D	DRAWING COMPATIBLE, OBSOLETE		
E	DRAWING COMPATIBLE, RELEASED		



WIRE LIST		
P1 68-POS	MAIN COLOR/RING COLOR MAIN COLOR/LINE COLOR	P2 50-POS
PIN NO	COLOR CODE	PIN NO
65	WHITE/BLACK	7
31	BLACK/WHITE	8
64	SHIELD 1	1,2
63	WHITE/BROWN	10
30	BROWN/WHITE	9
29	SHIELD 2	1,2
57	WHITE/RED	17
23	RED/WHITE	18
56	SHIELD 3	1,2
68	WHITE/ORANGE	3
34	ORANGE/WHITE	4
67	SHIELD 4	1,2
66	WHITE/GREEN	6
33	GREEN/WHITE	5
32	SHIELD 5	1,2
58	WHITE/BLUE	16
25	BLUE/WHITE	15
24	SHIELD 6	1,2
60	WHITE/VIOLET	13
26	VIOLET/WHITE	14
59	SHIELD 7	1,2
61	WHITE/GRAY	12
28	GRAY/WHITE	11
27	SHIELD 8	1,2
46	BLACK/ORANGE	36
13	ORANGE/BLACK	24,33
49	BLACK/YELLOW	29
15	YELLOW/BLACK	24,33
50	BLACK/GREEN	24,33
17	GREEN/BLACK	27
52	BLACK/BLUE	25
18	BLUE/BLACK	24,33
53	BLACK/VIOLET	24,33
19	VIOLET/BLACK	26
35	BLACK/GRAY	24,33
1	GRAY/BLACK	50
36	BROWN/RED	24,33
2	RED/BROWN	49
38	BROWN/ORANGE	46
4	ORANGE/BROWN	24,33
39	BROWN/YELLOW	24,33
6	YELLOW/BROWN	44
40	BROWN/GREEN	43
7	GREEN/BROWN	24,33
43	BROWN/BLUE	40
9	BLUE/BROWN	24,33
44	BROWN/VIOLET	24,33
10	VIOLET/BROWN	39
45	BROWN/GRAY	37
12	GRAY/BROWN	24,33

WIRE LIST (CONT)		
P1 68-POS	MAIN COLOR/RING COLOR MAIN COLOR/LINE COLOR	P2 50-POS
PIN NO	COLOR CODE	PIN NO
22	BROWN/BLACK	20
54	SHIELD 9	23
21	RED/BLACK	21
55	SHIELD 10	23
62	WHITE/YELLOW	19
20	RED/BLUE	22
51	BLUE/RED	28
42	RED/VIOLET	41
48	GRAY/RED	32
11	ORANGE/YELLOW	38
47	YELLOW/ORANGE	31
41	ORANGE/GREEN	42
5	GREEN/ORANGE	45
37	ORANGE/BLUE	47
3	BLUE/ORANGE	48
16	ORANGE/VIOLET	30
8	VIOLET/RED	35
14	RED/GRAY	34
SHELL	OUTER SHIELD AND DRAIN	COPPER TAPE



BEND RADIUS EXAMPLE

**CONDUCTOR SPECIFICATIONS:**

CONDUCTOR: 28AWG 7/36 TIN PLATED COPPER, .015 INCH DIAMETER  
 INSULATION: .0075 INCHES OF POLYPROPYLENE, .030 INCH DIAMETER  
 BEND RADIUS: 12X CABLE DIAMETER (SEE EXAMPLE) PER SPECIFICATIONS  
 2014 NEC SECTION 300.34 CONDUCTOR BEND RADIUS  
 2014 NEC SECTION 300.24 BENDING RADIUS

1. REFER TO PRODUCT MANUAL ON NI.COM FOR MORE DETAILS.  
 NOTES: UNLESS OTHERWISE SPECIFIED.

TABLE 1	
LENGTH	TOLERANCE
<2M	+5 CM/-0 CM
2 TO 5M	+10 CM/-0 CM
>5M	+15 CM/-0 CM

CUSTOMER DRAWING

UNLESS OTHERWISE SPECIFIED DIMENSIONS ARE IN INCHES AND [MILLIMETERS]

DO NOT SCALE DRAWING  
THIRD ANGLE PROJECTION

**NATIONAL INSTRUMENTS®** AUSTIN, TEXAS

TITLE: SH6850

SIZE: D 7U296 CODE IDENT NO.: 09/19/16 DRAWING NO.:  
 SCALE: 1/1 SHEET 1 OF 1