

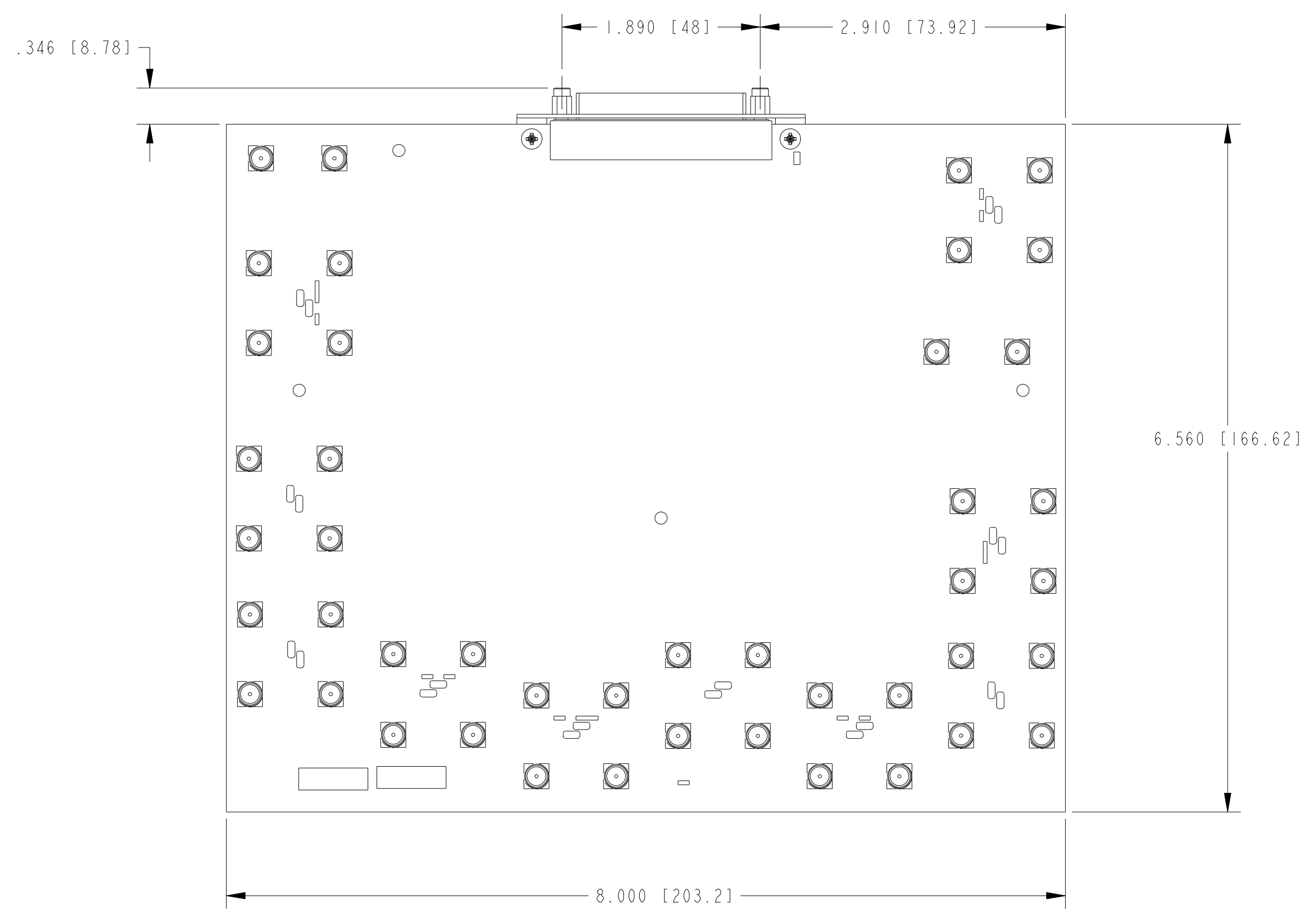
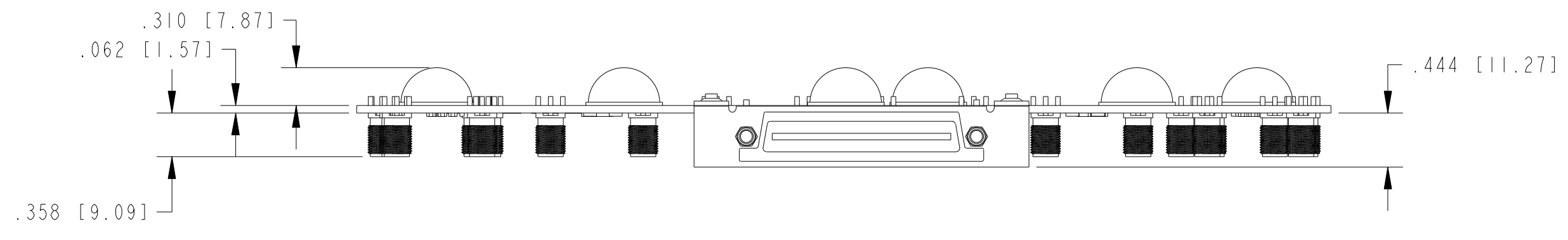
4

3

2

1

COPYRIGHT ©2007  
NATIONAL INSTRUMENTS CORPORATION AND ITS LICENSORS. ALL RIGHTS RESERVED.

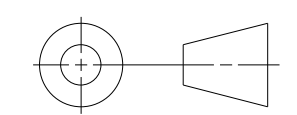


CUSTOMER DRAWING

UNLESS OTHERWISE SPECIFIED  
DIMENSIONS ARE IN INCHES AND  
[MILLIMETERS].

DO NOT SCALE DRAWING

THIRD ANGLE PROJECTION



<b>NATIONAL INSTRUMENTS®</b>		AUSTIN, TEXAS
TITLE		SMA-2164
SIZE	CODE IDENT NO.	MM/DD/YYYY
C	7U296	08/17/07
SCALE:	1/1	SHEET   OF

4

3

2

1

D

D

C

C

B

B

A

A