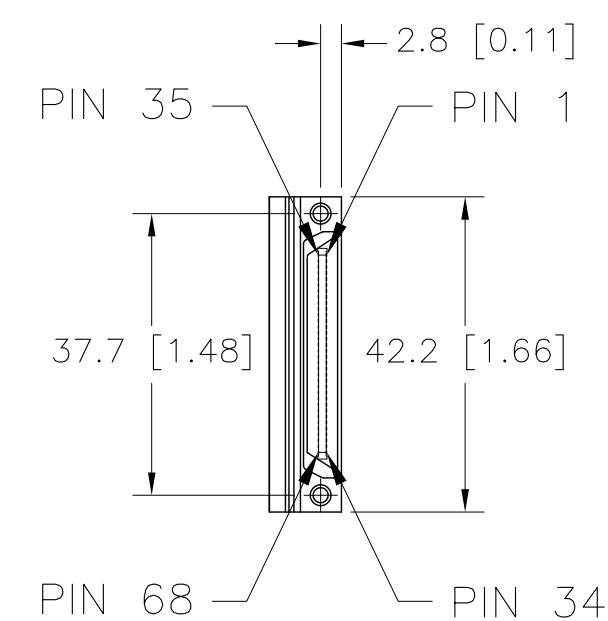
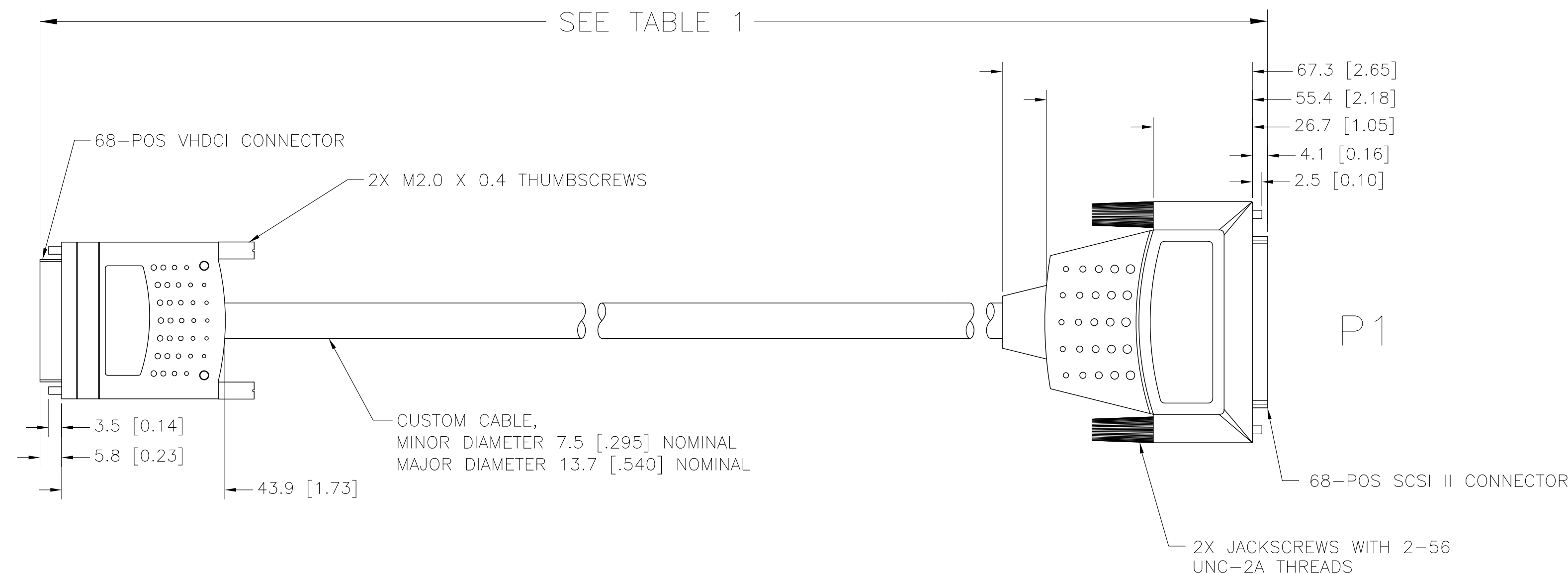


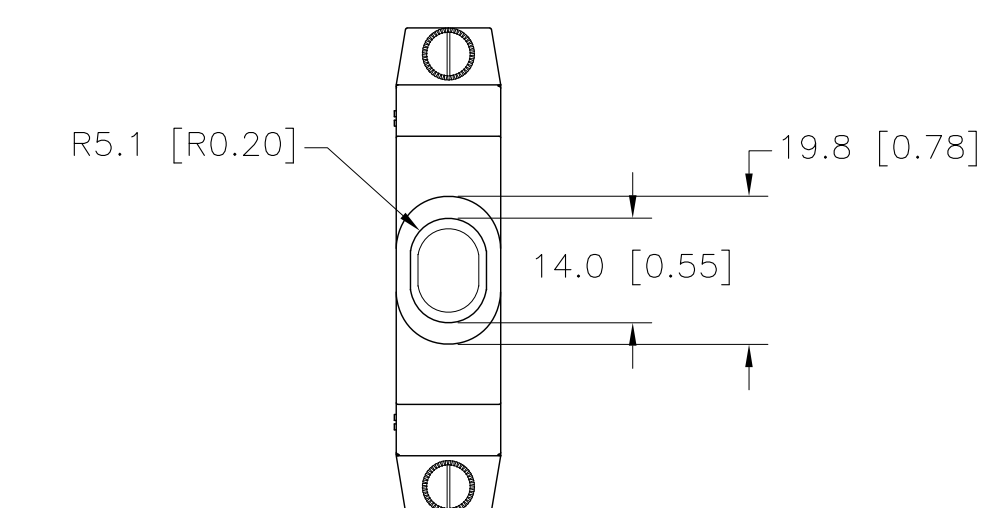
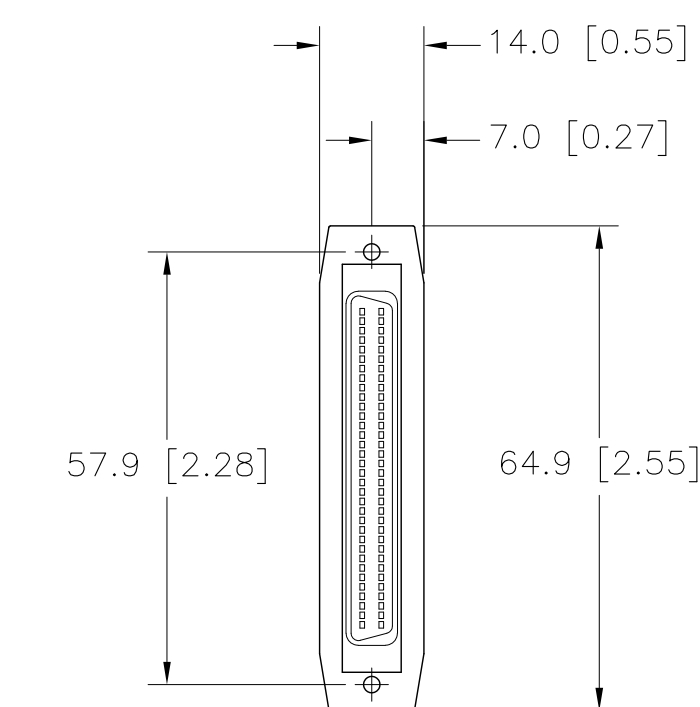
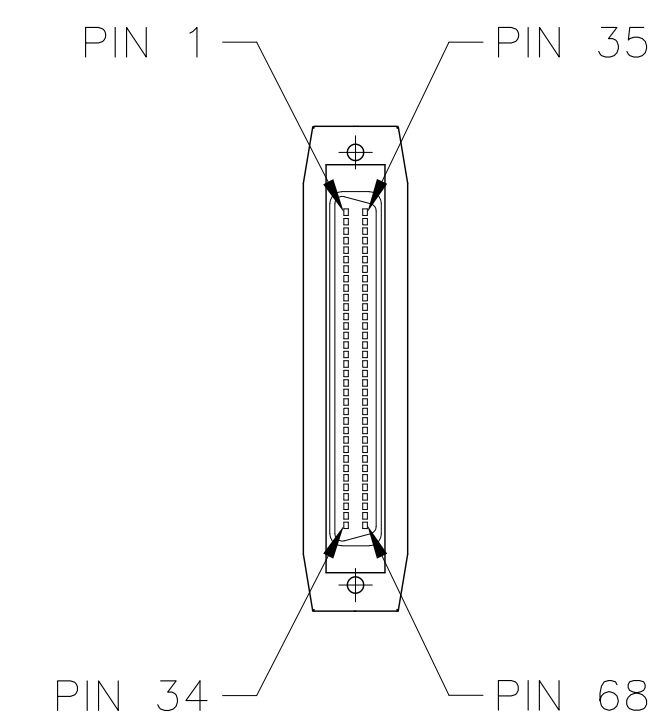
CUSTOMER DRAWING COMPATIBILITY			
REV	DESCRIPTION	DATE	APPROVED
A-D	DRAWING INCOMPATIBLE, OBSOLETE	11/07/23	
E	DRAWING COMPATIBLE, RELEASED	02/03/21	



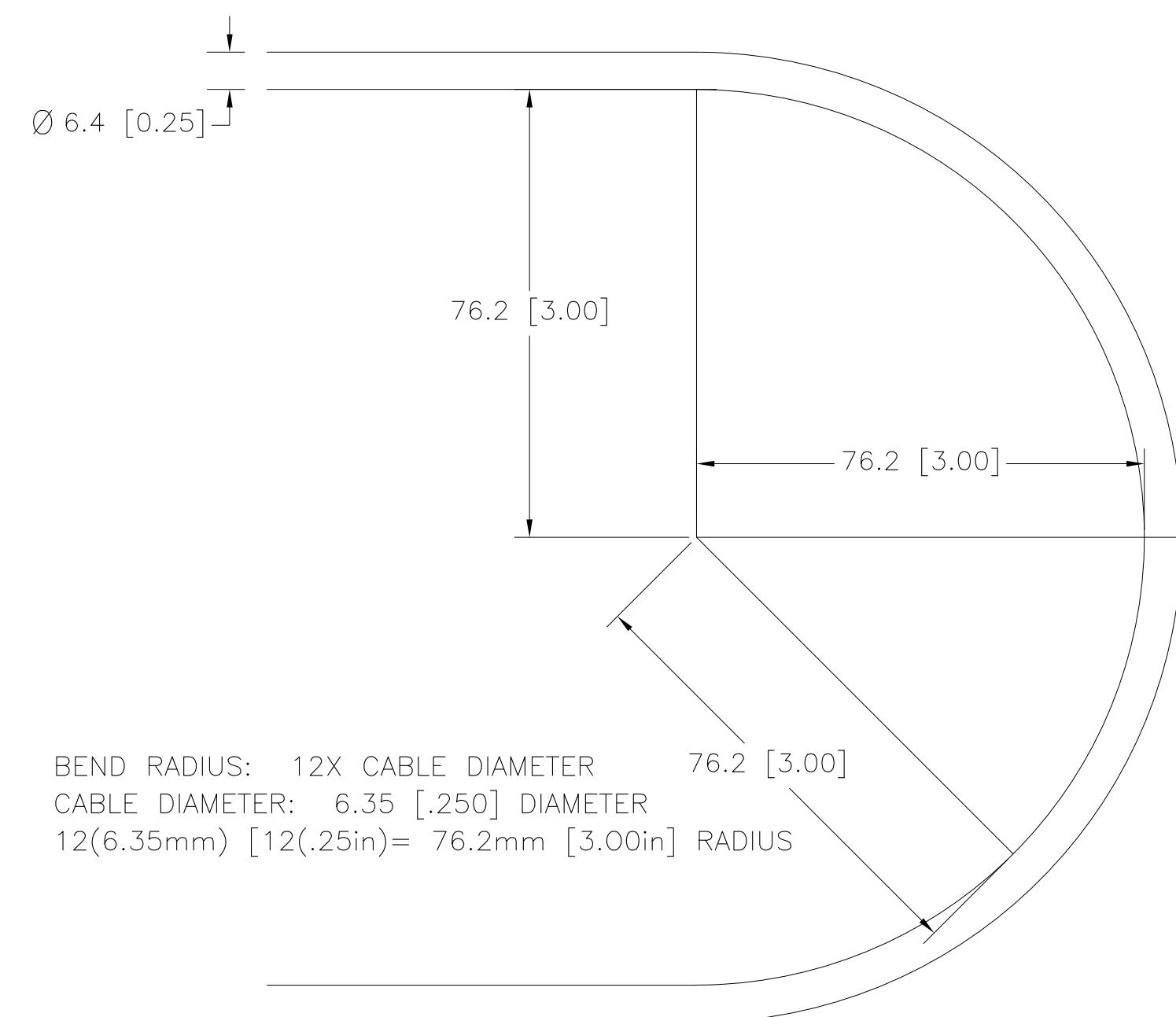
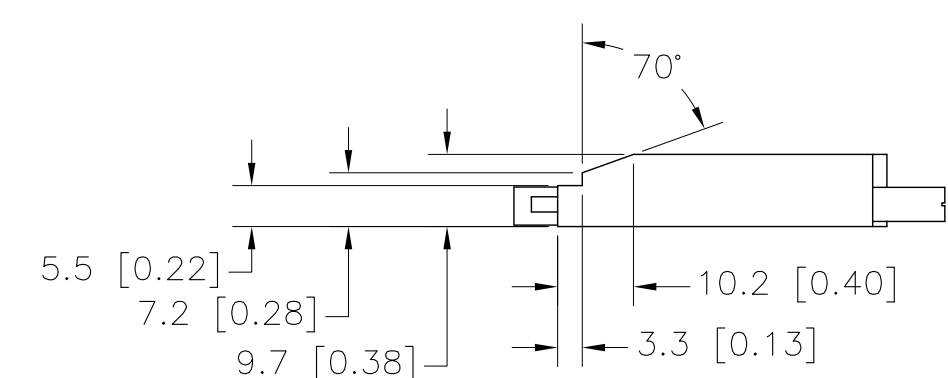
P2



P1



LENGTH	TOLERANCE
<2M	±50 mm
2 TO 5M	±100 mm
>5M	±150 mm



BEND RADIUS: 12X CABLE DIAMETER 76.2 [3.00]  
 CABLE DIAMETER: 6.35 [.250] DIAMETER  
 12(6.35mm) [12(.25in)] = 76.2mm [3.00in] RADIUS

BEND RADIUS EXAMPLE

CONDUCTOR SPECIFICATIONS:

CONDUCTOR: 30AWG 7/38 TIN PLATED COPPER, 0.30 [.012] DIAMETER  
 INSULATION: .006 INCHES OF POLYPROPYLENE, .024 INCH DIAMETER

BEND RADIUS: 12X CABLE DIAMETER (SEE EXAMPLE) PER SPECIFICATIONS  
 2014 NEC SECTION 300.34 CONDUCTOR BEND RADIUS  
 2014 NEC SECTION 300.24 BENDING RADIUS

1. REFER TO PRODUCT MANUAL ON NI.COM FOR MORE DETAILS.

NOTES: UNLESS OTHERWISE SPECIFIED.

<b>METRIC</b>		CUSTOMER DRAWING	
UNLESS OTHERWISE SPECIFIED DIMENSIONS ARE IN MILLIMETERS AND [INCHES]		NI.COM AUSTIN, TEXAS	
		TITLE SHC68-68-EPM	
DO NOT SCALE DRAWING THIRD ANGLE PROJECTION		SIZE CODE IDENT NO. DRAWING NO. D 7U296 192061-XX	
		SCALE: 1/1 SHEET 1 OF 2	

WIRE LIST						
ANALOG BUNDLE – 8 SHIELDED PAIRS, 2 TWISTED PAIRS, 2 SINGLES, OUTER SHIELD				P1 .050	P2 VHDCI	SIGNAL NAME
BUNDLE	PAIR NO	SINGLE NO	COLOR CODE	PIN NO	PIN NO	STC II
A	1		WHITE/BLACK	65	65	AI 2
			BLACK/WHITE	31	31	AI 10
		SHIELD 1			64	64
	2		WHITE/BROWN	63	63	AI 11
			BROWN/WHITE	30	30	AI 3
		SHIELD 2			29	29
	3		WHITE/RED	57	57	AI 7
			RED/WHITE	23	23	AI 15
		SHIELD 3			56	56
	4		WHITE/ORANGE	68	68	AI 0
			ORANGE/WHITE	34	34	AI 8
		SHIELD 4			67	67
	5		WHITE/GREEN	66	66	AI 9
			GREEN/WHITE	33	33	AI 1
		SHIELD 5			32	32
	6		WHITE/BLUE	58	58	AI 14
			BLUE/WHITE	25	25	AI 6
		SHIELD 6			24	24
	7		WHITE/VIOLET	60	60	AI 5
			VIOLET/WHITE	26	26	AI 13
		SHIELD 7			59	59
	8		WHITE/GRAY	61	61	AI 12
			GRAY/WHITE	28	28	AI 4
		SHIELD 8			27	27
	9		BROWN/BLACK	22	22	AO 0
			BLACK/BROWN	54	54	AO GND 0
	10		RED/BLACK	21	21	AO 1
			BLACK/RED	55	55	AO GND 1
1		WHITE/YELLOW	62	62	AI SENSE 1	
2		RED/BLUE	20	20	APFI 0	
	CORE SHIELD			54	54	AO GND 0

WIRE LIST (CONT.)						
DIGITAL BUNDLE – 12 PAIRS (B), 12 TWISTED PAIRS/2 SINGLES (C)				P1 .050	P2 VHDCI	SIGNAL NAME
BUNDLE	PAIR NO	COLOR CODE	PIN NO	PIN NO	STC II	
B	1	BLACK/VIOLET	53	53	D GND	
		VIOLET/BLACK	19	19	P0.4	
	2	BLACK/BLUE	52	52	P0.0	
		BLUE/BLACK	18	18	D GND	
	3	BLUE/GREEN	51	51	P0.5	
		GREEN/BLUE	18	18	D GND	
	4	BLACK/GREEN	50	50	D GND	
		GREEN/BLACK	17	17	P0.1	
	5	VIOLET/ORANGE	50	50	D GND	
		ORANGE/VIOLET	16	16	P0.6	
	6	BLACK/YELLOW	49	49	P0.2	
		YELLOW/BLACK	15	15	D GND	
	7	GRAY/RED	48	48	P0.7	
		RED/GRAY	15	15	D GND	
	8	YELLOW/ORANGE	47	47	P0.3	
		ORANGE/YELLOW	13	13	D GND	
	9	BLACK/ORANGE	46	46	PFI 11/P2.3	
		ORANGE/BLACK	13	13	D GND	
	10	BROWN/GRAY	45	45	PFI 10/P2.2	
		GRAY/BROWN	12	12	D GND	
	11	RED/ORANGE	44	44	D GND	
		ORANGE/RED	11	11	PFI 0/P1.0	
	12	PINK/BLACK	44	44	D GND	
		BLACK/PINK	10	10	PFI 1/P1.1	
1	BROWN/VIOLET	43	43	PFI 2/P1.2		
	VIOLET/BROWN	9	9	D GND		
2	BROWN/BLUE	42	42	PFI 3/P1.3		
	BLUE/BROWN	9	9	D GND		
3	RED/YELLOW	41	41	PFI 4/P1.4		
	YELLOW/RED	7	7	D GND		
4	YELLOW/GREEN	40	40	PFI 13/P2.5		
	GREEN/YELLOW	7	7	D GND		
5	BROWN/GREEN	35	35	D GND		
	GREEN/BROWN	6	6	PFI 5/P1.5		
6	BROWN/YELLOW	39	39	PFI 15/P2.7		
	YELLOW/BROWN	7	7	D GND		
7	ORANGE/GREEN	4	4	D GND		
	GREEN/ORANGE	5	5	PFI 6/P1.6		
8	BROWN/ORANGE	38	38	PFI 7/P1.7		
	ORANGE/BROWN	4	4	D GND		
9	YELLOW/BLUE	37	37	PFI 8/P2.0		
	BLUE/YELLOW	4	4	D GND		
10	ORANGE/BLUE	36	36	D GND		
	BLUE/ORANGE	3	3	PFI 9/P2.1		
11	BROWN/RED	36	36	D GND		
	RED/BROWN	2	2	PFI 12/P2.4		
12	BLACK/GRAY	35	35	D GND		
	GRAY/BLACK	1	1	PFI 14/P2.6		
	SINGLE	ORANGE/GRAY	8	8	+5V	
	SINGLE	VIOLET/RED	14	14	+5V	
	OUTER SHIELD		SHELL	SHELL	SHIELD	